

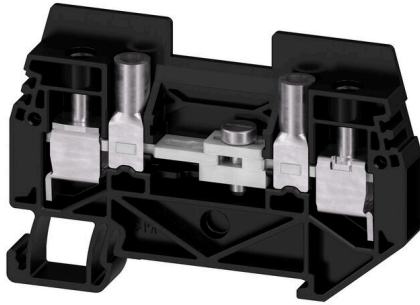
WTL 6 STB SW**Weidmüller Interface GmbH & Co. KG**

Klingenbergstraße 26

D-32758 Detmold

Germany

www.weidmueller.com

**Current and voltage transformer wiring**

Our test disconnect terminal blocks featuring spring and screw connection technology allow you to create all the important converter circuits for measuring current, voltage and power in a safe and sophisticated way.

General ordering data

Version	Measuring transformer disconnect terminal, Screw connection, 500, 41, 2
Order No.	2863900000
Type	WTL 6 STB SW
GTIN (EAN)	4064675598787
Qty.	50 items

WTL 6 STB SW

Weidmüller Interface GmbH & Co. KG

Klingenbergstraße 26

D-32758 Detmold

Germany

www.weidmueller.com

Technical data

Approvals

Approvals



ROHS Conform

UL File Number Search [UL Website](#)

Certificate No. (UR) E60693

Dimensions and weights

Depth	46.5 mm	Depth (inches)	1.8307 inch
Depth including DIN rail	47.5 mm	Height	69 mm
Height (inches)	2.7165 inch	Width	7.9 mm
Width (inches)	0.311 inch	Net weight	23.1 g

Temperatures

Storage temperature	-25 °C...55 °C	Continuous operating temp., min.	-60 °C
Continuous operating temp., max.	130 °C		

Environmental Product Compliance

RoHS Compliance Status	Compliant without exemption
REACH SVHC	No SVHC above 0.1 wt%

Material data

Basic material	Wemid	Colour	black
UL 94 flammability rating	V-0		

System specifications

End cover plate required	Yes	Number of potentials	1
Number of levels	1	Number of clamping points per level	2
Number of potentials per tier	1	Mounting rail	TS 35
N-function	No	PE function	No
PEN function	No		

Additional technical data

Open sides	right	Explosion-tested version	No
Type of mounting	Snap-on		

Conductors for clamping (additional connection)

Connection type, additional connection Screw connection

Conductors for clamping (rated connection)

Gauge to IEC 60947-1	A5	Wire connection cross section AWG, max.	AWG 8
Connection direction	on side	Tightening torque, max.	1.2 Nm
Tightening torque, min.	0.8 Nm	Stripping length	12 mm
Type of connection	Screw connection	Number of connections	2

WTL 6 STB SW

Weidmüller Interface GmbH & Co. KG

Klingenbergstraße 26
D-32758 Detmold
Germany

www.weidmueller.com

Technical data

Clamping range, max.	10 mm ²	Clamping range, min.	0.5 mm ²
Clamping screw	M 3.5	Blade size	0.8 x 4.0 mm
Wire connection cross section AWG, min.	AWG 20	Wire connection cross-section, finely stranded with wire-end ferrules DIN 46228/4, max.	6 mm ²
Wire connection cross-section, finely stranded with wire-end ferrules DIN 46228/4, min.	0.5 mm ²	Wire connection cross-section, finely stranded with wire-end ferrules DIN 46228/1, max.	6 mm ²
Wire connection cross-section, finely stranded with wire-end ferrules DIN 46228/1, min.	0.5 mm ²	Wire connection cross section, finely stranded, max.	6 mm ²
Wire connection cross section, finely stranded, min.	0.5 mm ²	Connection cross-section, stranded, max.	10 mm ²
Connection cross-section, stranded, min.	0.5 mm ²	Wire connection cross-section, solid core, max.	10 mm ²
Wire connection cross-section, solid core, min.	0.5 mm ²		

General

Wire connection cross section AWG, max.	AWG 8	Wire connection cross section AWG, min.	AWG 20
Standards	IEC 60947-7-1	Mounting rail	TS 35

Rating data

Rated cross-section	6 mm ²	Rated voltage	500 V
Rated DC voltage	500 V	Nominal current	41 A
Current at maximum wires	41 A	Standards	IEC 60947-7-1
Volume resistance according to IEC 60947-7-x	0.78 mΩ	Rated impulse withstand voltage	6 kV
Power loss in accordance with IEC 60947-7-x	1.31 W	Pollution severity	3

UL rating data

Voltage size B (UR)	300 V	Current size B (UR)	30 A
Conductor size Factory wiring max. (UR)	8 AWG	Current size D (UR)	10 A
Current size C (UR)	30 A	Voltage size C (UR)	150 V
Conductor size Factory wiring min. (UR)	20 AWG	Certificate No. (UR)	E60693
Conductor size Field wiring min. (UR)	20 AWG	Voltage size D (UR)	300 V
Conductor size Field wiring max. (UR)	8 AWG		

Classifications

ETIM 8.0	EC000902	ETIM 9.0	EC000902
ETIM 10.0	EC000902	ECLASS 14.0	27-25-01-09
ECLASS 15.0	27-25-01-09		

Drawings



WTL 6 STB SW

Weidmüller Interface GmbH & Co. KG

Klingenbergstraße 26

D-32758 Detmold

Germany

www.weidmueller.com

Accessories

Cross-connections



The distribution or multiplication of a potential to adjoining terminal blocks is realized via a cross-connection. Additional wiring effort can be easily avoided. Even if the poles are broken out, contact reliability in the terminal blocks is still ensured. Our portfolio offers pluggable and screwable cross-connection systems for modular terminal blocks.

General ordering data

Type	SAKQB 6/2	Version
Order No.	2615330000	Cross-connector (terminal), when screwed in, grey, Number of poles:
GTIN (EAN)	4050118655797	2, Pitch in mm (P): 8.00, Insulated: No, Width: 6 mm
Qty.	20 ST	
Type	SAKQB 6/3	Version
Order No.	2615340000	Cross-connector (terminal), when screwed in, grey, Number of poles:
GTIN (EAN)	4050118655780	3, Pitch in mm (P): 8.00, Insulated: No, Width: 6 mm
Qty.	20 ST	

Accessorie

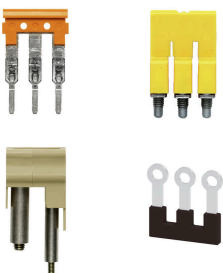


Current and voltage transformer wiring
Our test disconnect terminal blocks featuring spring and screw connection technology allow you to create all the important converter circuits for measuring current, voltage and power in a safe and sophisticated way.

General ordering data

Type	SAKQB 6/4	Version
Order No.	2615360000	Cross-connector (terminal), when screwed in, grey, Number of poles:
GTIN (EAN)	4050118655858	4, Pitch in mm (P): 8.00, Insulated: No, Width: 6 mm
Qty.	20 ST	

Cross-connections



The distribution or multiplication of a potential to adjoining terminal blocks is realized via a cross-connection. Additional wiring effort can be easily avoided. Even if the poles are broken out, contact reliability in the terminal blocks is still ensured. Our portfolio offers pluggable and screwable cross-connection systems for modular terminal blocks.

WTL 6 STB SW

Weidmüller Interface GmbH & Co. KG
 Klingenbergstraße 26
 D-32758 Detmold
 Germany

www.weidmueller.com

Accessories

General ordering data

Type	SAKQB 6/10	Version	
Order No.	2111230000	Cross-connector (terminal), when screwed in, grey, Number of poles:	
GTIN (EAN)	4050118440607	10, Pitch in mm (P): 8.00, Insulated: No, Width: 6 mm	
Qty.	10 ST		

Accessorie



Current and voltage transformer wiring
 Our test disconnect terminal blocks featuring spring and screw connection technology allow you to create all the important converter circuits for measuring current, voltage and power in a safe and sophisticated way.

General ordering data

Type	SAKQS 6/2	Version	
Order No.	2111240000	Cross-connector (terminal), when screwed in, silver, 41 A, Number of	
GTIN (EAN)	4050118440621	poles: 2, Pitch in mm (P): 8.00, Insulated: No	
Qty.	10 ST		
Type	SAKQS 6/4	Version	
Order No.	2111670000	Cross-connector (terminal), Width: 6 mm	
GTIN (EAN)	4050118440614		
Qty.	10 ST		

End plates and partition plates



Partition plates and end plates are essential accessories for terminal blocks. Partition plates provide optical and electrical separation of different potentials and functional groups, increasing safety and ensuring a clear structure inside the control cabinet. End plates close the terminal block row on the sides, protect against contact with live parts, and ensure a clean, stable finish. Both components are precisely matched to the respective Weidmüller terminal block series, contributing to safe, compliant, and professional wiring.

General ordering data

Type	WAP WTL 6 BL	Version	
Order No.	2863970000	End and partition plate for terminals, blue, Height: 68.5 mm, Width:	
GTIN (EAN)	4064675598848	1.5 mm, V-O, Wemid	
Qty.	20 ST		

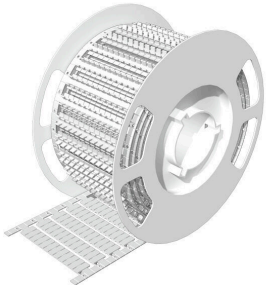
WTL 6 STB SW

Weidmüller Interface GmbH & Co. KG
 Klingenbergstraße 26
 D-32758 Detmold
 Germany

Accessories

www.weidmueller.com

BLM



General ordering data

Type	BLM 5/8 TB	Version	
Order No.	7760380692	BLM, Terminal marker, 5 x 8 mm, Pitch in mm (P): 8.00 Weidmueller,	
GTIN (EAN)	6944 1698 19 148	white	
Qty.	4800 ST		

Plus



The Dekafix (DEK) marker is the universal marker for all conductor and plug-in connectors as well as for electronic sub-assemblies. The system is ideal for short number sequences and covers a wide range of ready-printed markers.

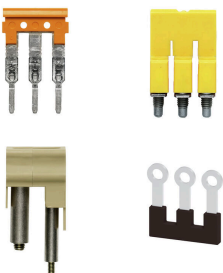
Strips for fast installation in only one work step. The printing is easy to read, rich in contrast and available in various widths.

- Large range of ready-to-use markers
 - Strips for fast installation
 - Terminal markers, suitable for all Weidmüller cable connectors
 - Available as blank MultiCard or with standard printing
- For custom printing: Please send us a file of our labeling software M-Print PRO or M-Print PRO Online (without installation) for your labeling specifications.

General ordering data

Type	DEK 5/8 PLUS MC NE WS	Version	
Order No.	1046350000	Dekafix, Terminal marker, 5 x 8 mm, Pitch in mm (P): 8.00	
GTIN (EAN)	4032248782055	Weidmueller, white	
Qty.	800 ST		

Cross-connections



The distribution or multiplication of a potential to adjoining terminal blocks is realized via a cross-connection. Additional wiring effort can be easily avoided. Even if the poles are broken out, contact reliability in the terminal blocks is still ensured. Our portfolio offers pluggable and screwable cross-connection systems for modular terminal blocks.

WTL 6 STB SW

Weidmüller Interface GmbH & Co. KG
 Klingenbergstraße 26
 D-32758 Detmold
 Germany

www.weidmueller.com

Accessories

General ordering data

Type	ISPF QB58 SW	Version
Order No.	0546000000	Insulation profile, PVC, black
GTIN (EAN)	4008190116705	
Qty.	10 ST	
Type	QB 58/8/15	Version
Order No.	0545400000	Cross-connector (terminal), when screwed in, grey, 27 A, Number of poles: 58, Pitch in mm (P): 8.00, Insulated: No, Width: 0.8 mm
GTIN (EAN)	4008190028794	
Qty.	10 ST	
Type	QB 58/8/9/WI	Version
Order No.	0545300000	Cross-connector (terminal), when screwed in, grey, 27 A, Number of poles: 58, Pitch in mm (P): 8.00, Insulated: No, Width: 0.8 mm
GTIN (EAN)	4008190125080	
Qty.	10 ST	

End plates and partition plates



Partition plates and end plates are essential accessories for terminal blocks. Partition plates provide optical and electrical separation of different potentials and functional groups, increasing safety and ensuring a clear structure inside the control cabinet. End plates close the terminal block row on the sides, protect against contact with live parts, and ensure a clean, stable finish. Both components are precisely matched to the respective Weidmüller terminal block series, contributing to safe, compliant, and professional wiring.

General ordering data

Type	WAP WTL 6 GR	Version
Order No.	2868500000	End and partition plate for terminals, grey, Height: 68.5 mm, Width: 1.5 mm, V-O, Wemid
GTIN (EAN)	4064675619574	
Qty.	20 ST	

Accessorie



Current and voltage transformer wiring
 Our test disconnect terminal blocks featuring spring and screw connection technology allow you to create all the important converter circuits for measuring current, voltage and power in a safe and sophisticated way.

General ordering data

Type	WAP WTL 6 SW	Version
Order No.	2868510000	End and partition plate for terminals, black, Height: 68.5 mm, Width: 1.5 mm, V-O, Wemid
GTIN (EAN)	4064675619581	
Qty.	20 ST	
Type	WAP WTL 6	Version
Order No.	2863960000	End and partition plate for terminals, dark beige, Height: 68.5 mm, Width: 1.5 mm, V-O, Wemid
GTIN (EAN)	4064675598824	
Qty.	20 ST	

WTL 6 STB SW

Weidmüller Interface GmbH & Co. KG
 Klingenbergstraße 26
 D-32758 Detmold
 Germany

www.weidmueller.com

Accessories

End bracket



Weidmüller's range of products includes end brackets that guarantee a permanent, reliable mounting on the terminal rail and prevent sliding. Versions with and without screws are available. The end brackets include marking options, also for group markers, and also a test plug holder.

General ordering data

Type	WEW 35/2	Version
Order No.	1061200000	End bracket, dark beige, TS 35, HB, Wemid, Width: 8 mm, 100 °C
GTIN (EAN)	4008190030230	
Qty.	50 ST	
Type	WEW 35/2 GR	Version
Order No.	1859200000	End bracket, grey, TS 35, V-2, Wemid, Width: 8 mm, 100 °C
GTIN (EAN)	4032248411658	
Qty.	50 ST	
Type	WEW 35/2 SW	Version
Order No.	1061210000	End bracket, black, TS 35, V-2, Wemid, Width: 8 mm, 100 °C
GTIN (EAN)	4032248136278	
Qty.	50 ST	
Type	WEW 35/2 VO GF SW	Version
Order No.	1479000000	End bracket, black, TS 35, V-0, Wemid, Width: 8 mm, 130 °C
GTIN (EAN)	4050118286779	
Qty.	50 ST	

Testadapter and testsockets



Test adapters and test plugs are used for the electrical connection between terminal blocks and the test equipment. In this way, an electrical contact can be established in the wired state and measurements can be done easily.

General ordering data

Type	PS 4 F.STB 4	Version
Order No.	0299600000	Test adapter (terminal), 230 V
GTIN (EAN)	4008190074043	
Qty.	20 ST	

WTL 6 STB SW

Weidmüller Interface GmbH & Co. KG
 Klingenbergstraße 26
 D-32758 Detmold
 Germany

Accessories

www.weidmueller.com

Accessorie



Current and voltage transformer wiring
 Our test disconnect terminal blocks featuring spring and screw connection technology allow you to create all the important converter circuits for measuring current, voltage and power in a safe and sophisticated way.

General ordering data

Type	STB 30.5 IH/BL	Version
Order No.	0341200000	Socket (terminal), Plug-in depth: 10 mm, Depth: 31.7 mm
GTIN (EAN)	4008190044077	
Qty.	50 ST	
Type	STB 30.5 IH/BR	Version
Order No.	1027870000	Socket (terminal), Plug-in depth: 10 mm, Depth: 31.7 mm
GTIN (EAN)	4032248755615	
Qty.	50 ST	
Type	STB 30.5 IH/GE	Version
Order No.	0341500000	Socket (terminal), Plug-in depth: 10 mm, Depth: 31.7 mm
GTIN (EAN)	4008190130961	
Qty.	50 ST	
Type	STB 30.5 IH/GN	Version
Order No.	0341400000	Socket (terminal), Plug-in depth: 10 mm, Depth: 31.7 mm
GTIN (EAN)	4008190008093	
Qty.	50 ST	
Type	STB 30.5 IH/GR	Version
Order No.	0341100000	Socket (terminal), Plug-in depth: 10 mm, Depth: 31.7 mm
GTIN (EAN)	4008190083960	
Qty.	50 ST	

Testadapter and testsockets



Test adapters and test plugs are used for the electrical connection between terminal blocks and the test equipment. In this way, an electrical contact can be established in the wired state and measurements can be done easily.

General ordering data

Type	STB 30.5 IH/RT	Version
Order No.	0341300000	Socket (terminal), Plug-in depth: 10 mm, Depth: 31.7 mm
GTIN (EAN)	4008190157852	
Qty.	50 ST	

WTL 6 STB SW

Weidmüller Interface GmbH & Co. KG
 Klingenbergstraße 26
 D-32758 Detmold
 Germany

www.weidmueller.com

Accessories

Accessorie



Current and voltage transformer wiring
 Our test disconnect terminal blocks featuring spring and screw connection technology allow you to create all the important converter circuits for measuring current, voltage and power in a safe and sophisticated way.

General ordering data

Type	STB 30.5 IH/SW	Version
Order No.	0341000000	Socket (terminal), Plug-in depth: 10 mm, Depth: 31.7 mm
GTIN (EAN)	4008190015299	
Qty.	50 ST	
Type	STB 30.5 IH/VI	Version
Order No.	0341600000	Socket (terminal), Plug-in depth: 10 mm, Depth: 31.7 mm
GTIN (EAN)	4008190026035	
Qty.	50 ST	