

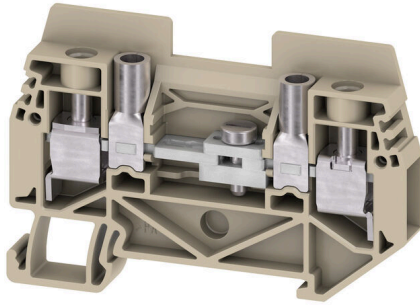
**WTL 6 STB****Weidmüller Interface GmbH & Co. KG**

Klingenbergstraße 26

D-32758 Detmold

Germany

www.weidmueller.com

**Current and voltage transformer wiring**

Our test disconnect terminal blocks featuring spring and screw connection technology allow you to create all the important converter circuits for measuring current, voltage and power in a safe and sophisticated way.

**General ordering data**

Version	Measuring transformer disconnect terminal, Screw connection, 500, 41, 2
Order No.	<a href="#">2863880000</a>
Type	WTL 6 STB
GTIN (EAN)	4064675598732
Qty.	50 items

## WTL 6 STB

Weidmüller Interface GmbH &amp; Co. KG

Klingenbergstraße 26

D-32758 Detmold

Germany

www.weidmueller.com

## Technical data

## Approvals

Approvals



ROHS Conform

UL File Number Search [UL Website](#)

Certificate No. (UR) E60693

## Dimensions and weights

Depth	46.5 mm	Depth (inches)	1.8307 inch
Depth including DIN rail	47.5 mm	Height	69 mm
Height (inches)	2.7165 inch	Width	7.9 mm
Width (inches)	0.311 inch	Net weight	23.11 g

## Temperatures

Storage temperature	-25 °C...55 °C	Continuous operating temp., min.	-60 °C
Continuous operating temp., max.	130 °C		

## Environmental Product Compliance

RoHS Compliance Status	Compliant without exemption
REACH SVHC	No SVHC above 0.1 wt%

## Material data

Basic material	Wemid	Colour	dark beige
UL 94 flammability rating	V-0		

## System specifications

End cover plate required	Yes	Number of potentials	1
Number of levels	1	Number of clamping points per level	2
Number of potentials per tier	1	Mounting rail	TS 35
N-function	No	PE function	No
PEN function	No		

## Additional technical data

Open sides	right	Explosion-tested version	No
Type of mounting	Snap-on		

## Conductors for clamping (additional connection)

Connection type, additional connection Screw connection

## Conductors for clamping (rated connection)

Gauge to IEC 60947-1	A5	Wire connection cross section AWG, max.	AWG 8
Connection direction	on side	Tightening torque, max.	1.2 Nm
Tightening torque, min.	0.8 Nm	Stripping length	12 mm
Type of connection	Screw connection	Number of connections	2

## WTL 6 STB

**Weidmüller Interface GmbH & Co. KG**

Klingenbergstraße 26  
D-32758 Detmold  
Germany

www.weidmueller.com

## Technical data

Clamping range, max.	10 mm <sup>2</sup>	Clamping range, min.	0.5 mm <sup>2</sup>
Clamping screw	M 3.5	Blade size	0.8 x 4.0 mm
Wire connection cross section AWG, min.	AWG 20	Wire connection cross-section, finely stranded with wire-end ferrules DIN 46228/4, max.	6 mm <sup>2</sup>
Wire connection cross-section, finely stranded with wire-end ferrules DIN 46228/4, min.	0.5 mm <sup>2</sup>	Wire connection cross-section, finely stranded with wire-end ferrules DIN 46228/1, max.	6 mm <sup>2</sup>
Wire connection cross-section, finely stranded with wire-end ferrules DIN 46228/1, min.	0.5 mm <sup>2</sup>	Wire connection cross section, finely stranded, max.	6 mm <sup>2</sup>
Wire connection cross section, finely stranded, min.	0.5 mm <sup>2</sup>	Connection cross-section, stranded, max.	10 mm <sup>2</sup>
Connection cross-section, stranded, min.	0.5 mm <sup>2</sup>	Wire connection cross-section, solid core, max.	10 mm <sup>2</sup>
Wire connection cross-section, solid core, min.	0.5 mm <sup>2</sup>		

### General

Wire connection cross section AWG, max.	AWG 8	Wire connection cross section AWG, min.	AWG 20
Standards	IEC 60947-7-1	Mounting rail	TS 35

### Rating data

Rated cross-section	6 mm <sup>2</sup>	Rated voltage	500 V
Rated DC voltage	500 V	Nominal current	41 A
Current at maximum wires	41 A	Standards	IEC 60947-7-1
Volume resistance according to IEC 60947-7-x	0.78 mΩ	Rated impulse withstand voltage	6 kV
Power loss in accordance with IEC 60947-7-x	1.31 W	Pollution severity	3

### UL rating data

Voltage size B (UR)	300 V	Current size B (UR)	30 A
Conductor size Factory wiring max. (UR)	8 AWG	Current size D (UR)	10 A
Current size C (UR)	30 A	Voltage size C (UR)	150 V
Conductor size Factory wiring min. (UR)	20 AWG	Certificate No. (UR)	E60693
Conductor size Field wiring min. (UR)	20 AWG	Voltage size D (UR)	300 V
Conductor size Field wiring max. (UR)	8 AWG		

### Classifications

ETIM 8.0	EC000902	ETIM 9.0	EC000902
ETIM 10.0	EC000902	ECLASS 14.0	27-25-01-09
ECLASS 15.0	27-25-01-09		

**Drawings**



## WTL 6 STB

**Weidmüller Interface GmbH & Co. KG**  
 Klingenbergstraße 26  
 D-32758 Detmold  
 Germany

## Accessories

www.weidmueller.com

### Accessorie



**Current and voltage transformer wiring**  
 Our test disconnect terminal blocks featuring spring and screw connection technology allow you to create all the important converter circuits for measuring current, voltage and power in a safe and sophisticated way.

### General ordering data

Type	SAKQB 6/2	Version	
Order No.	<a href="#">2615330000</a>	Cross-connector (terminal), when screwed in, grey, Number of poles:	
GTIN (EAN)	4050118655797	2, Pitch in mm (P): 8.00, Insulated: No, Width: 6 mm	
Qty.	20 ST		

### Cross-connections



The distribution or multiplication of a potential to adjoining terminal blocks is realized via a cross-connection. Additional wiring effort can be easily avoided. Even if the poles are broken out, contact reliability in the terminal blocks is still ensured. Our portfolio offers pluggable and screwable cross-connection systems for modular terminal blocks.

### General ordering data

Type	SAKQB 6/3	Version	
Order No.	<a href="#">2615340000</a>	Cross-connector (terminal), when screwed in, grey, Number of poles:	
GTIN (EAN)	4050118655780	3, Pitch in mm (P): 8.00, Insulated: No, Width: 6 mm	
Qty.	20 ST		
Type	SAKQB 6/4	Version	
Order No.	<a href="#">2615360000</a>	Cross-connector (terminal), when screwed in, grey, Number of poles:	
GTIN (EAN)	4050118655858	4, Pitch in mm (P): 8.00, Insulated: No, Width: 6 mm	
Qty.	20 ST		
Type	SAKQB 6/10	Version	
Order No.	<a href="#">2111230000</a>	Cross-connector (terminal), when screwed in, grey, Number of poles:	
GTIN (EAN)	4050118440607	10, Pitch in mm (P): 8.00, Insulated: No, Width: 6 mm	
Qty.	10 ST		
Type	SAKQS 6/2	Version	
Order No.	<a href="#">2111240000</a>	Cross-connector (terminal), when screwed in, silver, 41 A, Number of poles: 2, Pitch in mm (P): 8.00, Insulated: No	
GTIN (EAN)	4050118440621		
Qty.	10 ST		
Type	SAKQS 6/4	Version	
Order No.	<a href="#">2111670000</a>	Cross-connector (terminal)	
GTIN (EAN)	4050118440614		
Qty.	10 ST		

## WTL 6 STB

**Weidmüller Interface GmbH & Co. KG**  
 Klingenbergstraße 26  
 D-32758 Detmold  
 Germany

www.weidmueller.com

## Accessories

## End plates and partition plates

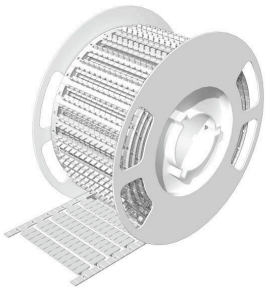


Partition plates and end plates are essential accessories for terminal blocks. Partition plates provide optical and electrical separation of different potentials and functional groups, increasing safety and ensuring a clear structure inside the control cabinet. End plates close the terminal block row on the sides, protect against contact with live parts, and ensure a clean, stable finish. Both components are precisely matched to the respective Weidmüller terminal block series, contributing to safe, compliant, and professional wiring.

## General ordering data

Type	WAP WTL 6 BL	Version	
Order No.	<a href="#">2863970000</a>	End and partition plate for terminals, blue, Height: 68.5 mm, Width:	
GTIN (EAN)	4064675598848	1.5 mm, V-O, Wemid	
Qty.	20 ST		

## BLM



## General ordering data

Type	BLM 5/8 TB	Version	
Order No.	<a href="#">7760380692</a>	BLM, Terminal marker, 5 x 8 mm, Pitch in mm (P): 8.00 Weidmueller,	
GTIN (EAN)	6944169819148	white	
Qty.	4800 ST		

## Plus



The Dekafix (DEK) marker is the universal marker for all conductor and plug-in connectors as well as for electronic sub-assemblies. The system is ideal for short number sequences and covers a wide range of ready-printed markers.

Strips for fast installation in only one work step. The printing is easy to read, rich in contrast and available in various widths.

- Large range of ready-to-use markers
  - Strips for fast installation
  - Terminal markers, suitable for all Weidmüller cable connectors
  - Available as blank MultiCard or with standard printing
- For custom printing: Please send us a file of our labeling software M-Print PRO or M-Print PRO Online (without installation) for your labeling specifications.

## WTL 6 STB

**Weidmüller Interface GmbH & Co. KG**  
 Klingenbergstraße 26  
 D-32758 Detmold  
 Germany

www.weidmueller.com

## Accessories

### General ordering data

Type	DEK 5/8 PLUS MC NE WS	Version
Order No.	<a href="#">1046350000</a>	Dekafix, Terminal marker, 5 x 8 mm, Pitch in mm (P): 8.00
GTIN (EAN)	4032248782055	Weidmueller, white
Qty.	800 ST	

### Disconnect plugs



In contrast to the terminal blocks with integrated disconnect lever, our disconnect plugs can be completely detached or removed from the terminal block and the respective application and offer a flexible alternative solution to our standard disconnectors.

### General ordering data

Type	ISPF QB58 SW	Version
Order No.	<a href="#">0546000000</a>	Insulation profile, PVC, black
GTIN (EAN)	4008190116705	
Qty.	10 ST	
Type	QB 58/8/15	Version
Order No.	<a href="#">0545400000</a>	Cross-connector (terminal), when screwed in, grey, 27 A, Number of poles: 58, Pitch in mm (P): 8.00, Insulated: No, Width: 0.8 mm
GTIN (EAN)	4008190028794	
Qty.	10 ST	
Type	QB 58/8/9/WI	Version
Order No.	<a href="#">0545300000</a>	Cross-connector (terminal), when screwed in, grey, 27 A, Number of poles: 58, Pitch in mm (P): 8.00, Insulated: No, Width: 0.8 mm
GTIN (EAN)	4008190125080	
Qty.	10 ST	

### Accessorie



**Current and voltage transformer wiring**  
 Our test disconnect terminal blocks featuring spring and screw connection technology allow you to create all the important converter circuits for measuring current, voltage and power in a safe and sophisticated way.

### General ordering data

Type	WAP WTL 6 GR	Version
Order No.	<a href="#">2868500000</a>	End and partition plate for terminals, grey, Height: 68.5 mm, Width: 1.5 mm, V-0, Wemid
GTIN (EAN)	4064675619574	
Qty.	20 ST	
Type	WAP WTL 6 SW	Version
Order No.	<a href="#">2868510000</a>	End and partition plate for terminals, black, Height: 68.5 mm, Width: 1.5 mm, V-0, Wemid
GTIN (EAN)	4064675619581	
Qty.	20 ST	

## WTL 6 STB

Weidmüller Interface GmbH &amp; Co. KG

Klingenbergstraße 26

D-32758 Detmold

Germany

## Accessories

www.weidmueller.com

## End plates and partition plates

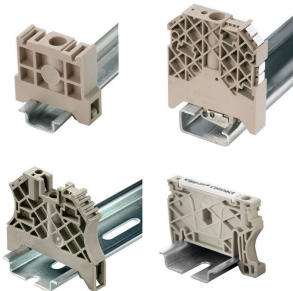


Partition plates and end plates are essential accessories for terminal blocks. Partition plates provide optical and electrical separation of different potentials and functional groups, increasing safety and ensuring a clear structure inside the control cabinet. End plates close the terminal block row on the sides, protect against contact with live parts, and ensure a clean, stable finish. Both components are precisely matched to the respective Weidmüller terminal block series, contributing to safe, compliant, and professional wiring.

## General ordering data

Type	WAP WTL 6	Version
Order No.	<a href="#">2863960000</a>	End and partition plate for terminals, dark beige, Height: 68.5 mm,
GTIN (EAN)	4064675598824	Width: 1.5 mm, V-0, Wemid
Qty.	20 ST	

## End bracket



Weidmüller's range of products includes end brackets that guarantee a permanent, reliable mounting on the terminal rail and prevent sliding. Versions with and without screws are available. The end brackets include marking options, also for group markers, and also a test plug holder.

## General ordering data

Type	WEW 35/2	Version
Order No.	<a href="#">1061200000</a>	End bracket, dark beige, TS 35, HB, Wemid, Width: 8 mm, 100 °C
GTIN (EAN)	4008190030230	
Qty.	50 ST	
Type	WEW 35/2 GR	Version
Order No.	<a href="#">1859200000</a>	End bracket, grey, TS 35, V-2, Wemid, Width: 8 mm, 100 °C
GTIN (EAN)	4032248411658	
Qty.	50 ST	
Type	WEW 35/2 SW	Version
Order No.	<a href="#">1061210000</a>	End bracket, black, TS 35, V-2, Wemid, Width: 8 mm, 100 °C
GTIN (EAN)	4032248136278	
Qty.	50 ST	
Type	WEW 35/2 V0 GF SW	Version
Order No.	<a href="#">1479000000</a>	End bracket, black, TS 35, V-0, Wemid, Width: 8 mm, 130 °C
GTIN (EAN)	4050118286779	
Qty.	50 ST	

## WTL 6 STB

**Weidmüller Interface GmbH & Co. KG**  
 Klingenbergstraße 26  
 D-32758 Detmold  
 Germany

www.weidmueller.com

## Accessories

### Testadapter and testsockets



Test adapters and test plugs are used for the electrical connection between terminal blocks and the test equipment. In this way, an electrical contact can be established in the wired state and measurements can be done easily.

### General ordering data

Type	PS 4 F.STB 4	Version	
Order No.	<a href="#">0299600000</a>	Test adapter (terminal), 230 V	
GTIN (EAN)	4008190074043		
Qty.	20 ST		

### Accessorie



Current and voltage transformer wiring  
 Our test disconnect terminal blocks featuring spring and screw connection technology allow you to create all the important converter circuits for measuring current, voltage and power in a safe and sophisticated way.

### General ordering data

Type	STB 30.5 IH/BL	Version	
Order No.	<a href="#">0341200000</a>	Socket (terminal), Plug-in depth: 10 mm, Depth: 31.7 mm	
GTIN (EAN)	4008190044077		
Qty.	50 ST		
Type	STB 30.5 IH/BR	Version	
Order No.	<a href="#">1027870000</a>	Socket (terminal), Plug-in depth: 10 mm, Depth: 31.7 mm	
GTIN (EAN)	4032248755615		
Qty.	50 ST		
Type	STB 30.5 IH/GE	Version	
Order No.	<a href="#">0341500000</a>	Socket (terminal), Plug-in depth: 10 mm, Depth: 31.7 mm	
GTIN (EAN)	4008190130961		
Qty.	50 ST		
Type	STB 30.5 IH/GN	Version	
Order No.	<a href="#">0341400000</a>	Socket (terminal), Plug-in depth: 10 mm, Depth: 31.7 mm	
GTIN (EAN)	4008190008093		
Qty.	50 ST		

## WTL 6 STB

**Weidmüller Interface GmbH & Co. KG**  
 Klingenbergstraße 26  
 D-32758 Detmold  
 Germany

www.weidmueller.com

## Accessories

### Testadapter and testsockets



Test adapters and test plugs are used for the electrical connection between terminal blocks and the test equipment. In this way, an electrical contact can be established in the wired state and measurements can be done easily.

### General ordering data

Type	STB 30.5 IH/GR	Version
Order No.	<a href="#">0341100000</a>	Socket (terminal), Plug-in depth: 10 mm, Depth: 31.7 mm
GTIN (EAN)	4008190083960	
Qty.	50 ST	

Type	STB 30.5 IH/RT	Version
Order No.	<a href="#">0341300000</a>	Socket (terminal), Plug-in depth: 10 mm, Depth: 31.7 mm
GTIN (EAN)	4008190157852	
Qty.	50 ST	

### Accessorie



**Current and voltage transformer wiring**  
 Our test disconnect terminal blocks featuring spring and screw connection technology allow you to create all the important converter circuits for measuring current, voltage and power in a safe and sophisticated way.

### General ordering data

Type	STB 30.5 IH/SW	Version
Order No.	<a href="#">0341000000</a>	Socket (terminal), Plug-in depth: 10 mm, Depth: 31.7 mm
GTIN (EAN)	4008190015299	
Qty.	50 ST	

Type	STB 30.5 IH/VI	Version
Order No.	<a href="#">0341600000</a>	Socket (terminal), Plug-in depth: 10 mm, Depth: 31.7 mm
GTIN (EAN)	4008190026035	
Qty.	50 ST	