

IE-BI-SPO-C**Weidmüller Interface GmbH & Co. KG**

Klingenbergstraße 26

D-32758 Detmold

Germany

www.weidmueller.com

**SPElink**[®]

FrontCom® Vario integrates multiple functions in only one single frame. The system is easy to install and you can select from a wide range of data, signal and power modules. In addition to being extremely compact, FrontCom® Vario offers a number of unique product features that will make your project planning and work activities secure, fast and future-proof. Furthermore, the FrontCom® Vario system has an attractive housing design that, by the way, offers highest impact-resistance and fully meets the requirements of IP 65 protection class.

General ordering data

Version	Single Pair Ethernet, Coupling, SPE socket acc. to IEC 63171-2, PoDL acc. to IEEE 802.3bu / cg, Number of poles: 2
Order No.	2861260000
Type	IE-BI-SPO-C
GTIN (EAN)	4064675579977
Qty.	1 items

IE-BI-SP0-C

Weidmüller Interface GmbH & Co. KG
 Klingenbergstraße 26
 D-32758 Detmold
 Germany

www.weidmueller.com

Technical data

Approvals

ROHS	Conform
------	---------

Dimensions and weights

Net weight	6.42 g
------------	--------

Temperatures

Storage temperature	Operating temperature	-40 °C...85 °C
Installation temperature		

Environmental Product Compliance

RoHS Compliance Status	Compliant without exemption
REACH SVHC	No SVHC above 0.1 wt%

General data

Product type	Single Pair Ethernet, Coupling	Protection degree	IP67 with housing
Insert type	Insert data SteadyTec		

General data

Connection 1	SPE socket acc. to IEC 63171-2	Connection 2	SPE socket acc. to IEC 63171-2
UL 94 flammability rating	V-0	Housing main material	PA 66
Category	T1-B	Contact material	Cu
Contact surface	Gold over nickel	Protection degree	IP67 with housing
Plugging cycles	750		

Electrical properties

Dielectric strength, contact / shield	2250 V DC	Dielectric strength, contact / contact	≥ 1000 V DC
Insulation resistance	≥ 500 MΩ	Rated current	3.5 A at 0°C
PoE / PoE+	PoDL acc. to IEEE 802.3bu / cg	Operational voltage range	≤ 50 V AC, ≤ 60 V DC

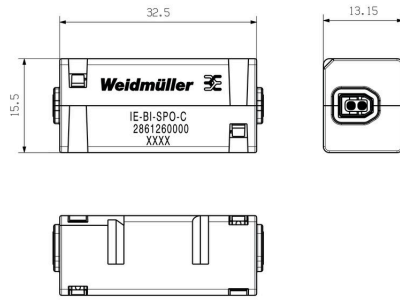
General standards

Connector standard	IEC 63171-2	Network standard	IEEE 802.3cg (10BaseT1), IEEE 802.3bw (100 BaseT1), IEEE 802.3bp (1000 BaseT1)
--------------------	-------------	------------------	--

Classifications

ETIM 8.0	EC000313	ETIM 9.0	EC000313
ETIM 10.0	EC000313	ECLASS 14.0	27-44-03-20
ECLASS 15.0	27-44-03-20		

Dimensioned drawing



Derating curve

Level I gem. IEC 63171

