

VPCB PV I+II R 600 E**Weidmüller Interface GmbH & Co. KG**Klingenbergstraße 26
D-32758 Detmold
Germany

www.weidmueller.com



'Abbildung ähnlich'

Versatile accessories round off the surge protection range. E.g. the all-purpose measuring device V-TEST, which is used to check the function of pluggable arresters such as VSPC.

General ordering data

Order No.	2857 100000
Type	VPCB PV I+II R 600 E
GTIN (EAN)	4064675537465
Qty.	1 items
Delivery status	This article will no longer be available in the future.
Available until	2026-06-01T00:00:00+02:00

VPCB PV I+II R 600 E

Weidmüller Interface GmbH & Co. KG

Klingenbergstraße 26

D-32758 Detmold

Germany

www.weidmueller.com

Technical data

Approvals

ROHS	Conform
------	---------

Dimensions and weights

Depth	52.2 mm	Depth (inches)	2.0551 inch
Height	61.5 mm	Height (inches)	2.4213 inch
Width	17.9 mm	Width (inches)	0.7047 inch
Net weight	20 g		

Temperatures

Storage temperature	-40 °C...85 °C	Operating temperature	-40 °C...85 °C
Humidity	5 - 95% rel. humidity		

Environmental Product Compliance

RoHS Compliance Status	Compliant without exemption
REACH SVHC	No SVHC above 0.1 wt%

General data

Version	Miscellaneous	Design	miscellaneous
UL 94 flammability rating	V-0	Colour	grey
Protection degree	IP20	Acoustic signal	No

Insulation coordination acc. to EN 50178

Surge voltage category	III	Pollution severity	2
------------------------	-----	--------------------	---

Photovoltaic technical data

Lightning test current limp (10/350 µs)	6.25 kA	Conditions and requirements	EN 50539-11
Operating height in ungrounded PV system	≤ 4000 m	Short-circuit current ISCPV	11 kA
Discharge current In (8/20 µs)	20 kA	Requirements class	Type I/II
Operating height in the grounded PV system	≤ 4000 m	PV system voltage, max. Ucpv	750 V

Rated data IEC / EN

Number of poles	1	Signalling contact	125 V AC / 1 A, 48 V CC / 0.5 A
Voltage type	DC	Lightning test current limp (10/350 µs)	6.25 kA
Acoustic signal	No	Discharge current I _{max} (8/20µs) wire-PE	40 kA
Integrated back-up fuse	No		

Connection data

Type of connection	Solder connection
--------------------	-------------------

Electrical data

Voltage type	DC
--------------	----

VPCB PV I+II R 600 E

Weidmüller Interface GmbH & Co. KG
Klingenbergstraße 26
D-32758 Detmold
Germany

www.weidmueller.com

Technical data**General data**

Number of poles	1	Protection degree	IP20
Colour	grey		

Guarantee

Time interval	5 years
---------------	---------

Classifications

ETIM 8.0	EC002496	ETIM 9.0	EC002496
ETIM 10.0	EC002496	ECLASS 14.0	27-17-14-03
ECLASS 15.0	27-17-14-03		

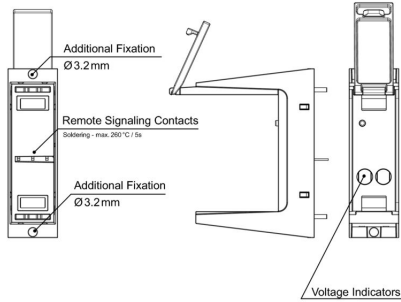
VPCB PV I+II R 600 E

Weidmüller Interface GmbH & Co. KG
 Klingenbergstraße 26
 D-32758 Detmold
 Germany

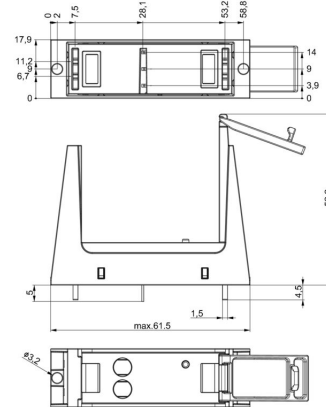
Drawings

www.weidmueller.com

Similar to illustration



Dimensioned drawing



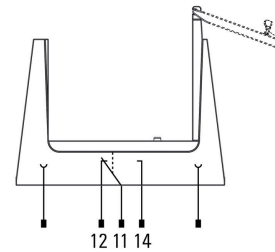
Example of use



PCB layout and production:

- Air clearance and creepage distances have to be maintained according to standards for specified application.
- Discharge capacity of the SPD must be considered when designing PCB tracks
- Max. soldering temperature is 260°/5s
- PCB socket is fixed on PCB with 2 x two solder contacts and 2 x Ø 3.2 mm fixing holes.

Electric symbol



Schematic circuit diagram



Application with arrester