

**VPCB PV II R 600****Weidmüller Interface GmbH & Co. KG**Klingenbergstraße 26  
D-32758 Detmold  
Germany

www.weidmueller.com



'Abbildung ähnlich'

Versatile accessories round off the surge protection range. E.g. the all-purpose measuring device V-TEST, which is used to check the function of pluggable arresters such as VSPC.

**General ordering data**

Order No.	2857090000
Type	<a href="#">VPCB PV II R 600</a>
GTIN (EAN)	4064675537458
Qty.	20 items
Delivery status	This article will no longer be available in the future.
Available until	2026-06-01T00:00:00+02:00

## VPCB PV II R 600

**Weidmüller Interface GmbH & Co. KG**  
 Klingenbergstraße 26  
 D-32758 Detmold  
 Germany

www.weidmueller.com

## Technical data

### Approvals

ROHS	Conform
------	---------

### Dimensions and weights

Depth	52.2 mm	Depth (inches)	2.0551 inch
Height	61.5 mm	Height (inches)	2.4213 inch
Width	17.9 mm	Width (inches)	0.7047 inch
Net weight	20 g		

### Temperatures

Storage temperature	-40 °C...85 °C	Operating temperature	-40 °C...85 °C
Humidity	5 - 95% rel. humidity		

### Environmental Product Compliance

RoHS Compliance Status	Compliant without exemption
REACH SVHC	No SVHC above 0.1 wt%

### General data

Version	Miscellaneous	Design	miscellaneous
UL 94 flammability rating	V-0	Colour	grey
Protection degree	IP20		

### Insulation coordination acc. to EN 50178

Surge voltage category	III	Pollution severity	2
------------------------	-----	--------------------	---

### Photovoltaic technical data

Conditions and requirements	EN 50539-11	Operating height in ungrounded PV system	≤ 4000 m
Short-circuit current I <sub>SCPV</sub>	11 kA	Discharge current I <sub>n</sub> (8/20 μs)	20 kA
Requirements class	Type I/II	Operating height in the grounded PV system	≤ 4000 m
PV system voltage, max. U <sub>cpv</sub>	750 V		

### Rated data IEC / EN

Number of poles	1	Signalling contact	250 V / 0,5 A, 48 V CC / 0,5 A
Voltage type	DC	Discharge current I <sub>max</sub> (8/20 μs) wire-PE	40 kA
Integrated back-up fuse	No		

### Connection data

Type of connection	Solder connection
--------------------	-------------------

### Electrical data

Voltage type	DC
--------------	----

**VPCB PV II R 600**

**Weidmüller Interface GmbH & Co. KG**  
Klingenbergstraße 26  
D-32758 Detmold  
Germany

[www.weidmueller.com](http://www.weidmueller.com)

**Technical data****General data**

Number of poles	1	Protection degree	IP20
Colour	grey		

**Guarantee**

Time interval	5 years
---------------	---------

**Classifications**

ETIM 8.0	EC002496	ETIM 9.0	EC002496
ETIM 10.0	EC002496	ECLASS 14.0	27-17-14-03
ECLASS 15.0	27-17-14-03		

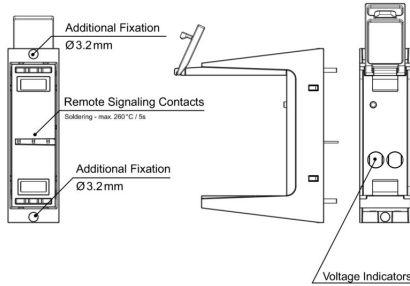
VPCB PV II R 600

Weidmüller Interface GmbH & Co. KG  
 Klingenbergstraße 26  
 D-32758 Detmold  
 Germany

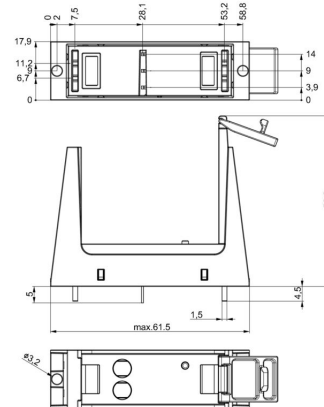
Drawings

www.weidmueller.com

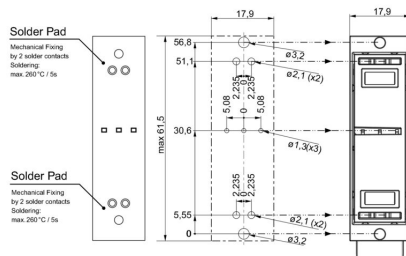
Similar to illustration



Dimensioned drawing



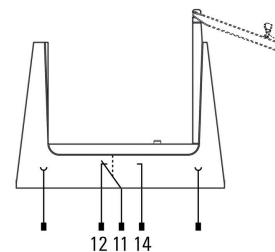
Example of use



PCB layout and production:

- Air clearance and creepage distances have to be maintained according to standards for specified application.
- Discharge capacity of the SPD must be considered when designing PCB tracks
- Max. soldering temperature is 260°/5s
- PCB socket is fixed on PCB with 2 x two solder contacts and 2 x Ø 3,2 mm fixing holes.

Electric symbol



Schematic circuit diagram



Application with arrester