

VPU PV II 5 R 1000

Weidmüller Interface GmbH & Co. KG
Klingenbergstraße 26
D-32758 Detmold
Germany

www.weidmueller.com



General ordering data

Order No.	2857020000
Type	VPU PV II 5 R 1000
GTIN (EAN)	4064675537380
Qty.	1 items

VPU PV II 5 R 1000

Weidmüller Interface GmbH & Co. KG
 Klingenbergstraße 26
 D-32758 Detmold
 Germany

www.weidmueller.com

Technical data

Approvals

Approvals



ROHS Conform

Dimensions and weights

Depth	60 mm	Depth (inches)	2.3622 inch
Height	105 mm	Height (inches)	4.1338 inch
Width	90 mm	Width (inches)	3.5433 inch
Mounting dimension - height	105 mm	Net weight	479 g

Temperatures

Storage temperature	-40 °C...85 °C	Operating temperature	-40 °C...85 °C
Humidity	5 - 95% rel. humidity		

Environmental Product Compliance

RoHS Compliance Status	Compliant without exemption
REACH SVHC	No SVHC above 0.1 wt%

Connection data, remote alert

Cross-section for connected wire, solid core, min.	0.14 mm ²	Stripping length	8 mm
Cross-section for connected wire, solid core, max.	1.5 mm ²		

General data

Optical function display	green = OK; red = arrester is defective - replace	Version	Surge protection II
Design	Installation housing, 5 TE, Insta IP 20	UL 94 flammability rating	V-0
Colour	grey	Protection degree	IP20
Mounting rail	TS 35	auxiliary contact	No
Operating altitude	≤ 2000 m		

Insulation coordination acc. to EN 50178

Surge voltage category	III	Pollution severity	2
------------------------	-----	--------------------	---

Photovoltaic technical data

Standards	IEC 61643-31, EN 61643-31	Discharge current, max. (8/20 μs)	40 kA
Protection level Up (+/-, -/PE, +/-PE)	≤4,2 kV	Operating height in ungrounded PV system	≤ 2000 m
Short-circuit current ISCPV	11000 A	Total discharge current I _{total} (8/20 μs)	40 kA
Discharge current I _n (8/20 μs)	20 kA	Requirements class	Type II
Operating height in the grounded PV system	≤ 2000 m	PV system voltage, max. U _{cpv}	1100 V

VPU PV II 5 R 1000

Weidmüller Interface GmbH & Co. KG

Klingenbergstraße 26
D-32758 Detmold
Germany

www.weidmueller.com

Technical data

Rated data IEC / EN

Number of poles	5	Leakage current at U_n	30 μ A
Signalling contact	250 V 1A 1CO	Rated voltage (DC)	1000 V
Voltage type	DC	Response time / fallback time	\leq 25 ns
Standards	IEC 61643-31, EN 61643-31	Discharge current, max. (8/20 μ s)	40 kA
Requirements class, acc. to EN 61643-11	T2	Discharge current I_{max} (8/20 μ s) wire-PE40 kA	
SPD type	T2	Integrated back-up fuse	No

Connection data

Stripping length	18 mm	Type of connection	Screw connection
Stripping length, rated connection	18 mm	Tightening torque, min.	3 Nm
Tightening torque, max.	4.5 Nm	Clamping range, rated connection	6 mm ²
Clamping range, min.	1.5 mm ²	Clamping range, max.	35 mm ²
Wire cross-section, solid, min.	1.5 mm ²	Wire cross-section, solid, max.	1.5 mm ²
Wire connection cross section, finely stranded, min.	1.5 mm ²	Wire connection cross section, finely stranded, max.	25 mm ²
Connection cross-section, stranded, min. 1.5 mm ²		Connection cross-section, stranded, max.	35 mm ²

Electrical data

Voltage type	DC
--------------	----

General data

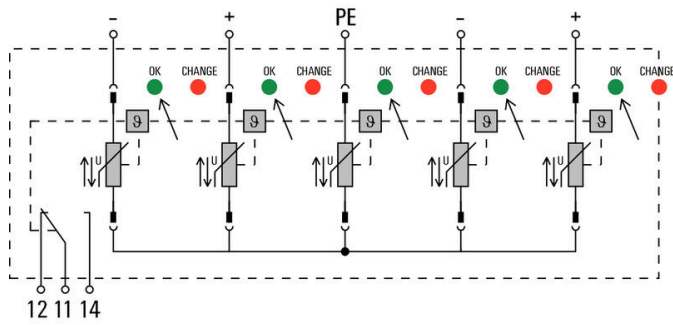
Number of poles	5	Protection degree	IP20
Colour	grey		

Classifications

ETIM 8.0	EC000941	ETIM 9.0	EC000941
ETIM 10.0	EC000941	ECLASS 14.0	27-17-14-02
ECLASS 15.0	27-17-14-02		

Drawings

Electric symbol



Circuit diagram

VPU PV II 5 R 1000

Weidmüller Interface GmbH & Co. KG
 Klingenbergstraße 26
 D-32758 Detmold
 Germany

www.weidmueller.com

Accessories

Crosshead screwdriver Phillips



VDE insulated crosshead screwdriver, for Phillips screws, SDIK PH DIN 7438, ISO 8764/2-PH, output to ISO 8764-PH, SoftFinish grip

General ordering data

Type	SDIK PH1 X 80	Version	
Order No.	2749890000	Screwdriver, Blade width (B): 1 mm, 80 mm, Blade thickness (A): 1	
GTIN (EAN)	4050118897098		
Qty.	1 ST		

Slotted screwdriver

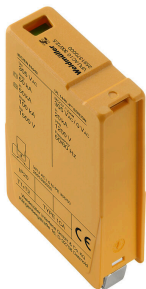


VDE insulated slot-head screwdriver, SDI DIN 7437, ISO 2380/2, drive output acc. to DIN 5264, ISO 2380/1. SoftFinish grip

General ordering data

Type	SDIS 1.0X5.5X125	Version	
Order No.	2749850000	Screwdriver, Blade width (B): 5.5 mm, Blade length: 125 mm, Blade thickness (A): 1 mm	
GTIN (EAN)	4050118897050		
Qty.	1 ST		

Spare Arrester



General ordering data

Type	VPU PV II 5 0 1000	Version	
Order No.	2857010000		
GTIN (EAN)	4064675537373		
Qty.	9 ST		