

VPU PV I+II 5 R 1000

Weidmüller Interface GmbH & Co. KG
Klingenbergstraße 26
D-32758 Detmold
Germany

www.weidmueller.com



General ordering data

Order No.	2856490000
Type	VPU PV I+II 5 R 1000
GTIN (EAN)	4064675536413
Qty.	1 items

VPU PV I+II 5 R 1000

Weidmüller Interface GmbH & Co. KG
 Klingenbergstraße 26
 D-32758 Detmold
 Germany

www.weidmueller.com

Technical data

Approvals

Approvals



ROHS Conform

Dimensions and weights

Depth	77.2 mm	Depth (inches)	3.0394 inch
Height	111 mm	Height (inches)	4.3701 inch
Width	90 mm	Width (inches)	3.5433 inch
Net weight	704 g		

Temperatures

Storage temperature	-40 °C...85 °C	Operating temperature	-40 °C...85 °C
Humidity	5 - 95% rel. humidity		

Environmental Product Compliance

RoHS Compliance Status	Compliant without exemption
REACH SVHC	No SVHC above 0.1 wt%

Connection data, remote alert

Cross-section for connected wire, solid core, min.	0.25 mm ²	Cross-section for connected wire, solid core, max.	1.5 mm ²
--	----------------------	--	---------------------

General data

Optical function display	green = OK; red = arrester is defective - replace	Version	Surge protection I / II, with remote contact
Design	Installation housing, 5 TE, Insta IP 20	UL 94 flammability rating	V-0
Colour	orange, black	Protection degree	IP20
Mounting rail	TS 35	Operating altitude	≤ 4000 m

Insulation coordination acc. to EN 50178

Surge voltage category	III	Pollution severity	2
------------------------	-----	--------------------	---

Photovoltaic technical data

Standards	EN 61643-31, EN 50539-11	Lightning test current Iimp (10/350 μs)	5 kA
Protection level Up (+/-, -/PE, +/PE)	≤ 3.8 kV	Operating height in ungrounded PV system	≤ 4000 m
Short-circuit current ISCPV	11000 A	Total discharge current Itotal (8/20 μs)	50 kA
Discharge current In (8/20 μs)	20 kA	Requirements class	Type I/II
Operating height in the grounded PV system	≤ 2000 m	Total discharge current Itotal (10/350 μs)	10 kA
PV system voltage, max. Ucpv	1100 V		

VPU PV I+II 5 R 1000

Weidmüller Interface GmbH & Co. KG

Klingenbergstraße 26

D-32758 Detmold

Germany

www.weidmueller.com

Technical data

Rated data IEC / EN

Number of poles	5	Leakage current at Un	30 µA
Signalling contact	250 V 1A 1CO	Rated voltage (DC)	1000 V
Voltage type	DC	Response time / fallback time	≤ 25 ns
Standards	EN 61643-31, EN 50539-11	Lightning test current limp (10/350 µs)	5 kA
Energy coordination (≤10 m)	Type I, Type II, Type III	Discharge current I _{max} (8/20µs) wire-PE30	kA
SPD type	T1, T2	Integrated back-up fuse	No

Connection data

Stripping length	18 mm	Type of connection	Screw connection
Stripping length, rated connection	18 mm	Tightening torque, min.	3 Nm
Tightening torque, max.	4.5 Nm	Clamping range, rated connection	6 mm ²
Clamping range, min.	1.5 mm ²	Clamping range, max.	35 mm ²
Wire cross-section, solid, min.	1.5 mm ²	Wire cross-section, solid, max.	35 mm ²
Wire connection cross section, finely stranded, min.	1.5 mm ²	Wire connection cross section, finely stranded, max.	35 mm ²
Connection cross-section, stranded, min. 1.5 mm ²		Connection cross-section, stranded, max.	35 mm ²

Electrical data

Voltage type	DC
--------------	----

General data

Number of poles	5	Protection degree	IP20
Colour	orange, black		

Guarantee

Time interval	5 years
---------------	---------

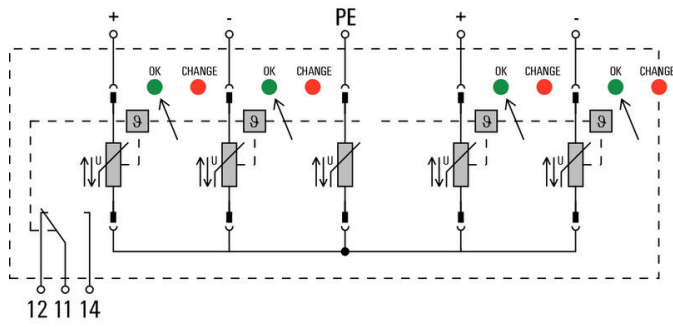
Important note

Product information	In case indication flag is not green on one or more plugs (ProTex T1-550PV-00M-P), that certain plug, including ground plug (ProTec T1-550PV-00-P) must be replaced at the same time.
---------------------	---

Classifications

ETIM 8.0	EC001457	ETIM 9.0	EC001457
ETIM 10.0	EC001457	ECLASS 14.0	27-17-14-03
ECLASS 15.0	27-17-14-03		

Electric symbol



Circuit diagram

VPU PV I+II 5 R 1000

Weidmüller Interface GmbH & Co. KG
 Klingenbergstraße 26
 D-32758 Detmold
 Germany

www.weidmueller.com

Accessories

Crosshead screwdriver Phillips



VDE insulated crosshead screwdriver, for Phillips screws, SDIK PH DIN 7438, ISO 8764/2-PH, output to ISO 8764-PH, SoftFinish grip

General ordering data

Type	SDIK PH1 X 80	Version	
Order No.	2749890000	Screwdriver, Blade width (B): 1 mm, 80 mm, Blade thickness (A): 1	
GTIN (EAN)	4050118897098		
Qty.	1 ST		

Slotted screwdriver



VDE insulated slot-head screwdriver, SDI DIN 7437, ISO 2380/2, drive output acc. to DIN 5264, ISO 2380/1. SoftFinish grip

General ordering data

Type	SDIS 1.0X5.5X125	Version	
Order No.	2749850000	Screwdriver, Blade width (B): 5.5 mm, Blade length: 125 mm, Blade thickness (A): 1 mm	
GTIN (EAN)	4050118897050		
Qty.	1 ST		

Blank



ESG is the tried-and-tested marker in MultiCard format for use on many well-known electrical devices. The result is high-quality device marking with a high-contrast appearance.

Various types are available for devices from manufacturers like Siemens, ABB, Beckhoff etc.

Advantages at a glance:

- Tags for universal usage, self-adhesive or clip-on tags, depending on type
- For aligned equipment, e.g. circuit breakers, we supply ESG markers for clipping onto tag rails
- Individual laser-quality printing according to specifications

For custom printing: Please send us a file of our labeling software M-Print PRO or M-Print PRO Online (without installation) for your labeling specifications.

VPU PV I+II 5 R 1000

Weidmüller Interface GmbH & Co. KG
 Klingenbergstraße 26
 D-32758 Detmold
 Germany

www.weidmueller.com

Accessories

General ordering data

Type	ESG 6/15 K MC NE WS	Version	
Order No.	1880100000	ESG, Device markers x 15 mm, PA 66, Colour: white, Self-adhesive	
GTIN (EAN)	4032248478781		
Qty.	200 ST		

VPU Series



Extensive accessories round off the product range

General ordering data

Type	VPU PV EXTENDER	Version	
Order No.	3123510000		
GTIN (EAN)	4099987270199		
Qty.	9 ST		

Spare Arrester



General ordering data

Type	VPU PV I+II 5 O 1000	Version	
Order No.	2857000000		
GTIN (EAN)	4064675537366		
Qty.	9 ST		
Type	VPU PV I+II 5 OM 1000	Version	
Order No.	2856650000		
GTIN (EAN)	4064675536581		
Qty.	9 ST		

VPU PV I+II 5 R 1000

Weidmüller Interface GmbH & Co. KG
Klingenbergstraße 26
D-32758 Detmold
Germany

www.weidmueller.com

Accessories

VPU Series



Extensive accessories round off the product range

General ordering data

Type	VPU LOCKING CLIP L	Version	
Order No.	2735070000		
GTIN (EAN)	4050118816402		
Qty.	10 ST		
Type	PLUG VPU AC	Version	
Order No.	2855300000		
GTIN (EAN)	4064675533283		
Qty.	10 ST		