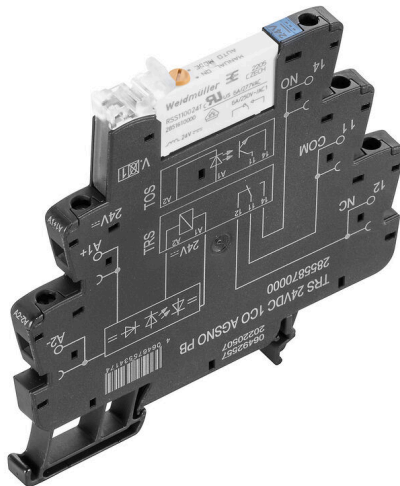


TRS 24VUC 1CO AGSNO PB

Weidmüller Interface GmbH & Co. KG
 Klingenbergstraße 26
 D-32758 Detmold
 Germany

www.weidmueller.com

Product image



Similar to illustration

- 1 CO contact
- Contact material: AgSnO
- Unique multi-voltage input from 24 to 230 V UC
- Input voltages 24 V DC and 24 V UC with coloured marking: DC: blue, UC: white
- Version with lockable test button for manual switching

General ordering data

| | |
|------------|--|
| Version | TERMSERIES, Relay module, Number of contacts: 1, CO contact AgSnO, Rated control voltage: 24 V UC $\pm 10\%$, Continuous current: 6 A, Screw connection, Test button available: Yes |
| Order No. | 2855890000 |
| Type | TRS 24VUC 1CO AGSNO PB |
| GTIN (EAN) | 4064675534198 |
| Qty. | 10 items |

TRS 24VUC 1CO AGSNO PB

Weidmüller Interface GmbH & Co. KG

Klingenbergstraße 26

D-32758 Detmold

Germany

www.weidmueller.com

Technical data

Approvals

Approvals



ROHS Conform

UL File Number Search [UL Website](#)

Certificate no. (cULus) E141197

Dimensions and weights

| | | | |
|------------|---------|-----------------|-------------|
| Depth | 87.8 mm | Depth (inches) | 3.4567 inch |
| Height | 89.6 mm | Height (inches) | 3.5276 inch |
| Width | 6.4 mm | Width (inches) | 0.252 inch |
| Net weight | 31.38 g | | |

Temperatures

| | | | |
|-----------------------|----------------|---------------------|--|
| Storage temperature | -40 °C...85 °C | Ambient temperature | -40 °C...60 °C |
| Operating temperature | | Humidity | 5-95% relative humidity, Tu = 40°C, without condensation |

Environmental Product Compliance

| | |
|--------------------------------------|--------------------------------------|
| RoHS Compliance Status | Compliant with exemption |
| RoHS Exemption (if applicable/known) | 7a, 7cI |
| REACH SVHC | Lead 7439-92-1 |
| SCIP | 9e2cbc49-76d9-4611-b8ec-5b4f549a0aa9 |

Rated data UL

| | | | |
|---|--|------------------------------------|--------------------------|
| Ambient temperature (operational), max. | 60 °C | Output current derating (ohmic) | 6 A @ 50 °C, 5 A @ 60 °C |
| Connection cross-section AWG, min. | AWG 26 | Connection cross-section AWG, max. | AWG 14 |
| Type of conductor | rigid copper conductor, flexible copper conductor | Pollution severity level | 2 |

Control side

| | | | |
|---|---------------|---------------------------------------|------------------|
| Rated control voltage | 24 V UC ±10 % | Rated current AC | 11.7 mA |
| Rated current DC | 6.4 mA | Power rating | 270 mVA / 154 mW |
| Status indicator | Green LED | Protective circuit | Rectifier |
| Coil voltage of the replacement relay deviating from the rated control voltage | Yes | Coil voltage of the replacement relay | 24 V DC |

Load side

| | | | |
|---|----------------------|---|---------------------------------------|
| Rated switching voltage | 250 V AC | Continuous current | 6 A |
| Max. switching frequency at rated load | 0.1 Hz | Max. switching voltage, AC | 250 V |
| Max. switching voltage, DC | 250 V | Inrush current | 30 A / 20 ms |
| AC switching capacity (resistive), max. | 1500 VA | DC switching capacity (resistive), max. | 144 W @ 24 V |
| Switch-on delay | ≤ 6 ms | Switch-off delay | ≤ 40 ms |
| Contact type | 1 CO contact (AgSnO) | Mechanical service life | 10 x 10 ⁶ switching cycles |
| Min. switching power | 100 mA @ 12 V | | |

TRS 24VUC 1CO AGSNO PB

Weidmüller Interface GmbH & Co. KG
 Klingenbergstraße 26
 D-32758 Detmold
 Germany

www.weidmueller.com

Technical data

General data

| | | |
|--------------------------------------|---------------------------|----------------|
| Operating altitude | ≤ 2000 m, above sea level | |
| Mounting rail | TS 35 | |
| Test button available | Yes | |
| Version of test button | Lockable test button | |
| Mechanical switch position indicator | No | |
| Colour | black | |
| UL94 flammability rating component | Component | Housing |
| | UL94 flammability rating | V-0 |
| | Component | Retaining clip |
| | UL94 flammability rating | V-0 |
| | Component | Pusher |
| UL94 flammability rating | V-0 | |

Insulation coordination

| | | | |
|--|---------------------|---|-----------------------|
| Rated voltage | 300 V | Pollution severity | 2 |
| Surge voltage category | III | Clearance and creepage distances for control side - load side | ≥ 6 mm |
| Dielectric strength for control side - load side | 3.51 kVeff / 1 min. | Type of isolation at input and output | reinforced insulation |
| Dielectric strength of open contact | 1 kVeff / 1 min | Dielectric strength to mounting rail | 4 kVeff / 1 Min. |
| Impulse withstand voltage | 6 kV (1.2/50 µs) | Protection degree | IP20 |

Further details of approvals / standards

| | |
|-------------------------|---------|
| Certificate no. (cULus) | E141197 |
|-------------------------|---------|

Connection data

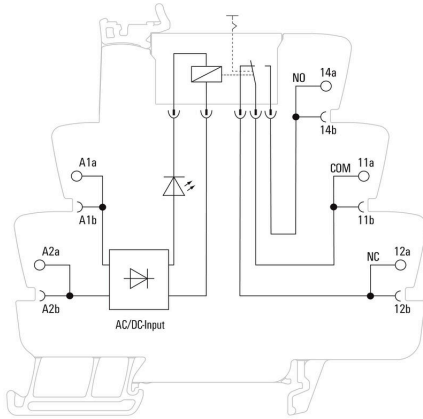
| | | | |
|---|----------------------|---|---------------------|
| Wire connection method | Screw connection | Stripping length, rated connection | 8 mm |
| Tightening torque, max. | 0.4 Nm | Clamping range, rated connection | 1.5 mm ² |
| Clamping range, min. | 0.14 mm ² | Clamping range, max. | 2.5 mm ² |
| Wire connection cross section AWG, min. | AWG 26 | Wire connection cross section AWG, max. | AWG 14 |
| Wire cross-section, solid, min. | 0.14 mm ² | Wire cross-section, solid, max. | 2.5 mm ² |
| Wire cross-section, solid, min. (AWG) | AWG 26 | Wire cross-section, solid, max. (AWG) | AWG 14 |
| Wire connection cross section, finely stranded, min. | 0.14 mm ² | Wire connection cross section, finely stranded, max. | 2.5 mm ² |
| Wire cross-section, finely stranded, min. (AWG) | AWG 26 | Wire cross-section, finely stranded, max. (AWG) | AWG 16 |
| Wire connection cross-section, finely stranded with wire-end ferrules DIN 46228/4, min. | 0.25 mm ² | Wire connection cross-section, finely stranded with wire-end ferrules DIN 46228/4, max. | 2.5 mm ² |
| Conductor cross-section, flexible, AEH (DIN 46228-1), min. | 0.25 mm ² | Conductor cross-section, flexible, AEH (DIN 46228-1), max. | 1.5 mm ² |
| Wire connection cross section, finely stranded, two clampable wires, min. | 0.5 mm ² | Wire cross-section, finely stranded, two clampable wires, max. | 1 mm ² |
| Blade size | size PHO | | |

Classifications

| | | | |
|-------------|-------------|-------------|-------------|
| ETIM 8.0 | EC001437 | ETIM 9.0 | EC001437 |
| ETIM 10.0 | EC001437 | ECLASS 14.0 | 27-37-16-01 |
| ECLASS 15.0 | 27-37-16-01 | | |

Drawings

Wiring diagram



Graph



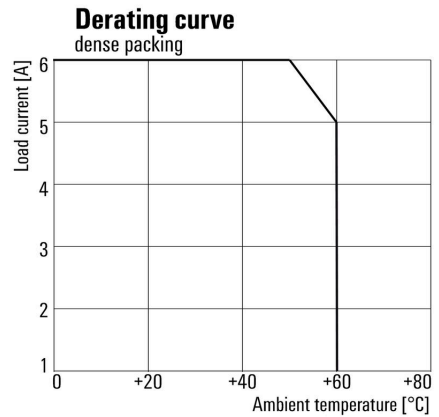
DC load limit curve Resistive load

Graph

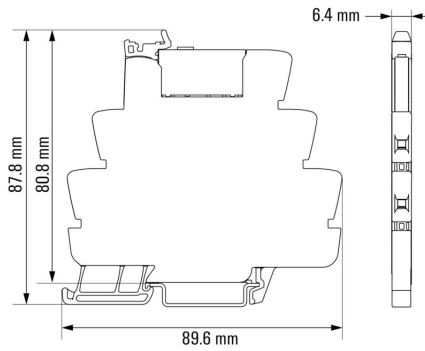


Electrical service life 230 V AC resistive load 230 V AC resistive load

Derating curve



Dimensional drawing



Miscellaneous

Function of test button

Mode is selected by rotating the orange switch.
 The test button can be rotated endlessly.
 The groove on the top shows the selected mode.

View from the top:



Auto Mode:

Relay contact is controlled by the coil.



Manual ON:

Relay is manually switch on without applied coil voltage.
 - NO contact is closed

Miscellaneous

Recommended screwdriver for test button



Miscellaneous

Type code TERMSERIES electromechanical relay versions



Sonstiges