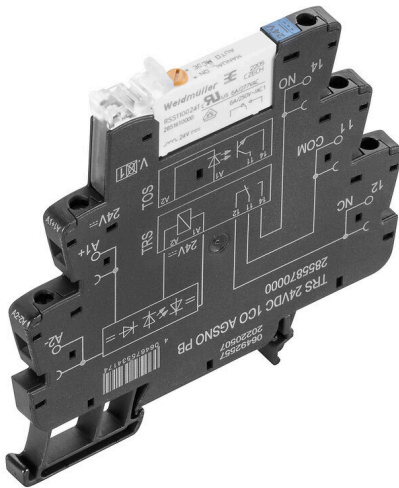


## TRS 24VDC 1CO AGSNO AU PB

**Weidmüller Interface GmbH & Co. KG**  
 Klingenbergstraße 26  
 D-32758 Detmold  
 Germany

www.weidmuller.com

### Product image



Similar to illustration

- 1 CO contact
- Contact material: AgSnO AU
- Unique multi-voltage input from 24 to 230 V UC
- Input voltages 24 V DC and 24 V UC with coloured marking: DC: blue, UC: white
- Version with lockable test button for manual switching

### General ordering data

|            |  |
|------------|--|
| Version    | TERMSERIES, Relay module, Number of contacts: 1, CO contact AgSnO gold-plated, Rated control voltage: 24 V DC $\pm 20\%$ , Continuous current: 6 A, Screw connection, Test button available: Yes |
| Order No.  | <a href="#">2855860000</a>   |
| Type       | TRS 24VDC 1CO AGSNO AU PB  |
| GTIN (EAN) | 4064675534167  |
| Qty.       | 10 items   |

**TRS 24VDC 1CO AGSNO AU PB**
**Weidmüller Interface GmbH & Co. KG**

 Klingenbergstraße 26  
 D-32758 Detmold  
 Germany

[www.weidmueller.com](http://www.weidmueller.com)
**Technical data**
**Approvals**

Approvals



ROHS Conform

 UL File Number Search [UL Website](#)

Certificate no. (cULus) E141197

**Dimensions and weights**

|            |         |                 |             |
|------------|---------|-----------------|-------------|
| Depth      | 87.8 mm | Depth (inches)  | 3.4567 inch |
| Height     | 89.6 mm | Height (inches) | 3.5276 inch |
| Width      | 6.4 mm  | Width (inches)  | 0.252 inch  |
| Net weight | 30.33 g |                 |             |

**Temperatures**

|                       |                |                     |  |
|-----------------------|----------------|---------------------|--|
| Storage temperature   | -40 °C...85 °C | Ambient temperature | -40 °C...60 °C   |
| Operating temperature |                | Humidity            | 5-95% relative humidity,<br>Tu = 40°C, without<br>condensation |

**Environmental Product Compliance**

|                                      |                                      |
|--------------------------------------|--------------------------------------|
| RoHS Compliance Status               | Compliant with exemption             |
| RoHS Exemption (if applicable/known) | 7a, 7cl                              |
| REACH SVHC                           | Lead 7439-92-1                       |
| SCIP                                 | 9e2cbc49-76d9-4611-b8ec-5b4f549a0aa9 |

**Rated data UL**

|   |  |                                    |                          |
|---|--|------------------------------------|--------------------------|
| Ambient temperature (operational), max. | 60 °C  | Output current derating (ohmic)    | 6 A @ 50 °C, 5 A @ 60 °C |
| Connection cross-section AWG, min.      | AWG 26   | Connection cross-section AWG, max. | AWG 14                   |
| Type of conductor                       | rigid copper conductor,<br>flexible copper conductor | Pollution severity level           | 2                        |

**Control side**

|                                       |   |   |           |
|---------------------------------------|---|---|-----------|
| Rated control voltage                 | 24 V DC $\pm$ 20 %                                  | Rated current DC  | 11.5 mA   |
| Power rating                          | 280 mW  | Status indicator  | Green LED |
| Protective circuit                    | Free-wheeling diode,<br>Reverse polarity protection | Coil voltage of the replacement relay<br>deviating from the rated control voltage | No        |
| Coil voltage of the replacement relay | 24 V DC   |   |           |

**Load side**

|   |                                  |   |                                       |
|---|----------------------------------|---|---------------------------------------|
| Rated switching voltage                 | 250 V AC                         | Continuous current                      | 6 A                                   |
| Max. switching frequency at rated load  | 0.1 Hz                           | Max. switching voltage, AC              | 250 V                                 |
| Max. switching voltage, DC              | 250 V                            | Inrush current                          | 30 A / 20 ms                          |
| AC switching capacity (resistive), max. | 1500 VA                          | DC switching capacity (resistive), max. | 144 W @ 24 V                          |
| Switch-on delay                         | $\leq$ 12 ms                     | Switch-off delay                        | $\leq$ 12 ms                          |
| Contact type                            | 1 CO contact (AgSnO gold-plated) | Mechanical service life                 | 10 x 10 <sup>6</sup> switching cycles |
| Min. switching power                    | 1 mA @ 1 V                       |   |                                       |

## TRS 24VDC 1CO AGSNO AU PB

**Weidmüller Interface GmbH & Co. KG**

Klingenbergstraße 26  
D-32758 Detmold  
Germany

www.weidmueller.com

## Technical data

### General data

|                                      |                           |                |
|--------------------------------------|---------------------------|----------------|
| Operating altitude                   | ≤ 2000 m, above sea level |                |
| Mounting rail                        | TS 35                     |                |
| Test button available                | Yes                       |                |
| Version of test button               | Lockable test button      |                |
| Mechanical switch position indicator | No                        |                |
| Colour                               | black                     |                |
| UL94 flammability rating component   | Component                 | Housing        |
|                                      | UL94 flammability rating  | V-0            |
|                                      | Component                 | Retaining clip |
|                                      | UL94 flammability rating  | V-0            |
|                                      | Component                 | Pusher         |
| UL94 flammability rating             | V-0                       |                |

### Insulation coordination

|  |                     |   |                       |
|--|---------------------|---|-----------------------|
| Rated voltage                                    | 300 V               | Pollution severity  | 2                     |
| Surge voltage category                           | III                 | Clearance and creepage distances for control side - load side | ≥ 6 mm                |
| Dielectric strength for control side - load side | 3.51 kVeff / 1 min. | Type of isolation at input and output                         | reinforced insulation |
| Dielectric strength of open contact              | 1 kVeff / 1 min     | Dielectric strength to mounting rail                          | 4 kVeff / 1 Min.      |
| Impulse withstand voltage                        | 6 kV (1.2/50 µs)    | Protection degree   | IP20                  |

### Further details of approvals / standards

|                         |         |
|-------------------------|---------|
| Certificate no. (cULus) | E141197 |
|-------------------------|---------|

### Connection data

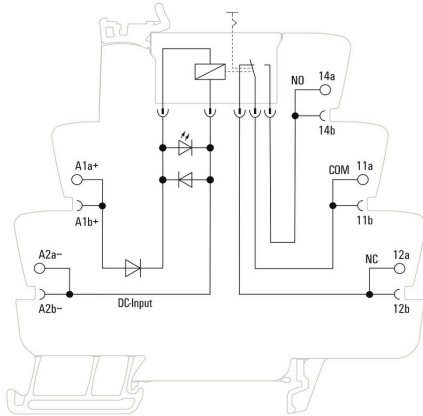
|   |                      |   |                     |
|---|----------------------|---|---------------------|
| Wire connection method  | Screw connection     | Stripping length, rated connection  | 8 mm                |
| Tightening torque, max.   | 0.4 Nm               | Clamping range, rated connection  | 1.5 mm <sup>2</sup> |
| Clamping range, min.  | 0.14 mm <sup>2</sup> | Clamping range, max.  | 2.5 mm <sup>2</sup> |
| Wire connection cross section AWG, min.   | AWG 26               | Wire connection cross section AWG, max.   | AWG 14              |
| Wire cross-section, solid, min.   | 0.14 mm <sup>2</sup> | Wire cross-section, solid, max.   | 2.5 mm <sup>2</sup> |
| Wire cross-section, solid, min. (AWG)   | AWG 26               | Wire cross-section, solid, max. (AWG)   | AWG 14              |
| Wire connection cross section, finely stranded, min.                                    | 0.14 mm <sup>2</sup> | Wire connection cross section, finely stranded, max.                                    | 2.5 mm <sup>2</sup> |
| Wire cross-section, finely stranded, min. (AWG)   | AWG 26               | Wire cross-section, finely stranded, max. (AWG)   | AWG 16              |
| Wire connection cross-section, finely stranded with wire-end ferrules DIN 46228/4, min. | 0.25 mm <sup>2</sup> | Wire connection cross-section, finely stranded with wire-end ferrules DIN 46228/4, max. | 2.5 mm <sup>2</sup> |
| Conductor cross-section, flexible, AEH (DIN 46228-1), min.                              | 0.25 mm <sup>2</sup> | Conductor cross-section, flexible, AEH (DIN 46228-1), max.                              | 1.5 mm <sup>2</sup> |
| Wire connection cross section, finely stranded, two clampable wires, min.               | 0.5 mm <sup>2</sup>  | Wire cross-section, finely stranded, two clampable wires, max.                          | 1 mm <sup>2</sup>   |
| Blade size  | size PHO             |   |                     |

### Classifications

|             |             |             |             |
|-------------|-------------|-------------|-------------|
| ETIM 8.0    | EC001437    | ETIM 9.0    | EC001437    |
| ETIM 10.0   | EC001437    | ECLASS 14.0 | 27-37-16-01 |
| ECLASS 15.0 | 27-37-16-01 |             |             |

**Drawings**

**Wiring diagram**



**Graph**



DC load limit curve Resistive load

**Graph**

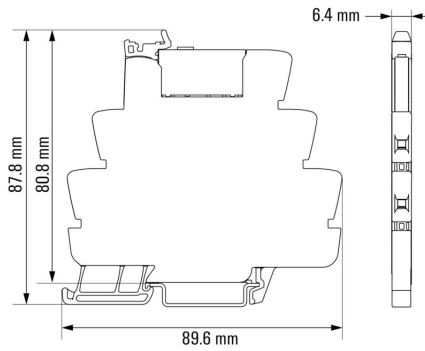
**Derating curve**



Electrical service life 230 V AC  
 resistive load 230 V AC resistive load

**Drawings**

**Dimensional drawing**



**Miscellaneous**

**Function of test button**

Mode is selected by rotating the orange switch.  
 The test button can be rotated endlessly.  
 The groove on the top shows the selected mode.

View from the top:



**Auto Mode:**

Relay contact is controlled by the coil.



**Manual ON:**

Relay is manually switch on without applied coil voltage.  
 - NO contact is closed

**Miscellaneous**

**Recommended screwdriver for test button**



Miscellaneous

Type code TERMSERIES electromechanical relay versions



Sonstiges