

## FC/FFP ZE/32 B BX

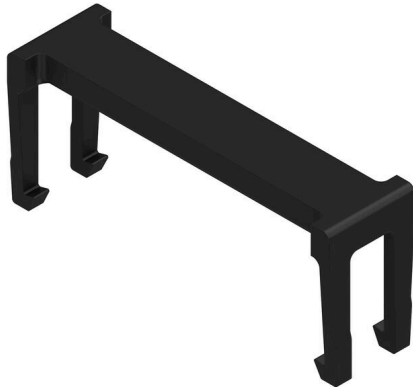
Weidmüller Interface GmbH & Co. KG

Klingenbergstraße 26

D-32758 Detmold

Germany

www.weidmueller.com



### OMNIMATE® - Board-to-Board connectors

#### Flexible engineering of compact devices

The use of future-proof contact systems, as well as the optimisation of manufacturing processes, are increasingly important in the development of efficient industrial devices, especially in the field of Industry 4.0. OMNIMATE® board-to-board connectors feature a 1.27 mm pitch and offer maximum flexibility due to different designs.

- Flexible device design - Industrial suitable density combined with high flexible connection combinations (Mezzanine, Mother-to-Daughter, Extender-card, Cable-to-Board)
- Automation-Ready - Developed for automatic assembly with high precise pin coplanarity and SMT-fixation
- Reliable contact - Up to 500 mating cycles due to industry suitable gold-surface (PdNi-Au)
- Process-Ready - High performance LCP material for reflow soldering
- Scalability - Different heights with high contact overlapping ensure various solutions from 12 – 80 poles.
- Robust miniaturisation - simple and safe connection even possible under unfavorable mating conditions – e.g. inclination or offset.

### General ordering data

Version	PCB plug-in connector, Accessories, Pitch in mm (P): 1.27 mm, Number of poles: 32, Box
Order No.	<a href="#">2853130000</a>
Type	FC/FFP ZE/32 B BX
GTIN (EAN)	4064675475903
Qty.	100 items
Product data	UL:
Packaging	Box

## FC/FFP ZE/32 B BX

Weidmüller Interface GmbH &amp; Co. KG

Klingenbergstraße 26

D-32758 Detmold

Germany

www.weidmueller.com

## Technical data

## Approvals

ROHS	Conform
------	---------

## Dimensions and weights

Depth	6.3 mm	Depth (inches)	0.248 inch
Height	9.9 mm	Height (inches)	0.3898 inch
Width	23.82 mm	Width (inches)	0.9378 inch
Net weight	0.37 g		

## Environmental Product Compliance

RoHS Compliance Status	Compliant without exemption
REACH SVHC	No SVHC above 0.1 wt%

## Material data

Insulating material	LCP	Colour	black
Colour chart (similar)	RAL 9011	Moisture Level (MSL)	1
UL 94 flammability rating	V-0	Contact material	Cu-alloy
Storage temperature, min.	-40 °C	Storage temperature, max.	70 °C
Operating temperature, min.	-55 °C	Operating temperature, max.	125 °C

## Packing

Packaging	Box	VPE length	120.00 mm
VPE width	100.00 mm	VPE height	80.00 mm

## Important note

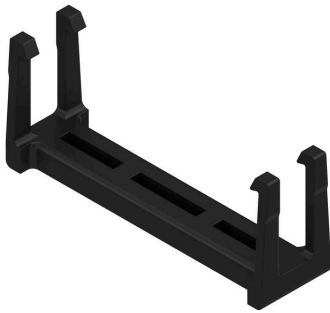
IPC conformity	Conformity: The products are developed, manufactured and delivered according international recognized standards and norms and comply with the assured properties in the data sheet resp. fulfill decorative properties in accordance with IPC-A-610 "Class 2". Further claims on the products can be evaluated on request.
----------------	--

Notes

## Classifications

ETIM 8.0	EC002943	ETIM 9.0	EC002943
ETIM 10.0	EC002943	ECLASS 14.0	27-46-04-02
ECLASS 15.0	27-46-04-02		

Drawings



With optional strain relief



Assembly of strain relief