

**SAI-WDF-M12-5P-K-COD-M16**

**Weidmüller Interface GmbH & Co. KG**  
Klingenbergstraße 26  
D-32758 Detmold  
Germany

[www.weidmueller.com](http://www.weidmueller.com)

**Product image**



**General ordering data**

Order No.	2830790000
Type	<a href="#">SAI-WDF-M12-5P-K-COD-M16</a>
GTIN (EAN)	4064675389163
Qty.	1 items

## SAI-WDF-M12-5P-K-COD-M16

Weidmüller Interface GmbH & Co. KG  
Klingenbergstraße 26  
D-32758 Detmold  
Germany

www.weidmueller.com

## Technical data

## Approvals

Approvals



ROHS Conform

UL File Number Search [UL Website](#)

Certificate No. (cURus) E92202

## Dimensions and weights

Net weight 24 g

## Environmental Product Compliance

RoHS Compliance Status Compliant

REACH SVHC No SVHC above 0.1 wt%

## Technical data customisable plug-in connectors

Number of poles	5	Coding	K-coded
Contact surface	Gold-plated	Type of connection	Screw connection
Housing main material	CuZn, nickel-plated	Contact material	CuZn
Nominal voltage	600 V	Nominal current	12 A
Protection degree	IP65, IP67, IP68	Plugging cycles	≥ 100
Pollution severity	3	Cable gland	M 12
Shield connection	Yes	Temperature range of housing	-25...+85 °C

## Standards

Standard, insulating material IEC 60664-1 Connector standard IEC 61076-2-111

## General technical specifications

Number of poles	5	Coding	K-coded
Connection thread	M12 socket, M12 plug	Contact surface	Gold-plated
Type of connection	Screw connection	Housing main material	CuZn, nickel-plated
Contact material	CuZn	Nominal voltage	600 V
Nominal current	12 A	Protection degree	IP65, IP67, IP68
Plugging cycles	≥ 100	Pollution severity	3
Cable gland	M 12	Temperature range of housing	-25...+85 °C

## Classifications

ETIM 8.0	EC002925	ETIM 9.0	EC002925
ETIM 10.0	EC002925	ECLASS 14.0	27-44-01-06
ECLASS 15.0	27-44-01-06		

**SAI-WDF-M12-5P-K-COD-M16**

**Weidmüller Interface GmbH & Co. KG**  
 Klingenbergstraße 26  
 D-32758 Detmold  
 Germany

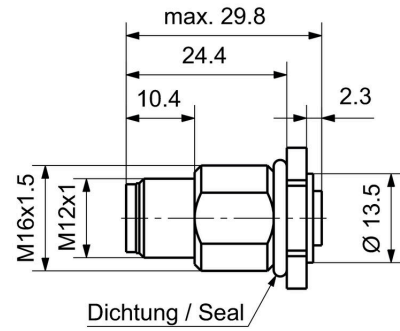
www.weidmueller.com

**Drawings**

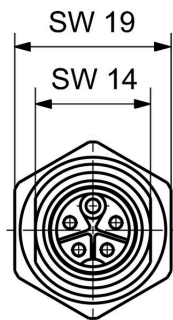
**Product image**



**Dimensioned drawing**

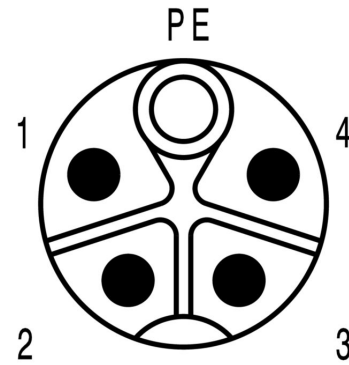


**Detailed drawing**



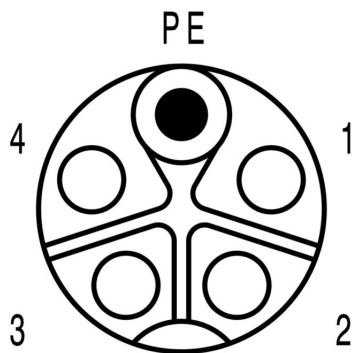
Plug

**Pole scheme**



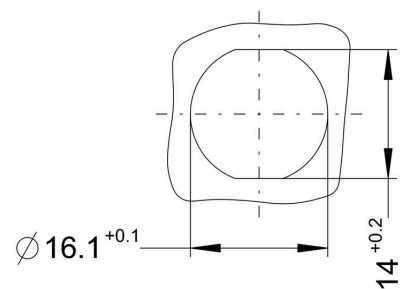
Plug

**Pole scheme**



Socket

**Installation cut-out**



**SAI-WDF-M12-5P-K-COD-M16**

**Weidmüller Interface GmbH & Co. KG**  
Klingenbergstraße 26  
D-32758 Detmold  
Germany

**Drawings**

[www.weidmueller.com](http://www.weidmueller.com)

**Wiring diagram**

