

SAI-WDF-M12-4P-S-COD-M16

Weidmüller Interface GmbH & Co. KG
Klingenbergstraße 26
D-32758 Detmold
Germany

www.weidmueller.com

Product image



General ordering data

Order No.	2830770000
Type	SAI-WDF-M12-4P-S-COD-M16
GTIN (EAN)	4064675389125
Qty.	1 items

SAI-WDF-M12-4P-S-COD-M16

Weidmüller Interface GmbH & Co. KG
Klingenbergstraße 26
D-32758 Detmold
Germany

www.weidmueller.com

Technical data

Approvals

Approvals



ROHS Conform

UL File Number Search [UL Website](#)

Certificate No. (cURus) E92202

Dimensions and weights

Net weight 21.12 g

Environmental Product Compliance

RoHS Compliance Status Compliant without exemption

REACH SVHC No SVHC above 0.1 wt%

Technical data customisable plug-in connectors

Number of poles	4	Coding	S-coded
Contact surface	Gold-plated	Type of connection	Screw connection
Housing main material	CuZn, nickel-plated	Contact material	CuZn
Nominal voltage	600 V	Nominal current	12 A
Protection degree	IP65, IP67, IP68	Plugging cycles	≥ 100
Pollution severity	3	Cable gland	M 12
Shield connection	Yes	Temperature range of housing	-25...+85 °C

Standards

Standard, insulating material IEC 60664-1 Connector standard IEC 61076-2-111

General technical specifications

Number of poles	4	Coding	S-coded
Connection thread	M12 plug, M12 socket	Contact surface	Gold-plated
Type of connection	Screw connection	Housing main material	CuZn, nickel-plated
Contact material	CuZn	Nominal voltage	600 V
Nominal current	12 A	Protection degree	IP65, IP67, IP68
Plugging cycles	≥ 100	Pollution severity	3
Cable gland	M 12	Temperature range of housing	-25...+85 °C

Classifications

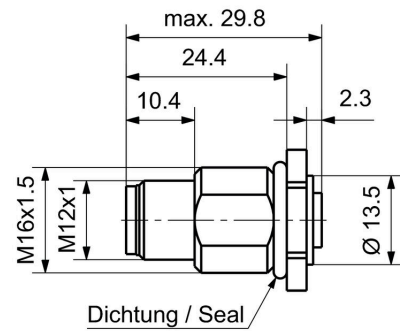
ETIM 8.0	EC002925	ETIM 9.0	EC002925
ETIM 10.0	EC002925	ECLASS 14.0	27-44-01-06
ECLASS 15.0	27-44-01-06		

Drawings

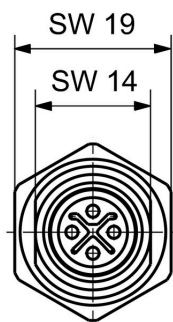
Product image



Dimensioned drawing

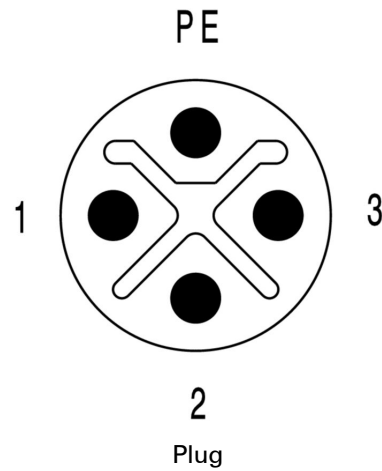


Detailed drawing

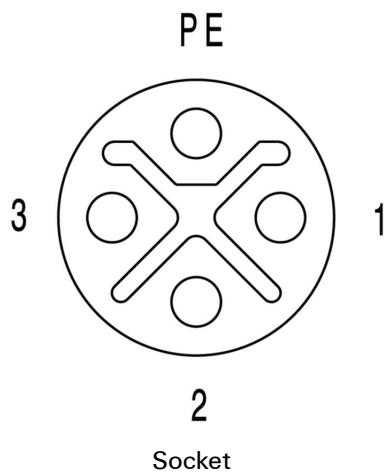


Plug

Pole scheme

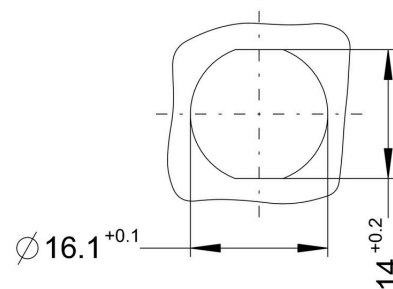


Pole scheme



Socket

Installation cut-out



SAI-WDF-M12-4P-S-COD-M16

Weidmüller Interface GmbH & Co. KG
Klingenbergstraße 26
D-32758 Detmold
Germany

Drawings

www.weidmueller.com

Wiring diagram

