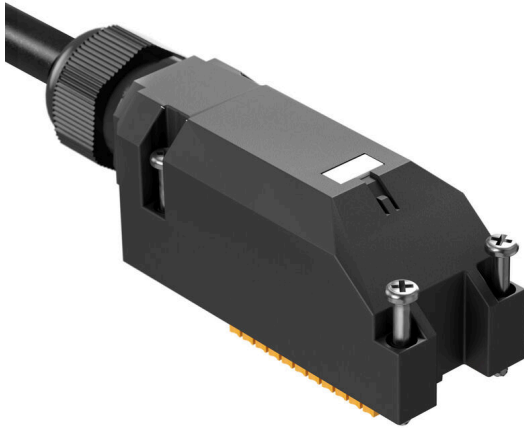


SAI-10Z-MXPP-4A-M08L-PNP-05U07

Weidmüller Interface GmbH & Co. KG
Klingenbergstraße 26
D-32758 Detmold
Germany

www.weidmueller.com



The new M8 hood distribution boxes are extremely compact and feature a comfortable PUSH IN connection. This allows a quick, safe and efficient cabling in the field.

A modular system is available for our hood distributors. Individual markers offer the possibility of individual labeling of the distributor and the I/O sockets.

- 3- and 4-pole M8 I/O sockets
- 4, 6, 8 or 10 I/O sockets
- Protection class IP 67
- UL approval

General ordering data

Version	Sensor-actuator passive distributor, M8, 5 m, Number of poles: 4, Number of contact sockets: 10
Order No.	2819200000
Type	SAI-10Z-MXPP-4A-M08L-PNP-05U07
GTIN (EAN)	4064675330424
Qty.	1 items

SAI-10Z-MXPP-4A-M08L-PNP-05U07

Weidmüller Interface GmbH & Co. KG
Klingenbergstraße 26
D-32758 Detmold
Germany

www.weidmueller.com

Technical data

Approvals

Approvals



ROHS Conform

Dimensions and weights

Net weight 729.52 g

Temperatures

Operating temperature -25 - 80°C

Environmental Product Compliance

RoHS Compliance Status Compliant without exemption
REACH SVHC No SVHC above 0.1 wt%

Connection data

Clamping range, min. 0.08 mm² Clamping range, max. 1.5 mm²

Electrical data

Rated voltage, min. 15 V Rated voltage, max. 30 V
Max. current-carrying capacity per slot 2 A Current per signal 2 A
Electrical isolation available No

General technical data

Protection degree IP67 Number of poles 4
Number of contact sockets 10 Connection thread M8
Pollution severity 3 Fire behaviour V-0
LED No LED initiator No

Material data

Material O-Ring FKM Housing main material PBT
Material of distributor Plastic Housing colour black (similar to RAL 9005)
Hood sealing material FKM Screw socket Nickel-plated CuZn
Contact material CuZn Contact surface Gold-plated
Contact carrier material PBT (UL 94 V0)

Technical data cable

Number of poles 4 Sheathing colour black
Shielded Yes Halogen No
Bending radius, min., moving 10 x cable diameter Bending radius, min., stationary 10 x cable diameter
Bending cycles 2 Mio Sheath material PUR
Colour coding white, green, yellow, black, brown / green, grey, grey / pink, pink, red, red / blue, violet, white / green, Cable length 5 m

SAI-10Z-MXPP-4A-M08L-PNP-05U07

Weidmüller Interface GmbH & Co. KG
Klingenbergstraße 26
D-32758 Detmold
Germany

www.weidmueller.com

Technical data

white / grey, white /
yellow, grey / brown, blue,
brown, Yellow / brown

Suitable for cable carriers

No

Classifications

ETIM 8.0	EC002585	ETIM 9.0	EC002585
ETIM 10.0	EC002585	ECLASS 14.0	27-44-01-08
ECLASS 15.0	27-44-01-08		

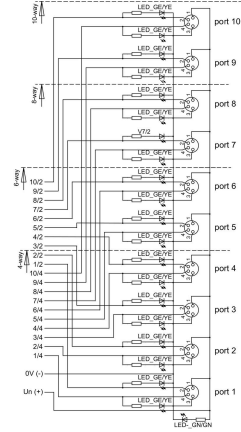
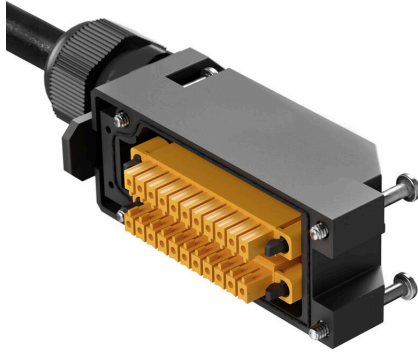
SAI-10Z-MXPP-4A-M08L-PNP-05U07

Weidmüller Interface GmbH & Co. KG
 Klingenbergstraße 26
 D-32758 Detmold
 Germany

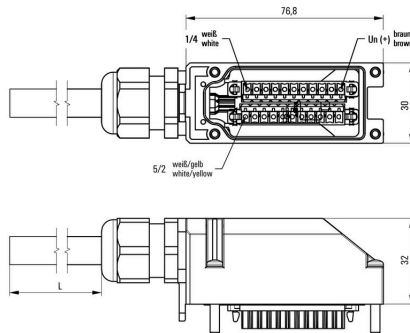
Drawings

www.weidmueller.com

Wiring diagram



Detailed drawing



SAI-10Z-MXPP-4A-M08L-PNP-05U07

Weidmüller Interface GmbH & Co. KG
 Klingenbergstraße 26
 D-32758 Detmold
 Germany

www.weidmueller.com

Accessories

Blank



MultiFit is the Weidmüller marker system used for other makes of terminals. Similar to the Weidmüller Dekafix, the markers of the MultiFit family are available ready-for-use with standard printing.

We recommend to carry out a test with sample markers on the terminals used when using MultiFit for the first time.

- One marker, suitable for different makes of terminals.
- Ready-to-use markers with standard printing
- Blank markers for printing with the PrintJet CONNECT or Plotter
- Delivery of individually printed markers according to customer CAE data or specifications
- One marking system for all applications

For custom printing: Please send us a file of our labeling software M-Print PRO or M-Print PRO Online (without installation) for your labeling specifications.

General ordering data

Type	MFF 10/6 MC NE WS	Version	
Order No.	1856780000		MultiFit, Terminal marker, 10 x 6 mm, Pitch in mm (P): 6.00 Festo,
GTIN (EAN)	4032248400881		white
Qty.	600 ST		