

SAI-08Z-MXPP-4A-M08L-PNP-05U06

Weidmüller Interface GmbH & Co. KG
Klingenbergstraße 26
D-32758 Detmold
Germany

www.weidmueller.com



The new M8 hood distribution boxes are extremely compact and feature a comfortable PUSH IN connection. This allows a quick, safe and efficient cabling in the field.

A modular system is available for our hood distributors. Individual markers offer the possibility of individual labeling of the distributor and the I/O sockets.

- 3- and 4-pole M8 I/O sockets
- 4, 6, 8 or 10 I/O sockets
- Protection class IP 67
- UL approval

General ordering data

| | |
|------------|--|
| Version | Sensor-actuator passive distributor, M8, 5 m, Number of poles: 4, Number of contact sockets: 8 |
| Order No. | 2819190000 |
| Type | SAI-08Z-MXPP-4A-M08L-PNP-05U06 |
| GTIN (EAN) | 4064675330417 |
| Qty. | 1 items |

SAI-08Z-MXPP-4A-M08L-PNP-05U06

Weidmüller Interface GmbH & Co. KG
Klingenbergstraße 26
D-32758 Detmold
Germany

www.weidmueller.com

Technical data

Approvals

Approvals



ROHS Conform

Dimensions and weights

Net weight 554.4 g

Temperatures

Operating temperature -25 - 80°C

Environmental Product Compliance

RoHS Compliance Status Compliant without exemption
REACH SVHC No SVHC above 0.1 wt%

Connection data

Clamping range, min. 0.08 mm² Clamping range, max. 1.5 mm²

Electrical data

| | | | |
|---|------|---------------------|------|
| Rated voltage, min. | 15 V | Rated voltage, max. | 30 V |
| Max. current-carrying capacity per slot | 2 A | Current per signal | 2 A |
| Electrical isolation available | No | | |

General technical data

| | | | |
|---------------------------|------|-------------------|-----|
| Protection degree | IP67 | Number of poles | 4 |
| Number of contact sockets | 8 | Connection thread | M8 |
| Pollution severity | 3 | Fire behaviour | V-0 |
| LED | No | LED initiator | No |

Material data

| | | | |
|--------------------------|----------------|-----------------------|-----------------------------|
| Material O-Ring | FKM | Housing main material | PBT |
| Material of distributor | Plastic | Housing colour | black (similar to RAL 9005) |
| Hood sealing material | FKM | Screw socket | Nickel-plated CuZn |
| Contact material | CuZn | Contact surface | Gold-plated |
| Contact carrier material | PBT (UL 94 V0) | | |

Technical data cable

| | | | |
|------------------------------|--|----------------------------------|---------------------|
| Number of poles | 4 | Sheathing colour | black |
| Shielded | Yes | Halogen | No |
| Bending radius, min., moving | 10 x cable diameter | Bending radius, min., stationary | 10 x cable diameter |
| Bending cycles | 2 Mio | Sheath material | PUR |
| Colour coding | white, green, yellow, black, brown / green, grey, grey / pink, pink, red, red / blue, violet, white / green, | Cable length | 5 m |

SAI-08Z-MXPP-4A-M08L-PNP-05U06

Weidmüller Interface GmbH & Co. KG
Klingenbergstraße 26
D-32758 Detmold
Germany

www.weidmueller.com

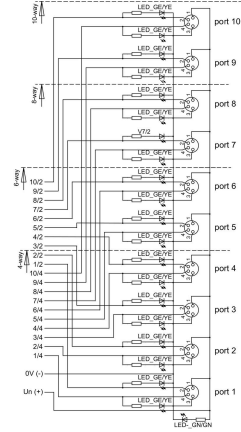
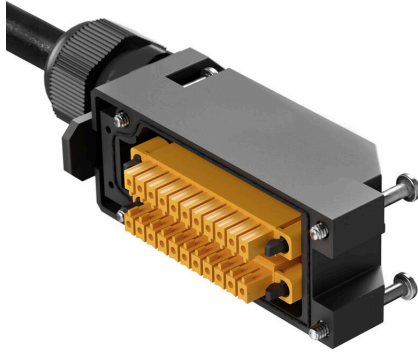
Technical data

| | |
|-----------------------------|---|
| | white / grey, white / yellow, grey / brown, blue, brown, Yellow / brown |
| Suitable for cable carriers | No |

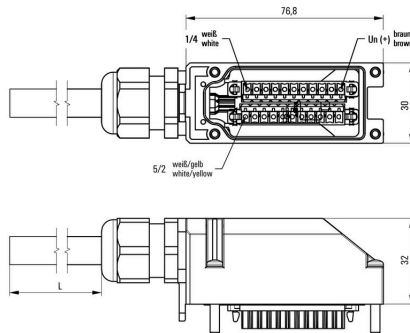
Classifications

| | | | |
|-------------|-------------|-------------|-------------|
| ETIM 8.0 | EC002585 | ETIM 9.0 | EC002585 |
| ETIM 10.0 | EC002585 | ECLASS 14.0 | 27-44-01-08 |
| ECLASS 15.0 | 27-44-01-08 | | |

Wiring diagram



Detailed drawing



SAI-08Z-MXPP-4A-M08L-PNP-05U06

Weidmüller Interface GmbH & Co. KG
 Klingenbergstraße 26
 D-32758 Detmold
 Germany

Accessories

www.weidmueller.com

Blank



MultiFit is the Weidmüller marker system used for other makes of terminals. Similar to the Weidmüller Dekafix, the markers of the MultiFit family are available ready-for-use with standard printing.

We recommend to carry out a test with sample markers on the terminals used when using MultiFit for the first time.

- One marker, suitable for different makes of terminals.
- Ready-to-use markers with standard printing
- Blank markers for printing with the PrintJet CONNECT or Plotter
- Delivery of individually printed markers according to customer CAE data or specifications
- One marking system for all applications

For custom printing: Please send us a file of our labeling software M-Print PRO or M-Print PRO Online (without installation) for your labeling specifications.

General ordering data

| | | | |
|------------|----------------------------|---------|--|
| Type | MFF 10/6 MC NE WS | Version | |
| Order No. | 1856780000 | | MultiFit, Terminal marker, 10 x 6 mm, Pitch in mm (P): 6.00 Festo, |
| GTIN (EAN) | 4032248400881 | | white |
| Qty. | 600 ST | | |