

SAIL-M12GM12W-4-5.0TOV

Weidmüller Interface GmbH & Co. KG
Klingenbergstraße 26
D-32758 Detmold
Germany

www.weidmueller.com

Product image



General ordering data

Version	Sensor/actuator line, M12 / M12, Number of poles : 4, 5 m, Shielded: No, LED: No, Sheath material: PUR, Halogen: No
Order No.	2812630500
Type	SAIL-M12GM12W-4-5.0TOV
GTIN (EAN)	4064675342595
Qty.	1 items

SAIL-M12GM12W-4-5.0TOV

Weidmüller Interface GmbH & Co. KG
 Klingenbergstraße 26
 D-32758 Detmold
 Germany

www.weidmueller.com

Technical data

Approvals

Approvals



ROHS	Conform
UL File Number Search	UL Website
Certificate no. (cULus)	E307231

Dimensions and weights

Net weight	170 g
------------	-------

Environmental Product Compliance

RoHS Compliance Status	Compliant with exemption
RoHS Exemption (if applicable/known)	6c
REACH SVHC	Lead 7439-92-1
SCIP	bd63baef-8092-4596-90c7-5b4daa22710b

Technical specifications for cable

Cable length	5 m	Sheathing colour	orange
Suitable for cable carriers	Yes	Core cross-section	0.34 mm ²
Shielded	No	Halogen	No
Bending radius, min., moving	7.5 x cable diameter	Bending radius, min., stationary	4 x cable diameter
Bending cycles	10 Mio	Sheath material	PUR
LABS-free	Yes	Outer cladding in accordance with UL AWM style	20233 (80 °C / 300 V)
Core in accordance with UL AWM style	10995 (80 °C / 300 V)	Irradiation crosslinked	No
Welding spark resistance	Yes	Colour coding	brown, blue, black, white
Torsion resistance	360 °/m	Temperature range, stationary	-40...80 °C
Resistant to welding beads	Yes	Temperature range, moving	-25...80 °C
Number of poles	4	Outside diameter	4.9 mm ± 0.2 mm

General technical data

Coding	A-coded	Connection thread	M12 / M12
Contact surface	Gold-plated	LED	No
Housing main material	PUR	Nominal voltage	24 V
Nominal current	4 A	AF size	12 mm
Protection degree	IP65, IP66, IP67, IP68, when screwed in	Pollution severity	3
Temperature range of housing	-25...+85 °C		

Electrical properties

Nominal voltage	24 V
-----------------	------

General standards

Certificate no. (cULus)	E307231
-------------------------	---------

SAIL-M12GM12W-4-5.0TOV

Weidmüller Interface GmbH & Co. KG
Klingenbergstraße 26
D-32758 Detmold
Germany

www.weidmueller.com

Technical data**Plug, left**

Plug left M12, A-coded, IP68, male contact, straight, Plastic

Plug, right

Plug right M12, A-coded, IP68, female contact, angled 90°, Plastic

Classifications

ETIM 8.0	EC001855	ETIM 9.0	EC001855
ETIM 10.0	EC001855	ECLASS 14.0	27-06-03-11
ECLASS 15.0	27-06-03-11		

SAIL-M12GM12W-4-5.0TOV

Weidmüller Interface GmbH & Co. KG
 Klingenbergstraße 26
 D-32758 Detmold
 Germany

Drawings

www.weidmueller.com

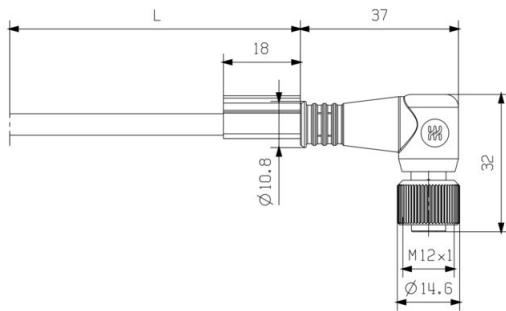
Detailed drawing



Dimensioned drawing



Dimensioned drawing



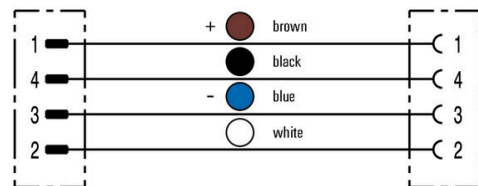
Pole scheme



Pole scheme



Wiring diagram



The ideal tool: Screwty® with torque function



Light, securely screwed-in round plug-in connectors. Screwty set DM / VPE: 1 / Order No.: 1920000000 Adapters: M12, M12 F, M8, M8 F