

**SAIL-M12GM12W-4-2.5TOV**

**Weidmüller Interface GmbH & Co. KG**  
Klingenbergstraße 26  
D-32758 Detmold  
Germany

www.weidmueller.com

**Product image**



**General ordering data**

Version	Sensor/actuator line, M12 / M12, Number of poles : 4, 2.5 m, Shielded: No, LED: No, Sheath material: PUR, Halogen: No
Order No.	<a href="#">2812630250</a>
Type	SAIL-M12GM12W-4-2.5TOV
GTIN (EAN)	4064675342571
Qty.	1 items

## SAIL-M12GM12W-4-2.5TOV

**Weidmüller Interface GmbH & Co. KG**  
 Klingenbergstraße 26  
 D-32758 Detmold  
 Germany

www.weidmueller.com

## Technical data

### Approvals

Approvals



ROHS	Conform
UL File Number Search	<a href="#">UL Website</a>
Certificate no. (cULus)	E307231

### Dimensions and weights

Net weight	120 g
------------	-------

### Environmental Product Compliance

RoHS Compliance Status	Compliant with exemption
RoHS Exemption (if applicable/known)	6c
REACH SVHC	Lead 7439-92-1
SCIP	bd63baef-8092-4596-90c7-5b4daa22710b

### Technical specifications for cable

Cable length	2.5 m	Sheathing colour	orange
Suitable for cable carriers	Yes	Core cross-section	0.34 mm <sup>2</sup>
Shielded	No	Halogen	No
Bending radius, min., moving	7.5 x cable diameter	Bending radius, min., stationary	4 x cable diameter
Bending cycles	10 Mio	Sheath material	PUR
LABS-free	Yes	Outer cladding in accordance with UL AWM style	20233 (80 °C / 300 V)
Core in accordance with UL AWM style	10995 (80 °C / 300 V)	Irradiation crosslinked	No
Welding spark resistance	Yes	Colour coding	brown, blue, black, white
Torsion resistance	360 °/m	Temperature range, stationary	-40...80 °C
Resistant to welding beads	Yes	Temperature range, moving	-25...80 °C
Number of poles	4	Outside diameter	4.9 mm ± 0.2 mm

### General technical data

Coding	A-coded	Connection thread	M12 / M12
Contact surface	Gold-plated	LED	No
Housing main material	PUR	Nominal voltage	24 V
Nominal current	4 A	AF size	12 mm
Protection degree	IP65, IP66, IP67, IP68, when screwed in	Pollution severity	3
Temperature range of housing	-25...+85 °C		

### Electrical properties

Nominal voltage	24 V
-----------------	------

### General standards

Certificate no. (cULus)	E307231
-------------------------	---------

**SAIL-M12GM12W-4-2.5TOV**

**Weidmüller Interface GmbH & Co. KG**  
Klingenbergstraße 26  
D-32758 Detmold  
Germany

[www.weidmueller.com](http://www.weidmueller.com)

**Technical data****Plug, left**

Plug left M12, A-coded, IP68, male contact, straight, Plastic

**Plug, right**

Plug right M12, A-coded, IP68, female contact, angled 90°, Plastic

**Classifications**

ETIM 8.0	EC001855	ETIM 9.0	EC001855
ETIM 10.0	EC001855	ECLASS 14.0	27-06-03-11
ECLASS 15.0	27-06-03-11		

**SAIL-M12GM12W-4-2.5TOV**

**Weidmüller Interface GmbH & Co. KG**  
 Klingenbergstraße 26  
 D-32758 Detmold  
 Germany

www.weidmueller.com

**Drawings**

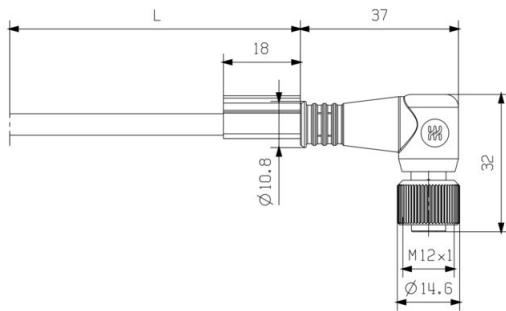
**Detailed drawing**



**Dimensioned drawing**



**Dimensioned drawing**



**Pole scheme**



**Pole scheme**



**Wiring diagram**



### The ideal tool: Screwty® with torque function

---



Light, securely screwed-in round plug-in connectors. Screwty set DM / VPE: 1 / Order No.: 1920000000 Adapters: M12, M12 F, M8, M8 F