

**SAIL-M12BW-4-3LR2.0TOV**

**Weidmüller Interface GmbH & Co. KG**  
Klingenbergstraße 26  
D-32758 Detmold  
Germany

www.weidmueller.com

**Product image**



**General ordering data**

|            |  |
|------------|--|
| Version    | Sensor/actuator line, M12, Number of poles : 4, 2 m, Socket, angled, Shielded: No, LED: Yes, Sheath material: PUR, Halogen: No |
| Order No.  | <a href="#">2812530200</a>   |
| Type       | SAIL-M12BW-4-3LR2.0TOV   |
| GTIN (EAN) | 4064675342748  |
| Qty.       | 1 items  |

**SAIL-M12BW-4-3LR2.0TOV**

**Weidmüller Interface GmbH & Co. KG**  
 Klingenbergstraße 26  
 D-32758 Detmold  
 Germany

www.weidmueller.com

**Technical data****Approvals**

Approvals



|                       |                            |
|-----------------------|----------------------------|
| ROHS                  | Conform                    |
| UL File Number Search | <a href="#">UL Website</a> |
| Certificate No. (UL)  | E307231                    |

**Dimensions and weights**

|            |       |
|------------|-------|
| Net weight | 110 g |
|------------|-------|

**Environmental Product Compliance**

|                                      |                                      |
|--------------------------------------|--------------------------------------|
| RoHS Compliance Status               | Compliant with exemption             |
| RoHS Exemption (if applicable/known) | 6c, 7cl                              |
| REACH SVHC                           | Lead 7439-92-1                       |
| SCIP                                 | bd63baef-8092-4596-90c7-5b4daa22710b |

**Technical specifications for cable**

|                                      |                       |  |                           |
|--------------------------------------|-----------------------|--|---------------------------|
| Cable length                         | 2 m                   | Sheathing colour                               | orange                    |
| Suitable for cable carriers          | Yes                   | Core cross-section                             | 0.34 mm <sup>2</sup>      |
| Shielded                             | No                    | Halogen  | No                        |
| Bending radius, min., moving         | 7.5 x cable diameter  | Bending radius, min., stationary               | 4 x cable diameter        |
| Bending cycles                       | 10 Mio                | Sheath material                                | PUR                       |
| LABS-free                            | Yes                   | Outer cladding in accordance with UL AWM style | 20233 (80 °C / 300 V)     |
| Core in accordance with UL AWM style | 10995 (80 °C / 300 V) | Irradiation crosslinked                        | No                        |
| Welding spark resistance             | Yes                   | Colour coding                                  | brown, blue, black, white |
| Torsion resistance                   | 360 °/m               | Temperature range, stationary                  | -40...80 °C               |
| Resistant to welding beads           | Yes                   | Temperature range, moving                      | -25...80 °C               |
| Number of poles                      | 4                     | Outside diameter                               | 4.9 mm ± 0.2 mm           |

**General technical data**

|                    |                |                              |   |
|--------------------|----------------|------------------------------|---|
| Coding             | A-coded        | Connection thread            | M12                                     |
| Contact surface    | Gold-plated    | LED                          | Yes                                     |
| Version            | Socket, angled | Housing main material        | PUR                                     |
| Nominal voltage    | 24 V           | Nominal current              | 4 A                                     |
| AF size            | 12 mm          | Protection degree            | IP65, IP66, IP67, IP68, when screwed in |
| Pollution severity | 3              | Temperature range of housing | -25...+85 °C                            |

**Electrical properties**

|                 |      |
|-----------------|------|
| Nominal voltage | 24 V |
|-----------------|------|

**General standards**

|                      |         |
|----------------------|---------|
| Certificate No. (UL) | E307231 |
|----------------------|---------|

**SAIL-M12BW-4-3LR2.0TOV**

**Weidmüller Interface GmbH & Co. KG**  
 Klingenbergstraße 26  
 D-32758 Detmold  
 Germany

[www.weidmueller.com](http://www.weidmueller.com)

**Technical data**

**Plug, left**

|           |  |
|-----------|--|
| Plug left | M12, A-coded, IP68,<br>female contact, angled<br>90°, Plastic, LED |
|-----------|--|

**Plug, right**

|            |                    |
|------------|--------------------|
| Plug right | free conductor end |
|------------|--------------------|

**Classifications**

|             |             |             |             |
|-------------|-------------|-------------|-------------|
| ETIM 8.0    | EC001855    | ETIM 9.0    | EC001855    |
| ETIM 10.0   | EC001855    | ECLASS 14.0 | 27-06-03-11 |
| ECLASS 15.0 | 27-06-03-11 |             |             |

SAIL-M12BW-4-3LR2.0TOV

Weidmüller Interface GmbH & Co. KG  
Klingenbergstraße 26  
D-32758 Detmold  
Germany

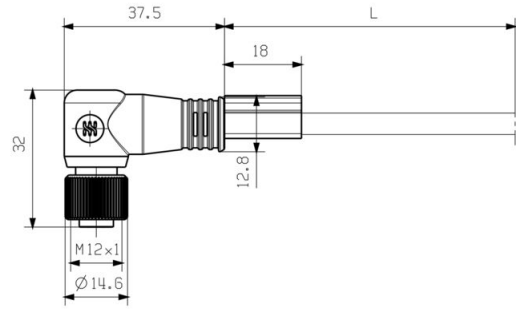
www.weidmueller.com

Drawings

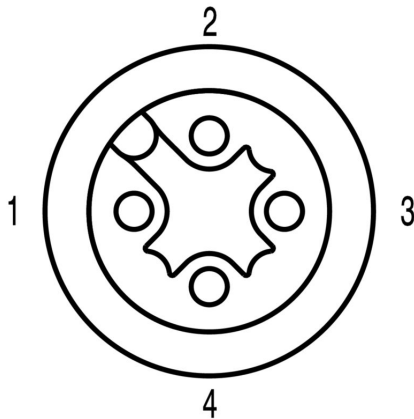
Detailed drawing



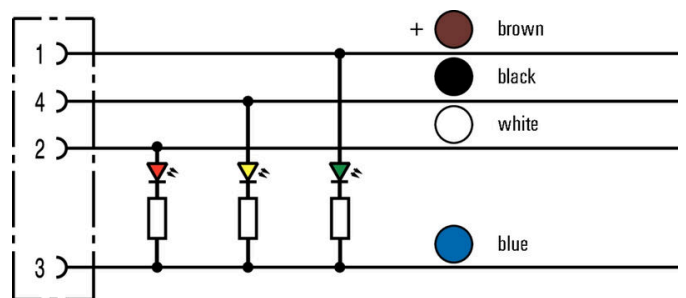
Dimensioned drawing



Pole scheme



Wiring diagram



### The ideal tool: Screwty® with torque function

---



Light, securely screwed-in round plug-in connectors. Screwty set DM / VPE: 1 / Order No.: 1920000000 Adapters: M12, M12 F, M8, M8 F

## SAIL-M12BW-4-3LR2.0TOV

**Weidmüller Interface GmbH & Co. KG**  
Klingenbergstraße 26  
D-32758 Detmold  
Germany

www.weidmueller.com

## Accessories

### Cutting tools



Cutting tools for conductors up to 8 mm, 12 mm, 14 mm and 22 mm outside diameter. The special blade geometry allows pinch-free cutting of copper and aluminium conductors with minimum physical effort. The cutting tools (KT 8 to KT 22) also come with VDE and GS-tested protective insulation up to 1,000 V in accordance with EN/IEC 60900.

### General ordering data

|            |                            |         |  |
|------------|----------------------------|---------|--|
| Type       | KT 8                       | Version |  |
| Order No.  | <a href="#">9002650000</a> | Version | Cutting tools, Cutting tool for one-hand operation |
| GTIN (EAN) | 4008190020163              |         |  |
| Qty.       | 1 ST                       |         |  |

### Tools



Sheathing stripper for PVC cables

### General ordering data

|            |                            |         |                            |
|------------|----------------------------|---------|----------------------------|
| Type       | AM 12                      | Version |                            |
| Order No.  | <a href="#">9030060000</a> | Version | Tools, Sheathing strippers |
| GTIN (EAN) | 4008190337827              |         |                            |
| Qty.       | 1 ST                       |         |                            |

### Screwty® cable gland tool with torque function



The ideal tool for any application  
Screwty® is the ideal, all-purpose tool for tightening all common sensor and actuator cables. Even difficult-to-reach round plugs are accessible using the Screwty®. A simple turning movement tightens and loosens the connectors without the need for excessive force. The Screwty® is a unique and global solution since it fits with most cables and plugs from other vendors (over 90 %). The Screwty® consists of a handle with a conventional 1/4" adapter. Thus it can be used for all sizes: for M12 and M8 round plug-in connectors, and for M12F and M8F customisable plugs and sockets, as well as for all M23 plugs and sockets.

## SAIL-M12BW-4-3LR2.0TOV

**Weidmüller Interface GmbH & Co. KG**  
 Klingenbergstraße 26  
 D-32758 Detmold  
 Germany

www.weidmueller.com

## Accessories

### General ordering data

|            |                            |  |
|------------|----------------------------|--|
| Type       | SCREWTY-M12-DM             | Version                                |
| Order No.  | <a href="#">1900001000</a> | Cable gland tool for moulded M12 lines |
| GTIN (EAN) | 4032248436408              |  |
| Qty.       | 1 ST                       |  |
| Type       | SAI-SCREWTY BOX            | Version                                |
| Order No.  | <a href="#">1939180000</a> | Bolting tool                           |
| GTIN (EAN) | 4032248615506              |  |
| Qty.       | 1 ST                       |  |

### Tools



- Stripping tools with automatic self-adjustment
- For flexible and solid conductors
- Ideally suitable for mechanical and plant engineering, railway and rail traffic, wind energy, robot technology, explosion protection as well as marine, offshore and ship building sectors
- Stripping length adjustable via end stop
- Automatic opening of clamping jaws after stripping
- No fanning-out of individual conductors
- Adjustable to diverse insulation thicknesses
- Double-insulated cables in two process steps without special adjustment
- No play in self-adjusting cutting unit
- Long service life
- Optimised ergonomic design

### General ordering data

|            |                            |                            |
|------------|----------------------------|----------------------------|
| Type       | STRIPPER 6-16 RED-LINE     | Version                    |
| Order No.  | <a href="#">9203110000</a> | Stripping and cutting tool |
| GTIN (EAN) | 4032248541423              |                            |
| Qty.       | 1 ST                       |                            |

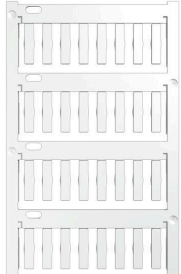
**SAIL-M12BW-4-3LR2.0TOV**

**Weidmüller Interface GmbH & Co. KG**  
 Klingenbergstraße 26  
 D-32758 Detmold  
 Germany

www.weidmueller.com

**Accessories**

**Blank**



TM-I is an acknowledged and accredited marker type for traffic engineering applications. There are various different tag lengths available for individual labelling with long character strings. Easy handling of separation and installation thanks to the project marker field. Pre-attachment of sleeves and retrofitting of tags offer excellent versatility

The special contour of TM-I allows easy assembly and secures firm positioning. They are compatible with a number of commercially available sleeves. Thanks to the MultiCard format, the tags can be printed quickly and conveniently with the PrintJet CONNECT, plotter or the STI pen.

- Easy handling of separation and installation thanks to the project marker field.
- Acknowledged and accredited marker for traffic engineering applications
- Pre-attachment of sleeves and retrofitting of tags offer excellent versatility
- Not suited for labelling with P-Ink or STI pen in connection with CLI T sleeves

For custom printing: Please send us a file of our labeling software M-Print PRO or M-Print PRO Online (without installation) for your labeling specifications.

**General ordering data**

|            |                            |  |
|------------|----------------------------|--|
| Type       | TM-I 18 MC NE WS           | Version  |
| Order No.  | <a href="#">1718431044</a> | TM-I, Insert markers, 1.5 - 22 mm, 18 x 4 mm, white  |
| GTIN (EAN) | 4008190349011              |  |
| Qty.       | 320 ST                     |  |
| Type       | TM-I 18 MC NE GE           | Version  |
| Order No.  | <a href="#">1718431687</a> | TM-I, Insert markers, 1.5 - 22 mm, 18 x 4 mm, yellow |
| GTIN (EAN) | 4008190349028              |  |
| Qty.       | 320 ST                     |  |