

IE-TO-RJ45-C-LP

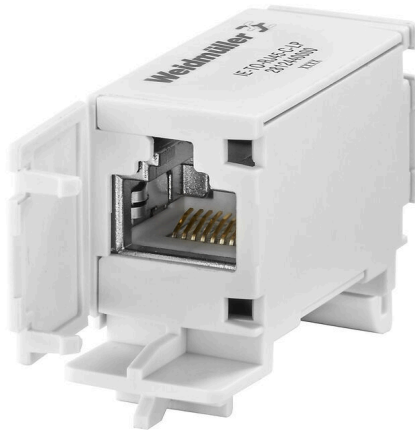
Weidmüller Interface GmbH & Co. KG

Klingenbergstraße 26

D-32758 Detmold

Germany

www.weidmueller.com



Mounting rail outlet, RJ45 junction design according to IEC 60603-7-51

General ordering data

Version	Mounting rail outlet, RJ45, Coupling, IP20, Cat.6A / Class EA (ISO/IEC 11801 2010)
Order No.	2812440000
Type	IE-TO-RJ45-C-LP
GTIN (EAN)	4064675295822
Qty.	10 items

IE-TO-RJ45-C-LP

Weidmüller Interface GmbH & Co. KG

Klingenbergstraße 26
D-32758 Detmold
Germany

www.weidmueller.com

Technical data

Approvals

ROHS	Conform
------	---------

Dimensions and weights

Net weight	23.14 g
------------	---------

Temperatures

Storage temperature	Operating temperature	-40 °C...70 °C
Installation temperature	Humidity	0...93 % rel. humidity

Environmental Product Compliance

RoHS Compliance Status	Compliant without exemption
REACH SVHC	No SVHC above 0.1 wt%

General data

Reference product	IE-BI-RJ45-C	Connection 1	RJ45
Connection 2	RJ45	Wiring	Coupling
Colour	Light Grey	Shock resistance acc. to IEC 60512-6-3	500 ms# ²
Vibration resistance acc. to IEC 60512-6-4	50 ms ⁻² sinusoidal (10...500 Hz)	Humidity	0...93 % rel. humidity
Housing main material	PA 66 UL V0 E63957	Category	Cat.6A / Class EA (ISO/IEC 11801 2010)
Contact material	Spring steel, Ni 1.2 µm	Contact surface	Au ≥ 0.8 µm
Type of mounting	TS 35	Shielding	Yes
Protection degree	IP20	Plugging cycles	750 (RJ45)

Electrical properties

Contact resistance	≤ 20 mΩ	Dielectric strength, contact / shield	≥ 1500 V AC/DC
Dielectric strength, contact / contact	≥ 1000 V AC/DC	Insulation resistance	500 MΩ
Current-carrying capacity at 50 °C	1 A	PoE / PoE+	conforming to IEEE 802.3af

General standards

Connector standard	IEC 60603-7-51
--------------------	----------------

Classifications

ETIM 8.0	EC000313	ETIM 9.0	EC000313
ETIM 10.0	EC000313	ECLASS 14.0	27-44-03-20
ECLASS 15.0	27-44-03-20		

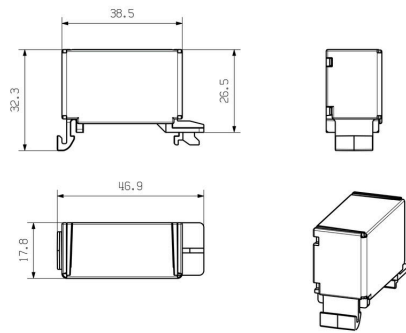
IE-TO-RJ45-C-LP

Weidmüller Interface GmbH & Co. KG
Klingenbergstraße 26
D-32758 Detmold
Germany

www.weidmueller.com

Drawings

Dimensional drawing



Dimensional drawing

