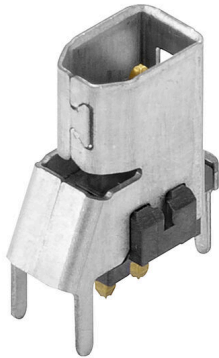


IE-PCB-SPE-P-180V2.1-THR RL

Weidmüller Interface GmbH & Co. KG
 Klingenbergstraße 26
 D-32758 Detmold
 Germany

www.weidmueller.com



SPElink®



Single Pair Ethernet PCB sockets

Single pair Ethernet is a technology that only requires one pair of wires to transmit data and power.

The resulting benefits will make SPE the preferred network at the field level and beyond.

Advantages of Single Pair Ethernet:

- Consistent: Single Pair Ethernet enables uniform Ethernet-based communication from the sensor to the cloud
- Future-proof: key technology for Industry 4.0 and IIoT
- Flexible: ranges of up to 1000 m and transmission properties of up to 1 Gbps enable use across applications
- Innovative: lighter, less space required, and reduced installation effort

General ordering data

| | |
|------------|---|
| Version | PCB plug-in connector, SPE (Single Pair Ethernet), Clip-on flange, THT/THR solder connection, 1.80 mm, Number of poles: 2, 180°, Solder pin length (l): 2.1 mm, Ni/Au, silver, Tape |
| Order No. | 2795170000 |
| Type | IE-PCB-SPE-P-180V2.1-THR RL |
| GTIN (EAN) | 4064675119265 |
| Qty. | 100 items |
| Packaging | Tape |

IE-PCB-SPE-P-180V2.1-THR RL

Weidmüller Interface GmbH & Co. KG
Klingenbergstraße 26
D-32758 Detmold
Germany

www.weidmueller.com

Technical data

Approvals

Approvals



| | |
|-------------------------|----------------------------|
| ROHS | Conform |
| UL File Number Search | UL Website |
| Certificate No. (cURus) | E316369 |

Dimensions and weights

| | | | |
|------------|--------|-----------------|-------------|
| Depth | 9.3 mm | Depth (inches) | 0.3661 inch |
| Height | 9 mm | Height (inches) | 0.3543 inch |
| Width | 5 mm | Width (inches) | 0.1968 inch |
| Net weight | 4.03 g | | |

Temperatures

Installation temperature

Environmental Product Compliance

| | |
|------------------------|-----------------------------|
| RoHS Compliance Status | Compliant without exemption |
| REACH SVHC | No SVHC above 0.1 wt% |

System specifications

| | | | |
|---------------------------|---|----------------------------------|--|
| Number of poles | 2 | LED | No |
| Solder pin length (l) | 2.1 mm | Mounting onto the PCB | THT/THR solder connection |
| Pitch in inches (P) | 0.071 " | Shielding material | CuSn |
| Shielding | Yes | Side termination, characteristic | Clip-on flange |
| Plugging force/pole, max. | 3.5 N | Transmission rate | 10/100 MBit/s, 1000 MBit/s, 10/100/1000 MBit/s |
| Pulling force/pole, max. | 6.7 N | Type of connection | Solder connection |
| Category | T1-B | Pitch in mm (P) | 1.80 mm |
| Protection degree | IP20 | Plugging cycles | 750 |
| Outgoing elbow | 180° | Shield surface | tinned |
| Performance-Category | T1-B 10/100 MBit/s, 1000 MBit/s, 10/100/1000 MBit/s | Soldering process | Reflow soldering, Manual soldering, Wave soldering |
| Plugging force/pole, min. | 9.10 N | Pulling force / pole, min. | 3.40 N |
| Solder pin dimensions | Octagonal | Tolerance of solder pin position | ± 0.1 mm |

Electrical properties

| | | | |
|---------------------------------------|-----------|--|--------------------------------|
| Dielectric strength, contact / shield | 2250 V DC | Dielectric strength, contact / contact | 1000 V DC |
| Insulation resistance | ≥ 500 MΩ | Nominal voltage | 72 V |
| Rated current | 4 A | PoE / PoE+ | PoDL acc. to IEEE 802.3bu / cg |

Standards

| | |
|--------------------|-------------|
| Connector standard | IEC 63171-2 |
|--------------------|-------------|

IE-PCB-SPE-P-180V2.1-THR RL

Weidmüller Interface GmbH & Co. KG
 Klingenbergstraße 26
 D-32758 Detmold
 Germany

www.weidmueller.com

Technical data

Material data

| | | | |
|-----------------------------|----------|--------------------------------------|----------------------------|
| Insulating material | LCP | Colour | silver |
| Colour chart (similar) | RAL 7001 | Insulation resistance | ≥ 500 MΩ |
| Moisture Level (MSL) | 1 | UL 94 flammability rating | V-0 |
| Contact base material | CuMg | Contact material | Cu-alloy |
| Contact surface | Ni/Au | Layer structure of solder connection | 2...4 μm Ni / ≥ 0.25 μm Au |
| Operating temperature, min. | -40 °C | Operating temperature, max. | 85 °C |

Packing

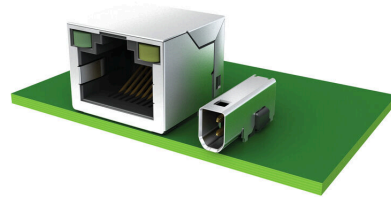
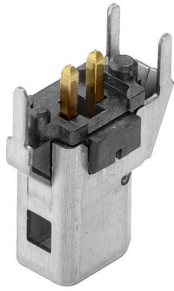
| | | | |
|-----------|-----------|------------|-----------|
| Packaging | Tape | VPE length | 330.00 mm |
| VPE width | 330.00 mm | VPE height | 29.00 mm |

Important note

| | | | |
|-------|--|--|--|
| Notes | | | |
|-------|--|--|--|

Classifications

| | | | |
|-------------|-------------|-------------|-------------|
| ETIM 8.0 | EC002637 | ETIM 9.0 | EC002637 |
| ETIM 10.0 | EC002637 | ECLASS 14.0 | 27-46-02-01 |
| ECLASS 15.0 | 27-46-02-01 | | |

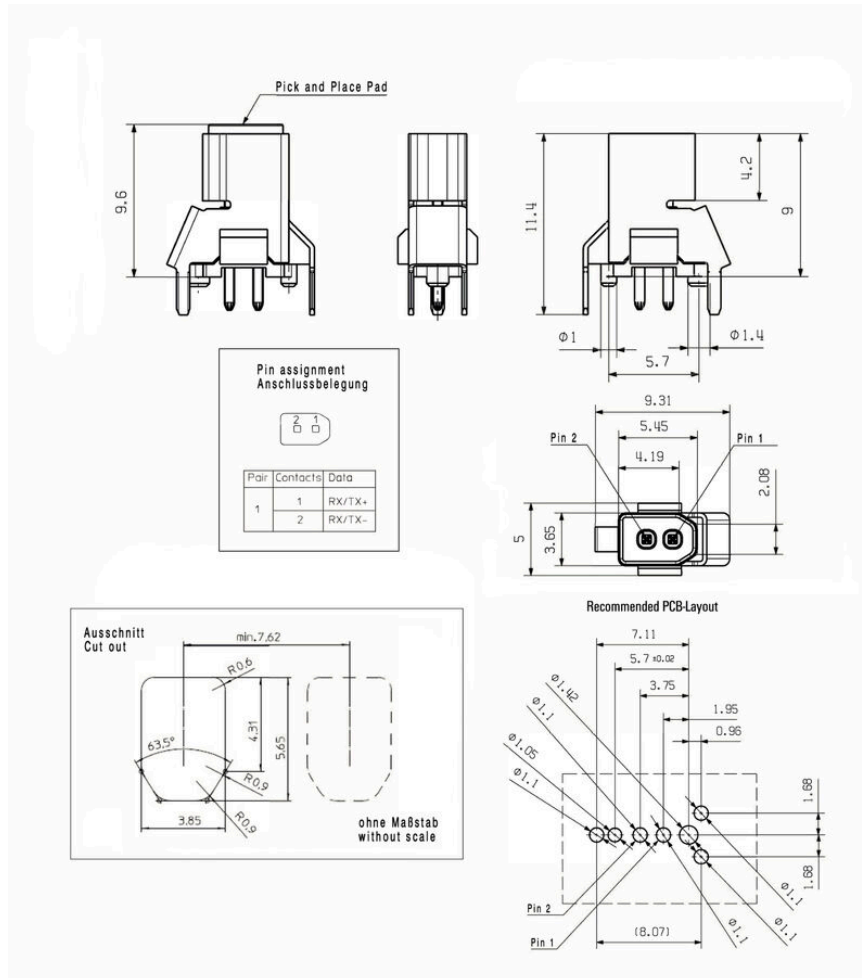


IE-PCB-SPE-P-180V2.1-THR RL

Weidmüller Interface GmbH & Co. KG
 Klingenbergstraße 26
 D-32758 Detmold
 Germany

Drawings

www.weidmueller.com



IE-PCB-SPE-P-180V2.1-THR RL

Weidmüller Interface GmbH & Co. KG
 Klingenbergstraße 26
 D-32758 Detmold
 Germany

www.weidmueller.com

Counterpart

IP20 Patch Cable



Single pair Ethernet is a technology that only requires one pair of wires to transmit data and power.

The resulting benefits will make SPE the preferred network at the field level and beyond. Advantages of Single Pair Ethernet

- Consistent: Single Pair Ethernet enables uniform Ethernet-based communication from the sensor to the cloud
- Future-proof: key technology for Industry 4.0 and IIoT
- Flexible: ranges of up to 1000 m and transmission properties of up to 1 Gbps enable use across applications
- Innovative: lighter, less space required, and reduced installation effort

General ordering data

| | | |
|------------|----------------------------|---|
| Type | IE-S1DS2VE0010T01T01-E | Version |
| Order No. | 2725850010 | Patch cable, SPE plug (IEC 63171-2) - IP20 socket contact straight, |
| GTIN (EAN) | 4050118824544 | SPE plug (IEC 63171-2) - IP20 socket contact straight, T1-B, PVC, 1 m |
| Qty. | 1 ST | |
| Type | IE-S1DS2VE0020T01T01-E | Version |
| Order No. | 2725850020 | Patch cable, SPE plug (IEC 63171-2) - IP20 socket contact straight, |
| GTIN (EAN) | 4050118825312 | SPE plug (IEC 63171-2) - IP20 socket contact straight, T1-B, PVC, 2 m |
| Qty. | 1 ST | |
| Type | IE-S1DS2VE0030T01T01-E | Version |
| Order No. | 2725850030 | Patch cable, SPE plug (IEC 63171-2) - IP20 socket contact straight, |
| GTIN (EAN) | 4050118825329 | SPE plug (IEC 63171-2) - IP20 socket contact straight, T1-B, PVC, 3 m |
| Qty. | 1 ST | |
| Type | IE-S1DS2VE0050T01T01-E | Version |
| Order No. | 2725850050 | Patch cable, SPE plug (IEC 63171-2) - IP20 socket contact straight, |
| GTIN (EAN) | 4050118825336 | SPE plug (IEC 63171-2) - IP20 socket contact straight, T1-B, PVC, 5 m |
| Qty. | 1 ST | |