

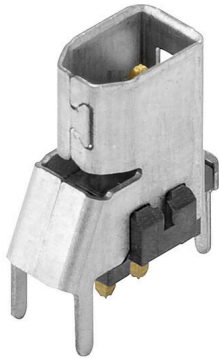
IE-PCB-SPE-P-180V2.1-THR RL**Weidmüller Interface GmbH & Co. KG**

Klingenbergstraße 26

D-32758 Detmold

Germany

www.weidmueller.com



SPElink®

**Single Pair Ethernet PCB sockets**

Single pair Ethernet is a technology that only requires one pair of wires to transmit data and power.

The resulting benefits will make SPE the preferred network at the field level and beyond.

Advantages of Single Pair Ethernet:

- Consistent: Single Pair Ethernet enables uniform Ethernet-based communication from the sensor to the cloud
- Future-proof: key technology for Industry 4.0 and IIoT
- Flexible: ranges of up to 1000 m and transmission properties of up to 1 Gbps enable use across applications
- Innovative: lighter, less space required, and reduced installation effort

General ordering data

Version	PCB plug-in connector, SPE (Single Pair Ethernet), Clip-on flange, THT/THR solder connection, 1.80 mm, Number of poles: 2, 180°, Solder pin length (l): 2.1 mm, Ni/Au, silver, Tape
Order No.	2795170000
Type	IE-PCB-SPE-P-180V2.1-THR RL
GTIN (EAN)	4064675119265
Qty.	100 items
Packaging	Tape
Delivery status	This article will no longer be available in the future.
Last order date	2026-06-30T00:00:00+02:00

IE-PCB-SPE-P-180V2.1-THR RL

Weidmüller Interface GmbH & Co. KG
Klingenbergstraße 26
D-32758 Detmold
Germany

www.weidmueller.com

Technical data

Approvals

Approvals



ROHS	Conform
UL File Number Search	UL Website
Certificate No. (cURus)	E316369

Dimensions and weights

Depth	9.3 mm	Depth (inches)	0.3661 inch
Height	9 mm	Height (inches)	0.3543 inch
Width	5 mm	Width (inches)	0.1968 inch
Net weight	4.03 g		

Temperatures

Installation temperature

Environmental Product Compliance

RoHS Compliance Status	Compliant without exemption
REACH SVHC	No SVHC above 0.1 wt%

System specifications

Number of poles	2	LED	No
Solder pin length (l)	2.1 mm	Mounting onto the PCB	THT/THR solder connection
Pitch in inches (P)	0.071 "	Shielding material	CuSn
Shielding	Yes	Side termination, characteristic	Clip-on flange
Plugging force/pole, max.	3.5 N	Transmission rate	10/100 MBit/s, 1000 MBit/s, 10/100/1000 MBit/s
Pulling force/pole, max.	6.7 N	Type of connection	Solder connection
Category	T1-B	Pitch in mm (P)	1.80 mm
Protection degree	IP20	Plugging cycles	750
Outgoing elbow	180°	Shield surface	tinned
Performance-Category	T1-B 10/100 MBit/s, 1000 MBit/s, 10/100/1000 MBit/s	Soldering process	Reflow soldering, Manual soldering, Wave soldering
Plugging force/pole, min.	9.10 N	Pulling force / pole, min.	3.40 N
Solder pin dimensions	Octagonal	Tolerance of solder pin position	± 0.1 mm

Electrical properties

Dielectric strength, contact / shield	2250 V DC	Dielectric strength, contact / contact	1000 V DC
Insulation resistance	≥ 500 MΩ	Nominal voltage	72 V
Rated current	4 A	PoE / PoE+	PoDL acc. to IEEE 802.3bu / cg

Standards

Connector standard	IEC 63171-2
--------------------	-------------

IE-PCB-SPE-P-180V2.1-THR RL

Weidmüller Interface GmbH & Co. KG
 Klingenbergstraße 26
 D-32758 Detmold
 Germany

www.weidmueller.com

Technical data

Material data

Insulating material	LCP	Colour	silver
Colour chart (similar)	RAL 7001	Insulation resistance	≥ 500 MΩ
Moisture Level (MSL)	1	UL 94 flammability rating	V-0
Contact base material	CuMg	Contact material	Cu-alloy
Contact surface	Ni/Au	Layer structure of solder connection	2...4 μm Ni / ≥ 0.25 μm Au
Operating temperature, min.	-40 °C	Operating temperature, max.	85 °C

Packing

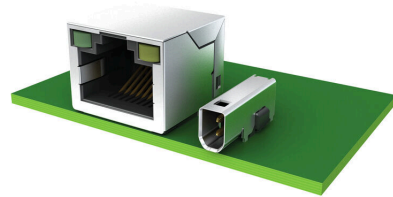
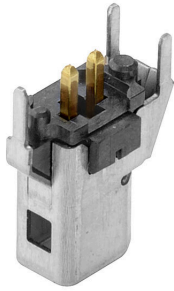
Packaging	Tape	VPE length	330.00 mm
VPE width	330.00 mm	VPE height	29.00 mm

Important note

Notes

Classifications

ETIM 8.0	EC002637	ETIM 9.0	EC002637
ETIM 10.0	EC002637	ECLASS 14.0	27-46-02-01
ECLASS 15.0	27-46-02-01		

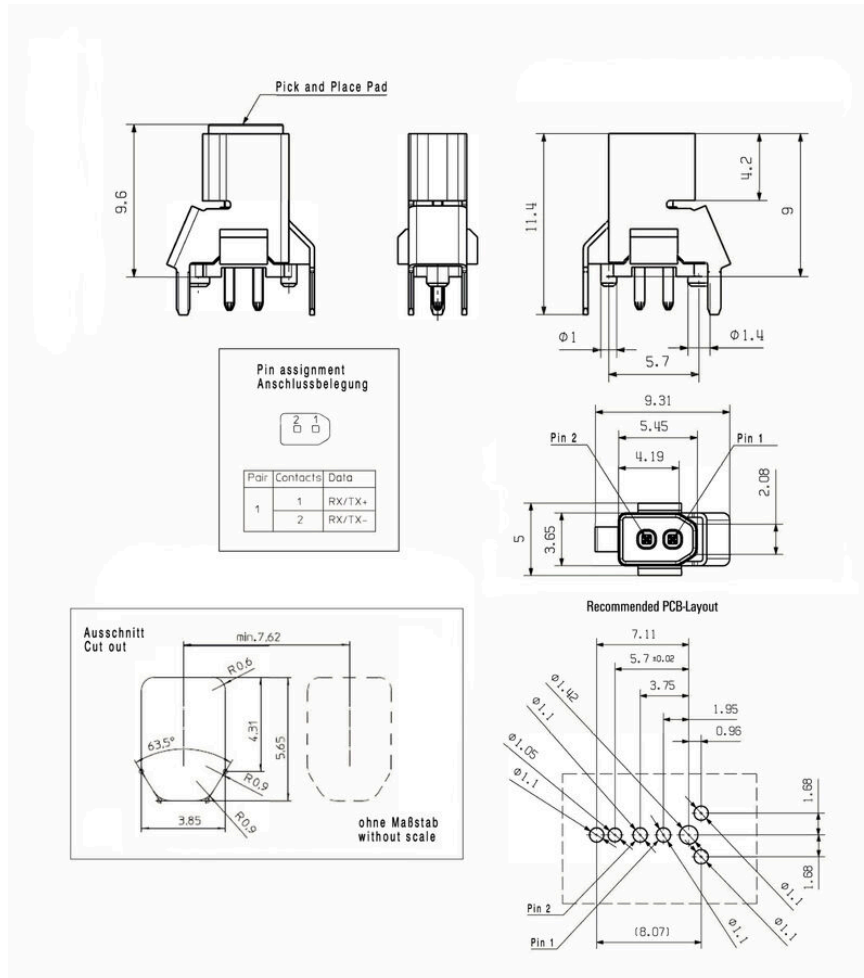


IE-PCB-SPE-P-180V2.1-THR RL

Weidmüller Interface GmbH & Co. KG
 Klingenbergstraße 26
 D-32758 Detmold
 Germany

Drawings

www.weidmueller.com



IE-PCB-SPE-P-180V2.1-THR RL

Weidmüller Interface GmbH & Co. KG
 Klingenbergstraße 26
 D-32758 Detmold
 Germany

www.weidmueller.com

Counterpart

IP20 Patch Cable



Single pair Ethernet is a technology that only requires one pair of wires to transmit data and power. The resulting benefits will make SPE the preferred network at the field level and beyond. Advantages of Single Pair Ethernet

- Consistent: Single Pair Ethernet enables uniform Ethernet-based communication from the sensor to the cloud
- Future-proof: key technology for Industry 4.0 and IIoT
- Flexible: ranges of up to 1000 m and transmission properties of up to 1 Gbps enable use across applications
- Innovative: lighter, less space required, and reduced installation effort

General ordering data

Type	IE-S1DS2VE0010T01T01-E	Version
Order No.	2725850010	Patch cable, SPE plug (IEC 63171-2) - IP20 socket contact straight,
GTIN (EAN)	4050118824544	SPE plug (IEC 63171-2) - IP20 socket contact straight, T1-B, PVC, 1 m
Qty.	1 ST	
Type	IE-S1DS2VE0020T01T01-E	Version
Order No.	2725850020	Patch cable, SPE plug (IEC 63171-2) - IP20 socket contact straight,
GTIN (EAN)	4050118825312	SPE plug (IEC 63171-2) - IP20 socket contact straight, T1-B, PVC, 2 m
Qty.	1 ST	
Type	IE-S1DS2VE0030T01T01-E	Version
Order No.	2725850030	Patch cable, SPE plug (IEC 63171-2) - IP20 socket contact straight,
GTIN (EAN)	4050118825329	SPE plug (IEC 63171-2) - IP20 socket contact straight, T1-B, PVC, 3 m
Qty.	1 ST	
Type	IE-S1DS2VE0050T01T01-E	Version
Order No.	2725850050	Patch cable, SPE plug (IEC 63171-2) - IP20 socket contact straight,
GTIN (EAN)	4050118825336	SPE plug (IEC 63171-2) - IP20 socket contact straight, T1-B, PVC, 5 m
Qty.	1 ST	