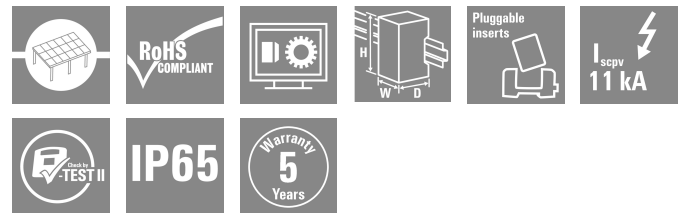
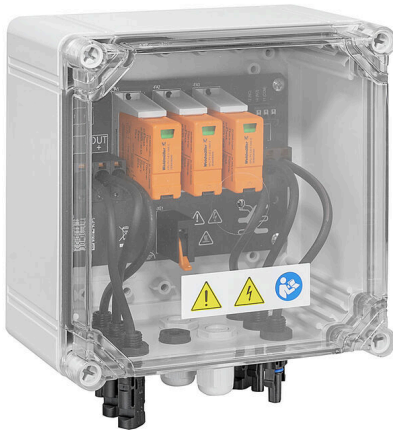


PVN DC 2I 1O 1MPP SPD1R WM4 11

Weidmüller Interface GmbH & Co. KG
 Klingenbergstraße 26
 D-32758 Detmold
 Germany

www.weidmuller.com



PV Next combiner boxes for inverters with 1 to 12 MPP trackers are used to protect the DC side of a photovoltaic system. The combiner boxes protect the inverter against overvoltages and thus comply with the European Directive CLC/TS 5 1643-32. In addition, these products offer the possibility to protect the system against reverse currents and the possibility to combine strings to save cables during installation.

General ordering data

| | |
|------------|---|
| Version | Photovoltaics, Combiner Box, PV Next, 1100 V, 1 MPP, 2 Inputs / 1 Output per MPP, Surge protection I / II, WM4C |
| Order No. | 2791920000 |
| Type | PVN DC 2I 1O 1MPP SPD1R WM4 11 |
| GTIN (EAN) | 4064675072966 |
| Qty. | 1 items |

PVN DC 2I 10 1MPP SPD1R WM4 11

Weidmüller Interface GmbH & Co. KG
 Klingenbergstraße 26
 D-32758 Detmold
 Germany

www.weidmueller.com

Technical data

Approvals

Approvals



ROHS Conform

Dimensions and weights

| | | | |
|------------|--------|-----------------|-------------|
| Depth | 132 mm | Depth (inches) | 5.1968 inch |
| Height | 234 mm | Height (inches) | 9.2126 inch |
| Width | 200 mm | Width (inches) | 7.874 inch |
| Net weight | 1660 g | | |

Temperatures

Ambient temperature -40 °C...50 °C Humidity 5...95 %, no condensation

Environmental Product Compliance

| | |
|------------------------|--------------------------------------|
| RoHS Compliance Status | Compliant |
| REACH SVHC | Lead 7439-92-1 |
| SCIP | bdab5698-6a20-4370-8e28-8810d882d01a |

Included in delivery

| | | |
|----------------------|----------|---------------|
| Included accessories | Article | Mounting foot |
| | Quantity | 4 |

Approvals and norms

Approvals EN 61439-2, IEC 61439-2

Guarantee

Time interval 5 years

Electrical characteristics

| | |
|---------------------------------------|----------------------------------|
| Rated DC voltage | 1100 V |
| Rated short-term current resistance | Rated current 37.5 A |
| Current per Maximum Power Point, max. | 30 A |
| Rated DC current per connection | Current per string, max. 30.00 A |

Enclosure

| | | | |
|---------------------|--|------------------------|-------------------------|
| Insulating material | Polycarbonate, Polyester glass-fibre reinforced, Polycarbonate | Type of mounting | Wall mounting, 4 screws |
| Impact resistance | IK08 in accordance with IEC 62208, IK10 in accordance with IEC 62262 | Enclosure attachment | Via mounting feet |
| Protection class | II | Connection type string | Plug WM4C |

PVN DC 2I 10 1MPP SPD1R WM4 11

Weidmüller Interface GmbH & Co. KG

Klingenbergstraße 26
D-32758 Detmold
Germany

www.weidmueller.com

Technical data

General data

| | | | |
|-----------------------|---------------------------------------|-------------------|------|
| Standards | EN 61643-31 | Protection degree | IP65 |
| Installation location | Protected outdoor area (Land and Sea) | | |

Inputs

| | | | |
|--------------------------------------|--|---|--|
| Amount of maximum power points (MPP) | 1 | | |
| Functional earth connector | Cable entry | Number of cable entries | 1 |
| | Wire connection | Type of connection | Tension clamp connection with actuator |
| | | Flexible, max. H05(07) V-K | 25 mm ² |
| | | w. wire end ferrule, DIN 46228 pt 1, max. | 16 mm ² |
| Number of conduit inlets | 2 | | |
| DC Input + & - | Wire connection | Type of connection | WM4C plug-in connector |
| | | Compatible cable cross-section | EN 50618:2015 |
| | | Wire cross-section, min. | 4 mm ² |
| | | Wire cross-section, max. | 6 mm ² |
| Fuse type | Neither fuse cartridge nor holder | | |
| Fuses | No | | |
| Max. number of DC inputs | per Maximum Power Point 2 inputs connected in parallel | | |
| Number of string inputs per MPP | ≤ 2 | | |
| Surge protection auxiliary contact | Cable entry | Number of cable entries | 1 |
| | Wire connection | Type of connection | Tension clamp connection with actuator |
| | | Flexible, max. H05(07) V-K | 1.5 mm ² |
| | | w. wire end ferrule, DIN 46228 pt 1, max. | 1.5 mm ² |
| Number of inputs | 2 | | |

Outputs

| | | | |
|---------------------------|----------------------------------|--------------------------------|------------------------|
| Max. number of DC outputs | per Maximum Power Point 1 output | | |
| DC Output + & - | Wire connection | Type of connection | WM4C plug-in connector |
| | | Compatible cable cross-section | TÜV 2 Pfg1169/08.07 |
| | | Wire cross-section, min. | 4 mm ² |
| | | Wire cross-section, max. | 6 mm ² |

Surge protection DC side

| | | | |
|--|-------------|--|-----------|
| Standards | EN 61643-31 | Discharge current, max. (8/20 μs) | 40 kA |
| Short-circuit current I _{SCPV} | 11000 A | Total discharge current I _{total} (8/20 μs) | 50 kA |
| Discharge current I _n (8/20 μs) | 20 kA | Requirements class | Type I/II |
| Protection level Up (-/PE) | ≤ 3.8 kV | Protection level Up (+/-) | ≤ 3.8 kV |

PVN DC 2I 10 1MPP SPD1R WM4 11

Weidmüller Interface GmbH & Co. KG
 Klingenbergstraße 26
 D-32758 Detmold
 Germany

www.weidmueller.com

Technical data

| | | | |
|---|----------|------------------------------|--------|
| Protection level Up (+/PE) | ≤ 3.8 kV | PV system voltage, max. Ucpv | 1100 V |
| Maximum continuous operating voltage DC UCPV mode +/-, -/PE, +/PE | | 1100 V | |

DC load break switch

| | | | |
|--------------|----|-------------------------------|-----------|
| Voltage type | DC | Switch disconnecter execution | no switch |
|--------------|----|-------------------------------|-----------|

Important note

| | |
|---------------------|---|
| Product information | The SCIP number was assigned due to a lead content of more than 0.1 % of the net weight. Safe use instruction according to ECHA: The identification of the hazardous substance is sufficient to allow safe use of the article throughout its life cycle, including the service life, disassembly and waste/recycling phase |
|---------------------|---|

Classifications

| | | | |
|-------------|-------------|-------------|-------------|
| ETIM 8.0 | EC003857 | ETIM 9.0 | EC003857 |
| ETIM 10.0 | EC003857 | ECLASS 14.0 | 22-57-02-92 |
| ECLASS 15.0 | 22-57-02-92 | | |

Tender specification sheets

| | |
|--------------------|---|
| Long specification | <p>Combiner box for inverters with 1 MPP tracker, suitable for protecting the DC side of a photovoltaic system according to EN 51543-32. MPP1: 2 inputs, connection via WM4 C connector, compatible with cable type TÜV 2 Pfg1 169/08.07 / EN 50618:2063</p> <p>1 output, connection via WM4 C connector, compatible with cable type TÜV 2 Pfg1 169/08.07 / EN 50618:2063</p> <p>Max. string voltage Uoc: 1100V</p> <p>1 class/type I + II combined arrester with signal contact</p> <p>Connection of the signal contact via cable glands (8-12mmØ) max. conductor cross-section: 1.5mm²</p> <p>Connection of the functional earth via cable glands (8-12mmØ) Conductor cross-section: 16-25mm²</p> <p>Protection class: IP65</p> <p>All built into a glass fibre reinforced polyester housing. Dimensions HxWxD: 234x200x132 mm</p> <p>Approval according to low voltage switchgear and controlgear IEC 61439-1:2011 and EN 61439-2:2011</p> |
|--------------------|---|

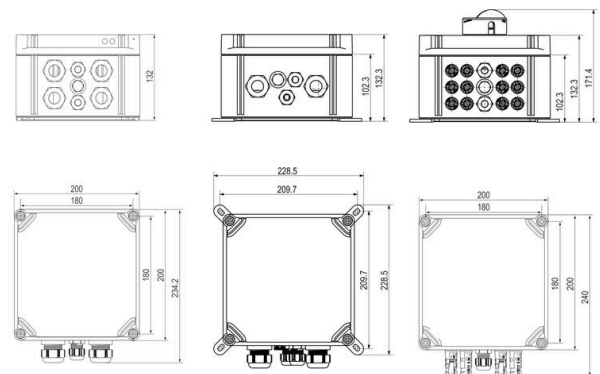
PVN DC 2I 1O 1MPP SPD1R WM4 11

Weidmüller Interface GmbH & Co. KG
Klingenbergstraße 26
D-32758 Detmold
Germany

www.weidmueller.com

Drawings

PCB design



PVN DC 2I 10 1MPP SPD1R WM4 11

Weidmüller Interface GmbH & Co. KG
Klingenbergstraße 26
D-32758 Detmold
Germany

Drawings

www.weidmueller.com

