

## B2T 2.5 VL

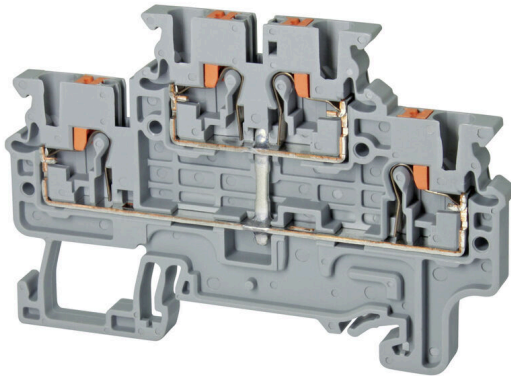
**Weidmüller Interface GmbH & Co. KG**

Klingenbergstraße 26

D-32758 Detmold

Germany

[www.weidmueller.com](http://www.weidmueller.com)



### General ordering data

Version	Feed-through terminal, 2.5, 800, 24, grey
Order No.	<a href="#">2791120000</a>
Type	B2T 2.5 VL
GTIN (EAN)	4064675070313
Qty.	50 items
Delivery status	This article will no longer be available in the future.
Available until	2025-12-31T00:00:00+01:00
Alternative product	<a href="#">B2T 2.5N VL</a>
Local product	Only available in certain countries

## B2T 2.5 VL

**Weidmüller Interface GmbH & Co. KG**  
 Klingenbergstraße 26  
 D-32758 Detmold  
 Germany

www.weidmueller.com

## Technical data

## Approvals

Approvals



ROHS Conform  
 UL File Number Search [UL Website](#)  
 Certificate No. (cURus) E60693

## General ordering data

Local product Only available in certain countries

## Dimensions and weights

Depth	49.55 mm	Depth (inches)	1.9508 inch
Height	72.7 mm	Height (inches)	2.8622 inch
Width	5 mm	Width (inches)	0.1968 inch
Net weight	10.6 g		

## Temperatures

Continuous operating temp., min.	-50 °C	Continuous operating temp., max.	120 °C
----------------------------------	--------	----------------------------------	--------

## Environmental Product Compliance

RoHS Compliance Status	Compliant without exemption
REACH SVHC	No SVHC above 0.1 wt%

## Material data

Basic material	PA 66/6	Colour	grey
Colour of operational elements	orange	UL 94 flammability rating	V-0

## System specifications

End cover plate required	Yes	Number of potentials	1
Number of levels	2	Number of clamping points per level	2
Mounting rail	TS 35	N-function	No
PE function	No	PEN function	No

## Additional technical data

Snap-on	No	Type of fixing	Snap-on
Type of mounting	TS 35		

## Conductors for clamping (rated connection)

Gauge to IEC 60947-1	A3	Wire connection cross section AWG, max.	AWG 12
Connection direction	top	Stripping length	10 mm
Type of connection	PUSH IN	Number of connections	4
Clamping range, max.	2.5 mm <sup>2</sup>	Clamping range, min.	0.2 mm <sup>2</sup>

## B2T 2.5 VL

**Weidmüller Interface GmbH & Co. KG**

Klingenbergstraße 26  
D-32758 Detmold  
Germany

www.weidmueller.com

## Technical data

Blade size	0.6 x 3.5 mm	Wire connection cross section AWG, min.	AWG 24
Wire connection cross-section, finely stranded with wire-end ferrules DIN 46228/4, max.	2.5 mm <sup>2</sup>	Wire connection cross-section, finely stranded with wire-end ferrules DIN 46228/4, min.	0.2 mm <sup>2</sup>
Wire connection cross-section, finely stranded with wire-end ferrules DIN 46228/1, max.	2.5 mm <sup>2</sup>	Wire connection cross-section, finely stranded with wire-end ferrules DIN 46228/1, min.	0.2 mm <sup>2</sup>
Wire connection cross section, finely stranded, max.	2.5 mm <sup>2</sup>	Wire connection cross section, finely stranded, min.	0.2 mm <sup>2</sup>
Connection cross-section, stranded, max.	2.5 mm <sup>2</sup>	Connection cross-section, stranded, min.	0.2 mm <sup>2</sup>
Wire connection cross-section, solid core, max.	2.5 mm <sup>2</sup>	Wire connection cross-section, solid core, min.	0.2 mm <sup>2</sup>
Connection cross-section, finely stranded, min.	0.2 mm <sup>2</sup>		

### General

Wire connection cross section AWG, max.	AWG 12	Wire connection cross section AWG, min.	AWG 24
Mounting rail	TS 35		

### Rating data

Rated cross-section	2.5 mm <sup>2</sup>	Rated voltage	800 V
Nominal current	24 A	Volume resistance according to IEC 60947-7-x	1.33 mΩ
Rated impulse withstand voltage	8 kV	Surge voltage category	III
Pollution severity	3		

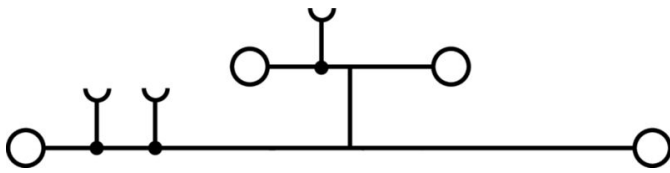
### UL rating data

Certificate No. (cURus)	E60693
-------------------------	--------

### Classifications

ETIM 8.0	EC000897	ETIM 9.0	EC000897
ETIM 10.0	EC000897	ECLASS 14.0	27-25-01-02
ECLASS 15.0	27-25-01-02		

**Drawings**



## B2T 2.5 VL

**Weidmüller Interface GmbH & Co. KG**  
 Klingenbergstraße 26  
 D-32758 Detmold  
 Germany

## Accessories

www.weidmueller.com

### Accessories

#### General ordering data

Type	BEP 2T 2.5	Version
Order No.	<a href="#">2791160000</a>	B-series, End plate
GTIN (EAN)	4064675070351	
Qty.	50 ST	
Type	BEP 2T 2.5 BL	Version
Order No.	<a href="#">2791170000</a>	B-series, End plate
GTIN (EAN)	4064675070368	
Qty.	50 ST	
Type	BCC 2.5/2	Version
Order No.	<a href="#">2791180000</a>	Cross-connector (terminal), Plugged, orange, 24 A, Number of poles: 2, Pitch in mm (P): 5.00, Insulated: Yes, Width: 8.5 mm
GTIN (EAN)	4064675070375	
Qty.	100 ST	
Type	BCC 2.5/3	Version
Order No.	<a href="#">2791190000</a>	Cross-connector (terminal), Plugged, orange, 24 A, Number of poles: 3, Pitch in mm (P): 5.00, Insulated: Yes, Width: 13.5 mm
GTIN (EAN)	4064675070382	
Qty.	50 ST	
Type	BCC 2.5/4	Version
Order No.	<a href="#">2791200000</a>	Cross-connector (terminal), Plugged, orange, 24 A, Number of poles: 4, Pitch in mm (P): 5.00, Insulated: Yes, Width: 18.5 mm
GTIN (EAN)	4064675070399	
Qty.	50 ST	
Type	BCC 2.5/10	Version
Order No.	<a href="#">2791210000</a>	Cross-connector (terminal), Plugged, orange, 24 A, Number of poles: 10, Pitch in mm (P): 5.00, Insulated: Yes, Width: 48.5 mm
GTIN (EAN)	4064675070405	
Qty.	10 ST	
Type	SAKEW 35	Version
Order No.	<a href="#">1129450000</a>	End and partition plate for terminals, grey, Height: 50 mm, Width: 8.5 mm, V-0, PA 66/6
GTIN (EAN)	4032248970612	
Qty.	50 ST	

## B2T 2.5 VL

Weidmüller Interface GmbH &amp; Co. KG

Klingenbergstraße 26

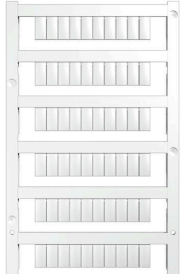
D-32758 Detmold

Germany

## Accessories

www.weidmueller.com

## Blank



MultiFit is the Weidmüller marker system used for other makes of terminals. Similar to the Weidmüller Dekafix, the markers of the MultiFit family are available ready-for-use with standard printing.

We recommend to carry out a test with sample markers on the terminals used when using MultiFit for the first time.

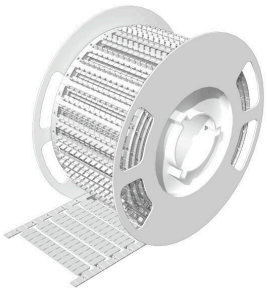
- One marker, suitable for different makes of terminals.
- Ready-to-use markers with standard printing
- Blank markers for printing with the PrintJet CONNECT or Plotter
- Delivery of individually printed markers according to customer CAE data or specifications
- One marking system for all applications

For custom printing: Please send us a file of our labeling software M-Print PRO or M-Print PRO Online (without installation) for your labeling specifications.

## General ordering data

Type	MF 10/5 MC NE WS	Version	
Order No.	<a href="#">1677160000</a>	MultiFit, Terminal marker, 10 x 5 mm, Pitch in mm (P): 5.00 Phoenix,	
GTIN (EAN)	4008190475505	Wieland, Legrand, Telemecanique, Entrellec, white	
Qty.	600 ST		

## BLM



## General ordering data

Type	BLM 10/5 BTB	Version	
Order No.	<a href="#">2857780000</a>	Terminal marker, 10 x 5 mm, Pitch in mm (P): 5.00 white	
GTIN (EAN)	4064675539339		
Qty.	2184 ST		