

## PRO DC BUFFER 24V 40A

**Weidmüller Interface GmbH & Co. KG**  
 Klingenbergstraße 26  
 D-32758 Detmold  
 Germany

[www.weidmueller.com](http://www.weidmueller.com)



Weidmüller's maintenance-free maxSHIELD DC buffer modules guarantee an uninterruptible power supply and are therefore an important basis for 24 V systems. They supply the required voltage to the electronic load to bridge outages. The maintenance-free electrolytic capacitors enable continuous operation at ambient temperatures of up to +70°C. Optionally, a parallel connection is possible to bridge longer failures or to increase the output power.

### General ordering data

Version	Buffer module, 24 V
Order No.	<a href="#">2786250000</a>
Type	PRO DC BUFFER 24V 40A
GTIN (EAN)	4064675063490
Qty.	1 items

**PRO DC BUFFER 24V 40A**

**Weidmüller Interface GmbH & Co. KG**  
 Klingenbergstraße 26  
 D-32758 Detmold  
 Germany

www.weidmueller.com

**Technical data**

**Approvals**

Approvals



ROHS	Conform
UL File Number Search	<a href="#">UL Website</a>
Certificate no. (cULus)	E258476

**Dimensions and weights**

Depth	130 mm	Depth (inches)	5.1181 inch
Height	125 mm	Height (inches)	4.9212 inch
Width	65 mm	Width (inches)	2.5591 inch
Net weight	1142 g		

**Temperatures**

Storage temperature	-40 °C...85 °C	Operating temperature	-25 °C...70 °C
Humidity	5...95 %, no condensation		

**Environmental Product Compliance**

RoHS Compliance Status	Compliant with exemption
RoHS Exemption (if applicable/known)	7a, 7cI
REACH SVHC	Lead 7439-92-1
SCIP	Offa7f6e-dcfd-414c-a39f-eb67653cea98

**Input**

Connection system	Screw connection	Rated input voltage	24 V DC
Input fuse (internal)	Yes	DC current consumption	<0.2 A @ no load, <1 A @ charging process for typ. 10s
DC input voltage range	22.5 - 30 V DC	Input current	0...41 A

**Output**

Connection system	Screw connection	
Parallel connection option	Yes	
Overload protection	Yes	
Surge protection	33 V...35 V	
Output voltage, note	Corresponds to the input voltage	
Output current at 40 °C	25 A	
Mains failure bridge-over time	Mains failure bridge-over time, min.	200 ms
	Input voltage type	DC
	Input voltage	24 V
	Output current	40 A
	Output voltage	22.2 V
Rated current	40 A	
Output voltage	22.2 ± 0.4 V DC / Vin-1 V(± 0.4 V)	
Protection against inverse voltage	Yes	
Overload and short circuit protection	Yes	

## PRO DC BUFFER 24V 40A

**Weidmüller Interface GmbH & Co. KG**

Klingenbergstraße 26  
D-32758 Detmold  
Germany

www.weidmueller.com

## Technical data

### General data

Degree of efficiency	≥ 98% buffer mode	Weight	1142 g
Humidity	5...95 %, no condensation	Protection degree	IP20
Mounting position, installation notice	Horizontal on DIN rail TS 35, top and bottom 50 mm clearance for free air flow, 10 mm clearance to neighbouring subassemblies.	Housing version	Metal, corrosion resistant
Conformal coating	Yes	Storage medium	Internal condenser
Short-circuit protection	Yes, internal		

### EMC / shock / vibration

Shock resistance IEC 60068-2-27	30 g in all directions	Noise emission in accordance with EN55032	Class B
Interference immunity test acc. to	EN 61000-4-2, -3, -4, -5, -6	Vibration resistance IEC 60068-2-6	2.3 g (on DIN rail)

### Insulation coordination

Pollution severity	2	Protection class	III, with no ground connection, for SELV
Insulation voltage input / earth	0.5 kV	Insulation voltage output / earth	0.5 kV

### Electrical safety (applied standards)

Electrical machine equipment	Acc. to EN60204	Safety extra-low voltage	SELV acc. to IEC 60950-1, PELV according to EN 60204-1
------------------------------	-----------------	--------------------------	--

### Connection data (input)

Connection system	Screw connection	Number of terminals	4 (++-)
Reverse polarity protection	Yes, ≤31 V DC	Conductor cross-section, AWG/kcmil , max.	8 AWG
Conductor cross-section, AWG/kcmil , min.	22 AWG	Wire connection cross section, flexible (input), max.	16 mm <sup>2</sup>
Conductor cross-section, flexible , min.	0.5 mm <sup>2</sup>	Conductor cross-section, rigid , max.	16 mm <sup>2</sup>
Conductor cross-section, rigid , min.	0.5 mm <sup>2</sup>	Tightening torque, min.	0.5 Nm
Tightening torque, max.	0.6 Nm		

### Connection data (output)

Connection system	Screw connection	Number of terminals	4 (++ / -)
Reverse polarity protection	Yes, ≤31 V DC	Conductor cross-section, AWG/kcmil , max.	8 AWG
Conductor cross-section, AWG/kcmil , min.	22 AWG	Conductor cross-section, flexible , max.	16 mm <sup>2</sup>
Conductor cross-section, flexible , min.	0.5 mm <sup>2</sup>	Conductor cross-section, rigid , max.	16 mm <sup>2</sup>
Conductor cross-section, rigid , min.	0.5 mm <sup>2</sup>	Tightening torque, min.	0.5 Nm
Tightening torque, max.	0.6 Nm		

### Connection data (signal)

Wire connection cross-section, flexible (signal), max.	1.5 mm <sup>2</sup>	Wire connection method	PUSH IN
Wire cross-section, AWG/kcmil , max.	14	Wire cross-section, solid , min.	0.2 mm <sup>2</sup>

## PRO DC BUFFER 24V 40A

**Weidmüller Interface GmbH & Co. KG**  
Klingenbergstraße 26  
D-32758 Detmold  
Germany

[www.weidmueller.com](http://www.weidmueller.com)

## Technical data

Wire cross-section, solid , max.	1.5 mm <sup>2</sup>	Wire connection cross-section, flexible (signal), min.	0.2 mm <sup>2</sup>
Number of terminals	4 (Uin OK, Ready, Active, Sgnd)	Wire cross-section, AWG/kcmil , min.	28 mm <sup>2</sup>

### Signalling

Status indicator                      Green LED

### Classifications

ETIM 8.0	EC002850	ETIM 9.0	EC002850
ETIM 10.0	EC002850	ECLASS 14.0	27-04-06-92
ECLASS 15.0	27-04-06-92		

**PRO DC BUFFER 24V 40A**

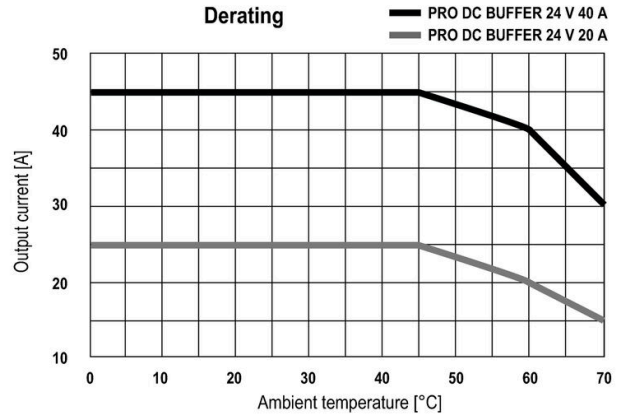
**Weidmüller Interface GmbH & Co. KG**  
 Klingenbergstraße 26  
 D-32758 Detmold  
 Germany

www.weidmueller.com

**Drawings**

**Graph**

**Derating curve**



Buffer Time

Temperature Derating

**Block diagram**

**Block diagram**



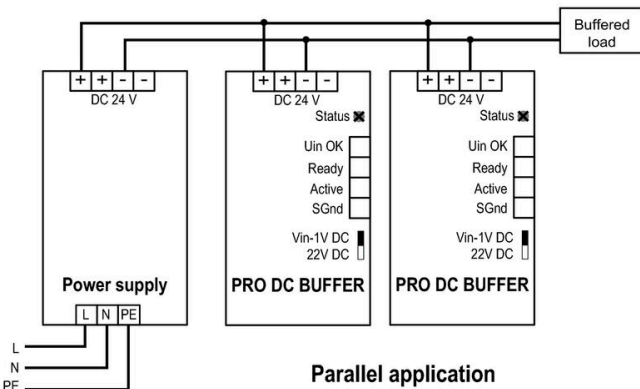
Block Diagram



Single application

Single Operation

**Block diagram**



Parallel application

Parallel Operation