

CABTITE EP 24/14 GY

Weidmüller Interface GmbH & Co. KG

Klingenbergstraße 26

D-32758 Detmold

Germany

www.weidmueller.com



Cabtite - Cable Entry Plates

Insert cables and wires without plugs into control cabinets, enclosures or machines in the smallest of spaces, easily and in a space-saving manner.

With the Cabtite cable entry plates, you can do this even in harsh environments, whether protective hoses, pneumatic/hydraulic hoses or fiber optic cables - you can install your cables quickly, easily and in a space-saving manner. The installation is done through only one rectangular wall cut-out and is therefore up to 40% faster in the installation time (compared to standard cable glands).

The IP66 screw version of cable entry plates are tested according to DIN EN 60529 and made of UL94 V-0 certified TPE material with hard plastic core, suitable for the temperature range from -40°C to +90°C.

Cabtite cable entry plates are an economical alternative to conventional cable glands.

General ordering data

Version	Cable entry plate, Cabtite (cable entry system), TPE, grey, Height: 58 mm, Width: 149.6 mm, Depth: 29.2 mm, -40 °C...90 °C, IP66
Order No.	2779320000
Type	CABTITE EP 24/14 GY
GTIN (EAN)	4064675048794
Qty.	10 items

CABTITE EP 24/14 GY

Weidmüller Interface GmbH & Co. KG
 Klingenbergstraße 26
 D-32758 Detmold
 Germany

www.weidmueller.com

Technical data

Approvals

Approvals



ROHS	Conform
UL File Number Search	UL Website
Certificate No. (cURus)	E223801

Dimensions and weights

Depth	29.2 mm	Depth (inches)	1.1496 inch
Height	58 mm	Height (inches)	2.2835 inch
Width	149.6 mm	Width (inches)	5.8898 inch
Net weight	106.9 g		

Temperatures

Operating temperature	-40 °C...90 °C
-----------------------	----------------

Environmental Product Compliance

RoHS Compliance Status	Compliant without exemption
REACH SVHC	No SVHC above 0.1 wt%

General information

Tightening torque	3.5 Nm	Silicone	No
UL 94 flammability rating	V-0	Protection degree	IP66
Basic material	TPE	Protection class (UL)	Type 1, Type 12, Type 4X

Number of connectable cables

Type of mounting	4 screws		
Number of connectable cables	14		
Cable entries	Number	5	
	Cable diameter, min.	3.2 mm	
	Cable diameter, max.	6.3 mm	
	Cable type	Round cable	
	Number	2	
	Cable diameter, min.	4 mm	
	Cable diameter, max.	7.5 mm	
	Cable type	Round cable	
	Number	3	
	Cable diameter, min.	5.5 mm	
	Cable diameter, max.	10.5 mm	
	Cable type	Round cable	
	Number	1	
	Cable diameter, min.	8 mm	
	Cable diameter, max.	12.5 mm	
	Cable type	Round cable	
	Number	3	
	Cable diameter, min.	12 mm	
	Cable diameter, max.	16.2 mm	
	Cable type	Round cable	

CABTITE EP 24/14 GY

Weidmüller Interface GmbH & Co. KG
Klingenbergstraße 26
D-32758 Detmold
Germany

www.weidmueller.com

Technical data

Classifications

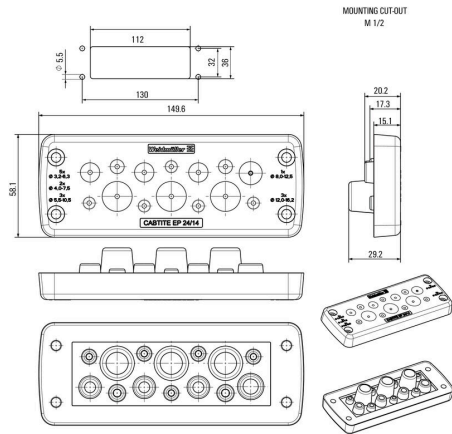
ETIM 8.0	EC002624	ETIM 9.0	EC002624
ETIM 10.0	EC002624	ECLASS 14.0	27-18-28-15
ECLASS 15.0	27-18-28-15		

CABTITE EP 24/14 GY

Weidmüller Interface GmbH & Co. KG
Klingenbergstraße 26
D-32758 Detmold
Germany

Drawings

www.weidmueller.com



CABTITE EP 24/14 GY

Weidmüller Interface GmbH & Co. KG
 Klingenbergstraße 26
 D-32758 Detmold
 Germany

www.weidmueller.com

Accessories

Fixing material



The Cabtite cable entry system offers maximum flexibility in the cable management of control cabinets, enclosures and machines, while at the same time saving time, as well as providing secure sealing and strain relief for pre-terminated and non-terminated cables.

Cabtite's modular design of frame, grid inlays and sealing elements enables rapid configuration of cut-outs for pre-terminated cables - without the use of tools and with a reliable sealing of IP66 according to DIN EN 60529. Frame. Inlay. Sealing element. Three basic components in the modular system guarantee highest flexibility, variability and diversity of variants.

General ordering data

Type	CABTITE SC M5X25 SET	Version	
Order No.	2635120000	Mounting screw, Cabtite (cable entry system), Stainless steel, rust-	
GTIN (EAN)	4050118662160	proof, silver, Height: 30 mm, Width: 8.5 mm, Depth: 8.5 mm	
Qty.	1 ST		

Rectangular splitting stamp for heavy-duty connectors



Weidmüller punching tools should be your first choice for making cut-outs in your electrical cabinets!

- PG cable glands
- M cable glands
- Special cable glands

Not suitable for stainless steel!

General ordering data

Type	KOK-112X36	Version	
Order No.	9204870000	Sheet holes	
GTIN (EAN)	4032248693801		
Qty.	1 ST		