

IE-C5DB4BB0250MSAXXX-X

Weidmüller Interface GmbH & Co. KG
Klingenbergstraße 26
D-32758 Detmold
Germany

www.weidmueller.com



Assembled IE cables, railway cable, Cat.5, blue, M12

General ordering data

Version	System cable, M12 D-code – IP 67 angled socket, Open, Cat. 5e, Polyolefine, 25 m
Order No.	2776730250
Type	IE-C5DB4BB0250MSAXXX-X
GTIN (EAN)	4064675302056
Qty.	1 items

IE-C5DB4BB0250MSAXXX-X

Weidmüller Interface GmbH & Co. KG

Klingenbergstraße 26

D-32758 Detmold

Germany

www.weidmueller.com

Technical data

Dimensions and weights

Length	25 m	Length (inches)	984.252 inch
Net weight	175 g		

Temperatures

Storage temperature	Operating temperature	-40 °C...85 °C
---------------------	-----------------------	----------------

Environmental Product Compliance

RoHS Compliance Status	Compliant with exemption
RoHS Exemption (if applicable/known)	6c
REACH SVHC	Lead 7439-92-1
SCIP	67cf1078-beca-4687-860b-dc475a6ec24a

Cable specific standards

Flames propagate vertically on bundled cables	EN 60332-3-25, According to UL1685, 12 (FT4 exp.)	Hydrogen halide content	According to EN-50267-2-1
Corrosiveness of fumes	EN 50267-2-2	Fire safety for railway vehicles	According to EN 45545, HL1 - HL3, NFPA 130
Impervious to smoke	According to IEC 61034-2	Poisonous gases	EN 50305

Electrical properties

Nominal voltage	125 V
-----------------	-------

General standards

Connector standard	IEC 61076-2-101
--------------------	-----------------

Cable structure

Wire connection cross section AWG, max.	AWG 22	Sheathing colour	blue
Cross-section	4*AWG 22/7 - 0.32 mm ²	Shielding	SF/UTP
Number of wires	4	Insulation	PE
Sheath diameter, max.	6.8 mm	Sheath diameter, min.	6.4 mm
Material sheath	Polyolefine	Wire pair shielding	Plastic foil
Wire core insulation thickness	1.4 mm	Colour coding	yellow, white, orange, blue
Wire material	tinned copper	Sheathing material thickness	1 mm

Electrical properties of cable

Category	Cat. 5e	Coupling attenuation up to 1000 MHz	90 dB
Coupling resistance at 10 MHz / m	8.00 mΩ	Shield attenuation up to 1000 MHz	60.00 dB
Test voltage: wire-wire-shield	1000 Veff, 50 Hz, 1 min		

Mechanical and material properties of cable

Resistance to oils	in accordance with IEC 60811:404	Halogen	No
Min. bending radius, repetitive	6 * diameter	Min. bending radius, once only	15 x cable diameter
Resistance to spread of flame	in accordance with IEC 60332-1-2	Corrosiveness of fumes	EN 50267-2-2
Impervious to smoke	According to IEC 61034-2		

IE-C5DB4BB0250MSAXXX-X

Weidmüller Interface GmbH & Co. KG
Klingenbergstraße 26
D-32758 Detmold
Germany

www.weidmueller.com

Technical data**Plug, left**

Plug left	M12, D-coded, Number of poles: 4, IP67, female contact, angled 0°, plug, Plastic, shielded
-----------	--

Plug, right

Plug right	free conductor end
------------	--------------------

Classifications

ETIM 8.0	EC002599	ETIM 9.0	EC002599
ETIM 10.0	EC002599	ECLASS 14.0	27-06-03-08
ECLASS 15.0	27-06-03-08		

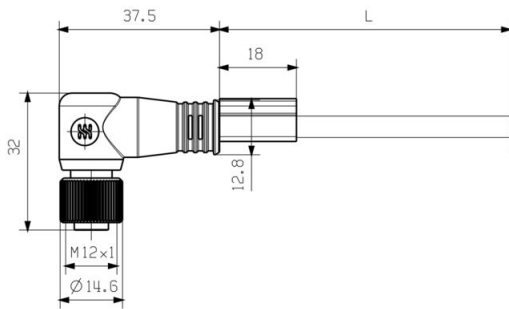
IE-C5DB4BB0250MSAXXX-X

Weidmüller Interface GmbH & Co. KG
Klingenbergstraße 26
D-32758 Detmold
Germany

www.weidmueller.com

Drawings

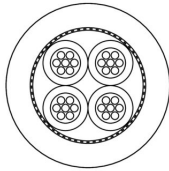
Dimensioned drawing



Wiring diagram

	M12
yellow	1
white	2
orange	3
blue	4

Detailed drawing



IE-C5DB4BB0250MSAXXX-X

Weidmüller Interface GmbH & Co. KG
 Klingenbergstraße 26
 D-32758 Detmold
 Germany

www.weidmueller.com

Accessories

Screwty® cable gland tool



The ideal tool for any application
 Screwty® is the ideal, all-purpose tool for tightening all common sensor and actuator cables. Even difficult-to-reach round plugs are accessible using the Screwty®. A simple turning movement tightens and loosens the connectors without the need for excessive force. The Screwty® is a unique and global solution since it fits with most cables and plugs from other vendors (over 90 %). The Screwty® consists of a handle with a conventional 1/4" adapter. Thus it can be used for all sizes: for M12 and M8 round plug-in connectors, and for M12F and M8F customisable plugs and sockets, as well as for all M23 plugs and sockets.

General ordering data

Type	SCREWTY SET	Version	
Order No.	1910000000		Cable gland tool for M8, M12 lines and connectors
GTIN (EAN)	4032248436842		
Qty.	1 ST		

Screwty® cable gland tool with torque function



The ideal tool for any application
 Screwty® is the ideal, all-purpose tool for tightening all common sensor and actuator cables. Even difficult-to-reach round plugs are accessible using the Screwty®. A simple turning movement tightens and loosens the connectors without the need for excessive force. The Screwty® is a unique and global solution since it fits with most cables and plugs from other vendors (over 90 %). The Screwty® consists of a handle with a conventional 1/4" adapter. Thus it can be used for all sizes: for M12 and M8 round plug-in connectors, and for M12F and M8F customisable plugs and sockets, as well as for all M23 plugs and sockets.

General ordering data

Type	SCREWTY SET -DM	Version	
Order No.	1920000000		Cable gland tool for M8, M12 lines and connectors
GTIN (EAN)	4032248436859		
Qty.	1 ST		

IE-C5DB4BB0250MSAXXX-X

Weidmüller Interface GmbH & Co. KG
 Klingenbergstraße 26
 D-32758 Detmold
 Germany

www.weidmueller.com

Accessories

Screwty® cable gland tool



The ideal tool for any application
 Screwty® is the ideal, all-purpose tool for tightening all common sensor and actuator cables. Even difficult-to-reach round plugs are accessible using the Screwty®. A simple turning movement tightens and loosens the connectors without the need for excessive force. The Screwty® is a unique and global solution since it fits with most cables and plugs from other vendors (over 90 %). The Screwty® consists of a handle with a conventional 1/4" adapter. Thus it can be used for all sizes: for M12 and M8 round plug-in connectors, and for M12F and M8F customisable plugs and sockets, as well as for all M23 plugs and sockets.

General ordering data

Type	SCREWTY- M12	Version	
Order No.	1900000000		Cable gland tool for moulded M12 lines
GTIN (EAN)	4032248375868		
Qty.	1 ST		

Screwty® cable gland tool with torque function



The ideal tool for any application
 Screwty® is the ideal, all-purpose tool for tightening all common sensor and actuator cables. Even difficult-to-reach round plugs are accessible using the Screwty®. A simple turning movement tightens and loosens the connectors without the need for excessive force. The Screwty® is a unique and global solution since it fits with most cables and plugs from other vendors (over 90 %). The Screwty® consists of a handle with a conventional 1/4" adapter. Thus it can be used for all sizes: for M12 and M8 round plug-in connectors, and for M12F and M8F customisable plugs and sockets, as well as for all M23 plugs and sockets.

General ordering data

Type	SCREWTY-M12-DM	Version	
Order No.	1900001000		Cable gland tool for moulded M12 lines
GTIN (EAN)	4032248436408		
Qty.	1 ST		