

VPU AC I 4 R 275/25 LCF MB

Weidmüller Interface GmbH & Co. KG
 Klingenbergstraße 26
 D-32758 Detmold
 Germany

www.weidmueller.com



Type I/II lightning arrester for use upstream of the electrical meter

- With 25 kA (10/350 μ s) suitable for protective zones I, II, III and IV (LPL I/II/III/IV)
- With remote monitoring function, one changeover contact
- Tested according to IEC 61643-11 for type I and II surge protection

General ordering data

Version	Surge voltage arrester, Low voltage, Surge protection, Leakage-current-free, with remote contact, TN-C-S, TN-S
Order No.	2774990000
Type	VPU AC I 4 R 275/25 LCF MB
GTIN (EAN)	4064675039730
Qty.	1 items

VPU AC I 4 R 275/25 LCF MB

Weidmüller Interface GmbH & Co. KG
 Klingenbergstraße 26
 D-32758 Detmold
 Germany

www.weidmueller.com

Technical data

Approvals

Approvals



ROHS Conform

Dimensions and weights

Depth	71 mm	Depth (inches)	2.7953 inch
Height	99 mm	Height (inches)	3.8976 inch
Width	144 mm	Width (inches)	5.6693 inch
Net weight	1076 g		

Temperatures

Storage temperature	-40 °C...85 °C	Operating temperature	-40 °C...85 °C
Humidity	5 - 95% rel. humidity		

Environmental Product Compliance

RoHS Compliance Status	Compliant without exemption
REACH SVHC	No SVHC above 0.1 wt%

Connection data, remote alert

Cross-section for connected wire, solid core, min.	0.14 mm ²	Stripping length	8 mm
Connection type	Screw connection: pluggable	Cross-section for connected wire, solid core, max.	1.5 mm ²
Max. torque	0.25 Nm		

General data

Optical function display	green = OK; red = arrester is defective - replace	Segment	Power distribution
Version	Surge protection, Leakage-current-free, with remote contact	Design	Installation housing; 8 TE, Insta IP 20
UL 94 flammability rating	V-0	Colour	grey
Protection degree	IP20 in installed state	Mounting rail	TS 35
Operating altitude	≤ 2000 m		

Insulation coordination acc. to EN 50178

Surge voltage category	II	Pollution severity	2
------------------------	----	--------------------	---

Rated data IEC / EN

Number of poles	4	Leakage current at Un	1 µA
Signalling contact	250 V 1A 1CO	Rated voltage (AC)	230 V
Low voltage network	TN-C-S, TN-S	Voltage type	AC
Temporary surge voltage (over-voltage) - TOV	438 V	Response time / fallback time	≤ 25 ns
Frequency range, max.	60 Hz	Frequency range, min.	50 Hz
Standards	IEC 61643-11, EN 61643-11	Lightning test current limp (10/350 µs) (L-PE)	25 kA

VPU AC I 4 R 275/25 LCF MB

Weidmüller Interface GmbH & Co. KG

Klingenbergstraße 26

D-32758 Detmold

Germany

www.weidmueller.com

Technical data

Requirements class, acc. to EN 61643-11	T1, T2	Requirements category acc. to IEC 61643-11	Type I, Type II
Max. continuous voltage, U_c (AC)	275 V	Mains voltage	230 V / 400 V
Energy coordination (≤ 10 m)	Type I, Type II, Type III	Rated load current IL	100 A
Discharge current I_n (8/20 μ s) wire-PE	25 kA	Discharge current I_{max} (8/20 μ s) wire-PE	100 kA
SPD type	T1, T2	Protection level U_p at IN (L/N-PE)	≤ 1.5 kV
Short-circuit current rating ISCCR	50 kA	Follow-on current extinguishing capability I_{fi}	Not available due for technical reasons
Integrated back-up fuse	No	PE conductor current IPE	1 μ A

Connection data

Stripping length	18 mm	Wire connection method	Screw connection
Type of connection	Screw connection	Stripping length, rated connection	18 mm
Tightening torque, min.	3 Nm	Tightening torque, max.	4.5 Nm
Clamping range, rated connection	16 mm ²	Clamping range, min.	1.5 mm ²
Clamping range, max.	35 mm ²	Wire cross-section, solid, min.	1.5 mm ²
Wire cross-section, solid, max.	35 mm ²	Wire connection cross section, finely stranded, min.	1.5 mm ²
Wire connection cross section, finely stranded, max.	25 mm ²	Conductor cross-section, flexible, AEH (DIN 46228-1), min.	1.5 mm ²
Conductor cross-section, flexible, AEH (DIN 46228-1), max.	35 mm ²	Connection cross-section, stranded, min.	1.5 mm ²
Connection cross-section, stranded, max.	35 mm ²		

Electrical data

Voltage type	AC
--------------	----

General data

Number of poles	4	Protection degree	IP20 in installed state
Colour	grey		

Guarantee

Time interval	5 years
---------------	---------

Classifications

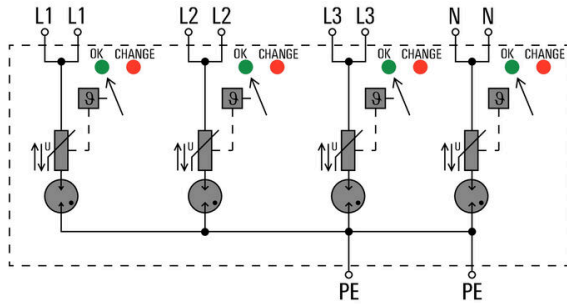
ETIM 8.0	EC001457	ETIM 9.0	EC001457
ETIM 10.0	EC001457	ECLASS 14.0	27-17-12-04
ECLASS 15.0	27-17-12-04		

VPU AC I 4 R 275/25 LCF MB

Weidmüller Interface GmbH & Co. KG
Klingenbergstraße 26
D-32758 Detmold
Germany

Drawings

www.weidmueller.com



Principle circuit diagram

VPU AC I 4 R 275/25 LCF MB

Weidmüller Interface GmbH & Co. KG
Klingenbergstraße 26
D-32758 Detmold
Germany

www.weidmueller.com

Accessories

Crosshead screwdriver Phillips

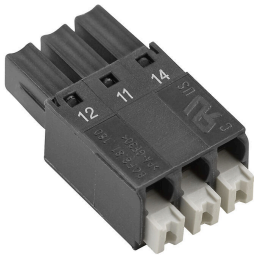


VDE insulated crosshead screwdriver, for Phillips screws, SDIK PH DIN 7438, ISO 8764/2-PH, output to ISO 8764-PH, SoftFinish grip

General ordering data

Type	SDIK PH1 X 80	Version	
Order No.	2749890000	Screwdriver, Blade width (B): 1 mm, 80 mm, Blade thickness (A): 1	
GTIN (EAN)	4050118897098		
Qty.	1 ST		

VPU Series



Extensive accessories round off the product range

General ordering data

Type	PLUG VPU AC	Version	
Order No.	2855300000		
GTIN (EAN)	4064675533283		
Qty.	10 ST		