

## TRPL 24VDC 1CO AU TRAK

**Weidmüller Interface GmbH & Co. KG**

Klingenbergstraße 26

D-32758 Detmold

Germany

[www.weidmueller.com](http://www.weidmueller.com)



The ultra-compact TERMSERIES-compact TRAK complete modules comply with the strict standards of the railway industry. Their relays are permanently installed, which makes them particularly vibration-proof. They operate reliably in a temperature range of -40 to +70 °C and are protected against condensation. Typical railway voltage fluctuations and interruptions are tolerated without functional failure. Thanks to their slim, flat design, they can be installed anywhere. And since their contours are identical to those of the tried-and-tested TERMSERIES, all accessories of the series can be used. This means that extremely robust solutions can be realised - even outside the railway industry.

- Developed according to the strict railway standards EN 50155, EN 61373 and EN 45545-2
- Resistant to voltage and temperature fluctuations
- Insensitive to shocks and vibrations
- Extremely compact with a width of only 6.4 mm and a depth of 63 mm
- Integrated status LED for easy function testing
- Compatible with the complete range of TERMSERIES accessories
- Version 1 changeover contact

### General ordering data

Version	TERMSERIES-compact, Relay module, Number of contacts: 1, CO contact Au (Gold), AgSnO <sub>2</sub> , Rated control voltage: 24 V DC +25 % / -30 %, Continuous current: 6 A, PUSH IN, Test button available: No
Order No.	<a href="#">2773900000</a>
Type	TRPL 24VDC 1CO AU TRAK
GTIN (EAN)	4064675037675
Qty.	10 items

**TRPL 24VDC 1CO AU TRAK**

**Weidmüller Interface GmbH & Co. KG**  
 Klingenbergstraße 26  
 D-32758 Detmold  
 Germany

www.weidmueller.com

**Technical data**

**Approvals**

Approvals



**Dimensions and weights**

Depth	62.5 mm	Depth (inches)	2.4606 inch
Height	89.4 mm	Height (inches)	3.5197 inch
Width	6.4 mm	Width (inches)	0.252 inch
Net weight	25 g		

**Temperatures**

Storage temperature	-40 °C...85 °C	Ambient temperature	-40 °C...70 °C
Operating temperature		Humidity	95 % for 30 days, minimal condensation to EN 50155

**Environmental Product Compliance**

RoHS Compliance Status	Compliant with exemption
RoHS Exemption (if applicable/known)	7a, 7cl
REACH SVHC	Lead 7439-92-1
SCIP	75e5f661-708e-44b0-9fc2-4f6c675b3b71

**Control side**

Rated control voltage	24 V DC +25 % / -30 %	Rated current DC	16 mA
Power rating	384 mW	Coil resistance	3390 Ω ± 10 %
Status indicator	Green LED	Protective circuit	Free-wheeling diode, Suppressor diode

**Load side**

Rated switching voltage	250 V AC	Continuous current	6 A
Max. switching frequency at rated load	0.1 Hz	Max. switching voltage, AC	250 V
Max. switching voltage, DC	250 V	Inrush current	20 A / 20 ms
AC switching capacity (resistive), max.	1500 VA	DC switching capacity (resistive), max.	144 W @ 24 V
Switch-on delay	5.6 ms	Switch-off delay	21.4 ms
Contact type	1 CO contact (Au (Gold), AgSnO2)	Mechanical service life	10 x 106 switching cycles
Min. switching power	1 mA @ 1 V		

**General data**

Operating altitude	≤ 2000 m, above sea level		
Version	for railway applications		
Mounting rail	TS 35		
Test button available	No		
Mechanical switch position indicator	No		
Colour	black		
UL 94 flammability rating	V-0		
UL94 flammability rating component	Component	Housing	
	UL94 flammability rating	V-0	

**TRPL 24VDC 1CO AU TRAK**

**Weidmüller Interface GmbH & Co. KG**  
 Klingenbergstraße 26  
 D-32758 Detmold  
 Germany

www.weidmueller.com

**Technical data**

Component	Relay status indicator
UL94 flammability rating	V-0
Component	Pusher
UL94 flammability rating	V-0

**Insulation coordination**

Rated voltage	300 V	Pollution severity	2
Surge voltage category	III	Clearance and creepage distances for control side - load side	≥ 6 mm
Dielectric strength for control side - load side	4 kVeff / 1 Min.	Type of isolation at input and output	reinforced insulation
Dielectric strength of open contact	1 kVeff / 1 min	Dielectric strength to mounting rail	4 kVeff / 1 Min.
Impulse withstand voltage	6 kV (1.2/50 µs)	Protection degree	IP20

**Connection data**

Wire connection method	PUSH IN	Stripping length, rated connection	9 mm
Clamping range, rated connection	1.5 mm <sup>2</sup>	Clamping range, min.	0.14 mm <sup>2</sup>
Clamping range, max.	2.5 mm <sup>2</sup>	Wire connection cross section AWG, min.	AWG 26
Wire connection cross section AWG, max.	AWG 14	Wire cross-section, solid, min.	0.5 mm <sup>2</sup>
Wire cross-section, solid, max.	1.5 mm <sup>2</sup>	Wire cross-section, solid, min. (AWG)	AWG 26
Wire cross-section, solid, max. (AWG)	AWG 14	Wire connection cross section, finely stranded, min.	0.35 mm <sup>2</sup>
Wire connection cross section, finely stranded, max.	2.5 mm <sup>2</sup>	Wire cross-section, finely stranded, min. (AWG)	AWG 26
Wire cross-section, finely stranded, max. (AWG)	AWG 14	Wire connection cross-section, finely stranded with wire-end ferrules DIN 46228/4, min.	0.14 mm <sup>2</sup>
Wire connection cross-section, finely stranded with wire-end ferrules DIN 46228/4, max.	1.5 mm <sup>2</sup>	Conductor cross-section, flexible, AEH (DIN 46228-1), min.	0.5 mm <sup>2</sup>
Conductor cross-section, flexible, AEH (DIN 46228-1), max.	1.5 mm <sup>2</sup>	Blade size	0.6 x 3.5 mm

**Classifications**

ETIM 8.0	EC001437	ETIM 9.0	EC001437
ETIM 10.0	EC001437	ECLASS 14.0	27-37-16-01
ECLASS 15.0	27-37-16-01		

TRPL 24VDC 1CO AU TRAK

Weidmüller Interface GmbH & Co. KG  
 Klingenbergstraße 26  
 D-32758 Detmold  
 Germany

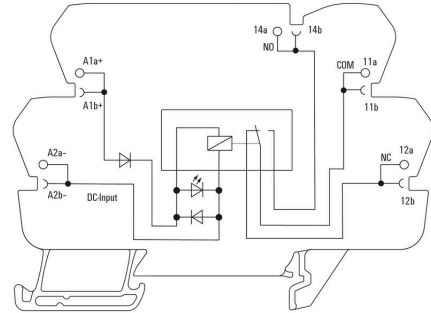
www.weidmueller.com

Drawings

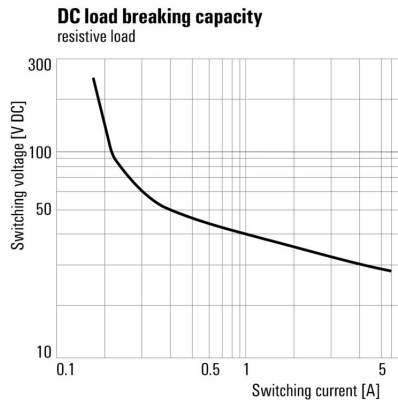
Similar to illustration



Wiring diagram

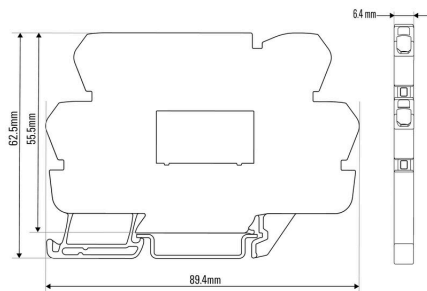


Graph



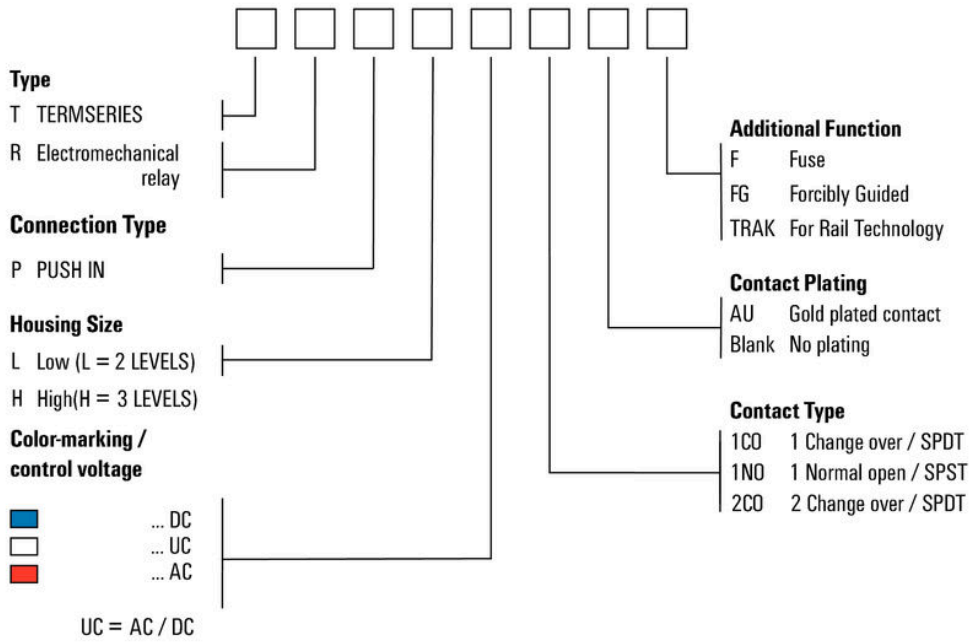
DC load limit curve Resistive load

Dimensional drawing



Miscellaneous

**Type code electromechanical relay**



Type codes