

SAISWS-P-5L-8/13-M12**Weidmüller Interface GmbH & Co. KG**

Klingenbergstraße 26

D-32758 Detmold

Germany

www.weidmueller.com



Your peripheral devices should be supplied with greater power. With our new M12 plug-in connector, more than 250 V and 2 A is possible without problems. The compact A-, K-, L-, S- and T-coded M12 plug-in connectors are designed for the transmission of up to 630 V AC or 60 V DC and 12 A.

General ordering data

Version	Field attachable connector, M12
Order No.	2768330000
Type	SAISWS-P-5L-8/13-M12
GTIN (EAN)	4064675042877
Qty.	1 items

SAISWS-P-5L-8/13-M12

Weidmüller Interface GmbH & Co. KG
Klingenbergstraße 26
D-32758 Detmold
Germany

www.weidmueller.com

Technical data

Approvals

Approvals



ROHS Conform

UL File Number Search [UL Website](#)

Certificate No. (cURus) E307231

Dimensions and weights

Net weight 46.06 g

Environmental Product Compliance

RoHS Compliance Status Compliant

REACH SVHC No SVHC above 0.1 wt%

Technical data customisable plug-in connectors

Number of poles	5	Coding	L-coded
Contact surface	Au (Gold)	Type of connection	Screw connection
Housing main material	PA	Cable diameter, max.	13 mm
Cable diameter, min.	8 mm	Contact material	CuZn
Nominal voltage	63 V	Nominal current	16 A
Protection degree	IP67	Plugging cycles	≥ 100
Pollution severity	3	Gender of contact	Male
Threaded ring material	Diecast zinc	Temperature range of housing	-40 ... +85 ° C
Connection cross-section, max.	2.5 mm ²		

General Info

Number of poles	5	Connection 1	M12
Connection 2	Screw	Housing main material	PA
Connection thread	M12	Contact material	CuZn
Contact surface	Au (Gold)	Wire connection cross section, finely stranded, max.	2.5 mm ²
Wire connection cross-section, finely stranded with wire-end ferrules DIN 46228/1, max.	1.5 mm ²	Protection degree	IP67
Plugging cycles	≥ 100		

Standards

Connector standard IEC 61076-2-101

Classifications

ETIM 8.0	EC002635	ETIM 9.0	EC002635
ETIM 10.0	EC002635	ECLASS 14.0	27-44-01-16
ECLASS 15.0	27-44-01-16		

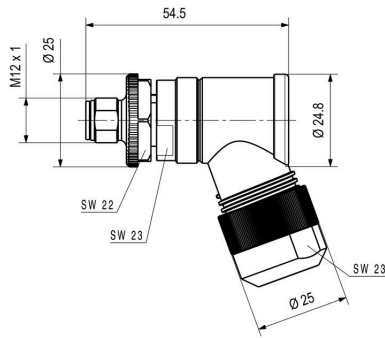
SAISWS-P-5L-8/13-M12

Weidmüller Interface GmbH & Co. KG
Klingenbergstraße 26
D-32758 Detmold
Germany

www.weidmueller.com

Drawings

Dimensioned drawing



Pole scheme



