

## DRR273524L

**Weidmüller Interface GmbH & Co. KG**  
 Klingenbergstraße 26  
 D-32758 Detmold  
 Germany

[www.weidmueller.com](http://www.weidmueller.com)

### Product image



Similar to illustration

Individual relays within the D-SERIES DRR

- 2 CO contacts
- Optional AC or DC coils
- With integrated status LED

### General ordering data

|                 |   |
|-----------------|---|
| Version         | D-SERIES DRR, Relay, Number of contacts: 2, CO contact AgSnO, Rated control voltage: 24 V AC, Continuous current: 10 A, Plug-in connection, Test button available: No |
| Order No.       | <a href="#">2765310000</a>  |
| Type            | DRR273524L  |
| GTIN (EAN)      | 4064675076889   |
| Qty.            | 10 items  |
| Delivery status | This article will no longer be available in the future.   |
| Last order date | 2026-11-30T00:00:00+01:00   |

DRR273524L

Weidmüller Interface GmbH & Co. KG  
Klingenbergstraße 26  
D-32758 Detmold  
Germany

www.weidmueller.com

## Technical data

### Approvals

Approvals



ROHS Conform  
UL File Number Search [UL Website](#)  
Certificate No. (cURus) E312083

### Dimensions and weights

|            |         |                 |             |
|------------|---------|-----------------|-------------|
| Depth      | 66 mm   | Depth (inches)  | 2.5984 inch |
| Height     | 34.5 mm | Height (inches) | 1.3583 inch |
| Width      | 34.5 mm | Width (inches)  | 1.3583 inch |
| Net weight | 82.4 g  |                 |             |

### Temperatures

|                       |                |                     |   |
|-----------------------|----------------|---------------------|---|
| Storage temperature   | -25 °C...55 °C | Ambient temperature | -25 °C...55 °C                          |
| Operating temperature |                | Humidity            | 5...85 % rel. humidity, no condensation |

### Environmental Product Compliance

RoHS Compliance Status Compliant without exemption  
REACH SVHC No SVHC above 0.1 wt%

### Rated data UL

Certificate No. (cURus) E312083

### Control side

|                       |         |                  |                                |
|-----------------------|---------|------------------|--------------------------------|
| Rated control voltage | 24 V AC | Rated current AC | 130 mA (50 Hz), 116 mA (60 Hz) |
| Power rating          | 2.7 VA  | Coil resistance  | 62.5 Ω ± 10 %                  |
| Status indicator      | red LED |                  |                                |

### Load side

|   |                                       |   |                      |
|---|---------------------------------------|---|----------------------|
| Rated switching voltage                 | 250 V AC                              | Continuous current                      | 10 A                 |
| Max. switching frequency at rated load  | 0.1 Hz                                | Max. switching voltage, AC              | 250 V                |
| Inrush current                          | 50 A / 50 ms                          | AC switching capacity (resistive), max. | 2500 VA              |
| DC switching capacity (resistive), max. | 240 W @ 24 V                          | Switch-on delay                         | <30 ms               |
| Switch-off delay                        | <20 ms                                | Contact type                            | 2 CO contact (AgSnO) |
| Mechanical service life                 | 10 x 10 <sup>6</sup> switching cycles | Min. switching power                    | 10 mA @ 12 V         |

### General data

|                                      |                          |                        |  |
|--------------------------------------|--------------------------|------------------------|--|
| Test button available                | No                       |                        |  |
| Mechanical switch position indicator | Yes                      |                        |  |
| Colour                               | Transparent              |                        |  |
| UL94 flammability rating component   | Component                | Relay status indicator |  |
|                                      | UL94 flammability rating | Relay baseplate        |  |
|                                      | Component                | Relay cover            |  |
|                                      | UL94 flammability rating |                        |  |
|                                      | Component                |                        |  |

**Technical data**

| UL94 flammability rating V-2

**Insulation coordination**

|   |                    |  |                    |
|---|--------------------|--|--------------------|
| Rated voltage   | 250 V              | Pollution severity                               | 3                  |
| Surge voltage category  | III                | Insulating material group                        | IIIa               |
| Clearance and creepage distances for control side - load side | ≥ 4 mm             | Dielectric strength for control side - load side | 2.5 kVeff / 1 Min. |
| Dielectric strength of neighbouring contacts                  | 2.5 kVeff / 1 Min. | Dielectric strength of open contact              | 1.2 kVeff / 1 min. |
| Impulse withstand voltage                                     | 4 kV (1.2/50 µs)   | Protection degree                                | IP20               |

**Further details of approvals / standards**

|                         |         |
|-------------------------|---------|
| Certificate No. (cURus) | E312083 |
|-------------------------|---------|

**Connection data**

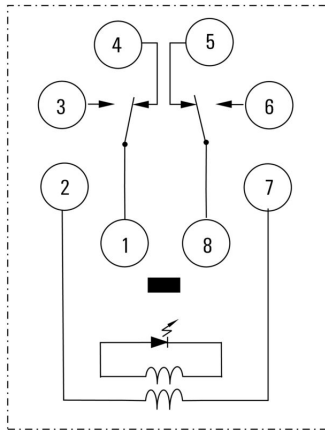
|                        |                    |
|------------------------|--------------------|
| Wire connection method | Plug-in connection |
|------------------------|--------------------|

**Classifications**

|             |             |             |             |
|-------------|-------------|-------------|-------------|
| ETIM 8.0    | EC001437    | ETIM 9.0    | EC001437    |
| ETIM 10.0   | EC001437    | ECLASS 14.0 | 27-37-16-01 |
| ECLASS 15.0 | 27-37-16-01 |             |             |

Drawings

Wiring diagram



View of Pins from below

Graph



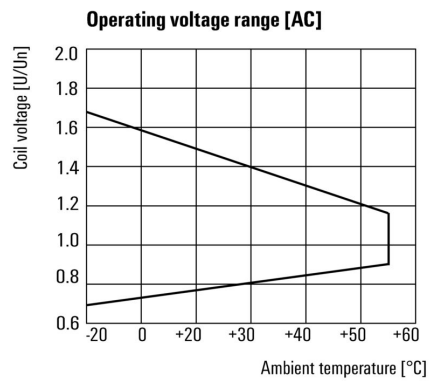
DC load limit curve Resistive load

Graph



Electrical service life

Graph

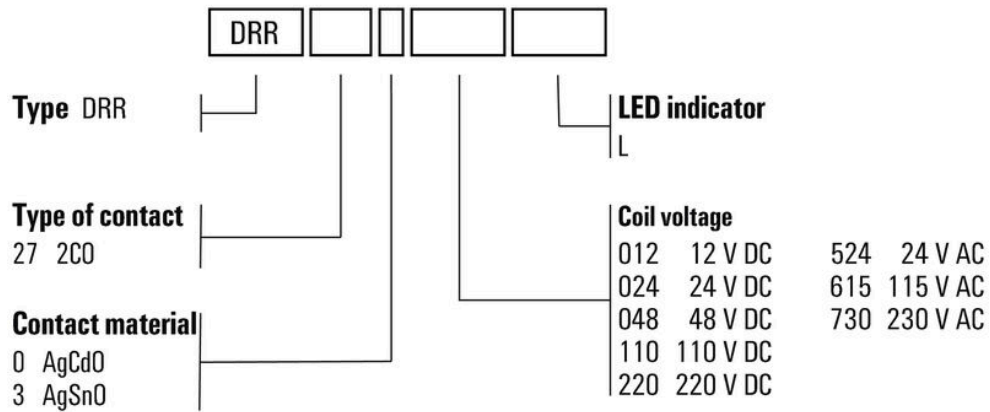


AC operational voltage range

Dimensional drawing



**Miscellaneous**



Type codes