

## DRL573110L

Weidmüller Interface GmbH &amp; Co. KG

Klingenbergstraße 26

D-32758 Detmold

Germany

www.weidmueller.com

## Product image



Similar to illustration



Individual relays within the D-SERIES DRL

- 4 CO contacts
- Optional AC or DC coils
- With integrated status LED

## General ordering data

Version	D-SERIES DRL, Relay, Number of contacts: 4, CO contact AgSnO, Rated control voltage: 110 V DC, Continuous current: 10 A, Flat blade connections (4.8 mm x 0.5 mm), Test button available: No
Order No.	<a href="#">2765290000</a>
Type	DRL573110L
GTIN (EAN)	4064675076902
Qty.	10 items

## DRL573110L

Weidmüller Interface GmbH &amp; Co. KG

Klingenbergstraße 26

D-32758 Detmold

Germany

www.weidmueller.com

## Technical data

## Approvals

Approvals



ROHS Conform

UL File Number Search [UL Website](#)

Certificate No. (cURus) E312083

## Dimensions and weights

Depth	36 mm	Depth (inches)	1.4173 inch
Height	28 mm	Height (inches)	1.1024 inch
Width	41.5 mm	Width (inches)	1.6339 inch
Net weight	65.4 g		

## Temperatures

Storage temperature	-25 °C...55 °C	Ambient temperature	-25 °C...55 °C
Operating temperature		Humidity	35 % to 85 % relative humidity level

## Environmental Product Compliance

RoHS Compliance Status	Compliant without exemption
REACH SVHC	No SVHC above 0.1 wt%

## Rated data UL

Certificate No. (cURus)	E312083
-------------------------	---------

## Control side

Rated control voltage	110 V DC	Rated current DC	16.2 mA
Power rating	1.5 W	Coil resistance	6800 Ω ± 10 %
Status indicator	Green LED		

## Load side

Rated switching voltage	250 V AC	Continuous current	10 A
Max. switching frequency at rated load	0.1 Hz	Max. switching voltage, AC	250 V
Inrush current	50 A / 50 ms	AC switching capacity (resistive), max.	2500 VA
DC switching capacity (resistive), max.	300 W @ 24 V	Switch-on delay	<20 ms
Switch-off delay	<20 ms	Contact type	4 CO contact (AgSnO)
Mechanical service life	10 x 10 <sup>6</sup> switching cycles	Min. switching power	10 mA @ 12 V

## General data

Test button available	No	
Mechanical switch position indicator	Yes	
Colour	Transparent	
UL94 flammability rating component	Component	Relay cover
	UL94 flammability rating	V-2
	Component	Relay baseplate
	UL94 flammability rating	V-0
	Component	Relay status indicator
	UL94 flammability rating	HB

## DRL573110L

**Weidmüller Interface GmbH & Co. KG**

Klingenbergstraße 26  
D-32758 Detmold  
Germany

[www.weidmueller.com](http://www.weidmueller.com)

## Technical data

### Insulation coordination

Rated voltage	250 V	Pollution severity	3
Surge voltage category	III	Insulating material group	IIIa
Clearance and creepage distances for control side - load side	≥ 4 mm	Dielectric strength for control side - load side	2.5 kVeff / 1 min
Dielectric strength of neighbouring contacts	2 kVeff / 1 min	Dielectric strength of open contact	1.2 kVeff / 1 min.
Impulse withstand voltage	5 kV (1.2/50 µs)	Protection degree	IP20

### Further details of approvals / standards

Certificate No. (cURus)	E312083
-------------------------	---------

### Connection data

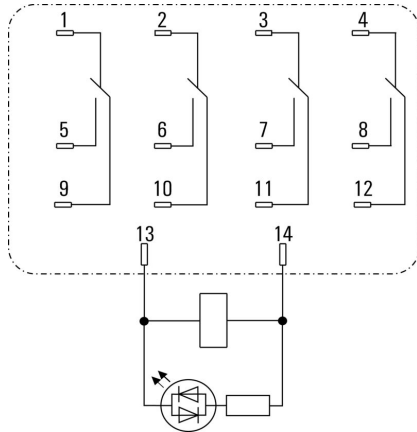
Wire connection method	Flat blade connections (4.8 mm x 0.5 mm)
------------------------	---

### Classifications

ETIM 8.0	EC001437	ETIM 9.0	EC001437
ETIM 10.0	EC001437	ECLASS 14.0	27-37-16-01
ECLASS 15.0	27-37-16-01		

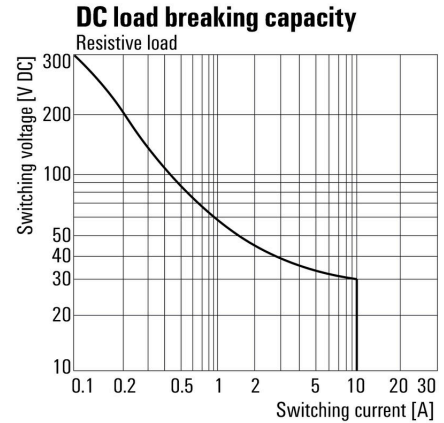
**Drawings**

**Wiring diagram**



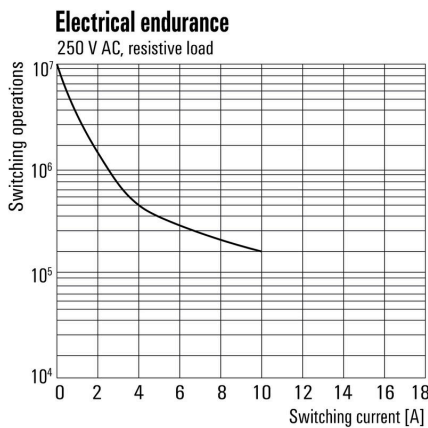
View of Pins from below

**DC load limit curve**



DC load limit curve Resistive load

**Graph**



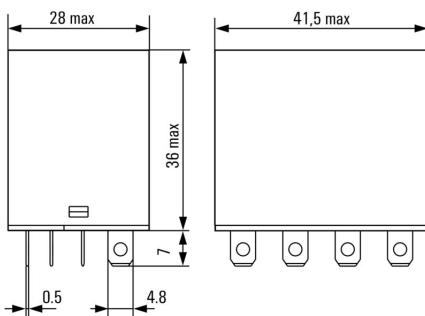
Electrical service life

**Graph**



DC operational voltage range

**Dimensional drawing**



**Miscellaneous**



Type codes