

**USB-MIC2.0B S1V 1N1 RL BK**

**Weidmüller Interface GmbH & Co. KG**  
 Klingenbergstraße 26  
 D-32758 Detmold  
 Germany

www.weidmueller.com



**General ordering data**

Version	OMNIMATE Data - USB jack, PCB plug-in connector, USB 2.0, Type B, 480 Mbps, SMD solder connection, 180°, Plugging cycles: ≥ 10000, Number of poles: 5, LCP, Gold over nickel, Tape
Order No.	<a href="#">2762070000</a>
Type	USB-MIC2.0B S1V 1N1 RL BK
GTIN (EAN)	4064675035299
Qty.	2000 items
Packaging	Tape

## USB-MIC2.0B S1V 1N1 RL BK

Weidmüller Interface GmbH &amp; Co. KG

Klingenbergstraße 26

D-32758 Detmold

Germany

www.weidmueller.com

## Technical data

## Approvals

ROHS	Conform
------	---------

## Dimensions and weights

Depth	2.9 mm	Depth (inches)	0.1142 inch
Height	10.51 mm	Height (inches)	0.4138 inch
Width	7.99 mm	Width (inches)	0.3146 inch
Net weight	0.3 g		

## Environmental Product Compliance

RoHS Compliance Status	Compliant without exemption
REACH SVHC	No SVHC above 0.1 wt%

## System specifications

Number of poles	5	LED	No
Solder pin length (l)	0 mm	Mounting onto the PCB	SMD solder connection
Pitch in inches (P)	0.026 "	Shielding material	Stainless steel
Shielding	Yes	Side termination, characteristic	Solder flange
Plugging force/pole, max.	35 N	Transmission rate	480 Mbps
Type of connection	Solder connection	Product family	OMNIMATE Data - USB jack
Pitch in mm (P)	0.65 mm	Protection degree	IP20
Plugging cycles	≥ 10000	Outgoing elbow	180°
Shield surface	nickel-plated	Performance-Category	480 Mbps
Soldering process	Reflow soldering, Manual soldering	Pulling force / pole, min.	10.00 N
Solder pin dimensions	Octagonal	Tolerance of solder pin position	± 0.1 mm

## Electrical properties

Dielectric strength, contact / contact	100 V AC	Volume resistance	<25 mΩ
Insulation resistance	≥ 100 MΩ	Nominal voltage	48 V
Rated current	1 A		

## Material data

Insulating material	LCP	Colour	black
Colour chart (similar)	RAL 9011	Insulation resistance	≥ 100 MΩ
Moisture Level (MSL)	1	UL 94 flammability rating	V-0
Contact base material	Copper alloy	Contact material	Cu-alloy
Contact surface	Gold over nickel	Layer structure of plug contact	≤ 1 μ" Au
Storage temperature, min.	-40 °C	Storage temperature, max.	70 °C
Operating temperature, min.	-30 °C	Operating temperature, max.	80 °C

## Packing

Packaging	Tape	VPE length	382.00 mm
VPE width	370.00 mm	VPE height	149.00 mm

## Important note

Notes

## USB-MIC2.0B S1V 1N1 RL BK

**Weidmüller Interface GmbH & Co. KG**  
Klingenbergstraße 26  
D-32758 Detmold  
Germany

[www.weidmueller.com](http://www.weidmueller.com)

## Technical data

### Classifications

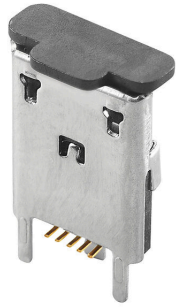
ETIM 8.0	EC002637	ETIM 9.0	EC002637
ETIM 10.0	EC002637	ECLASS 14.0	27-46-02-01
ECLASS 15.0	27-46-02-01		

**USB-MIC2.0B S1V 1N1 RL BK**

**Weidmüller Interface GmbH & Co. KG**  
Klingenbergstraße 26  
D-32758 Detmold  
Germany

**Drawings**

[www.weidmueller.com](http://www.weidmueller.com)

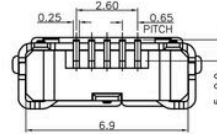
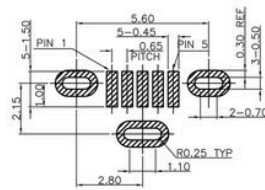
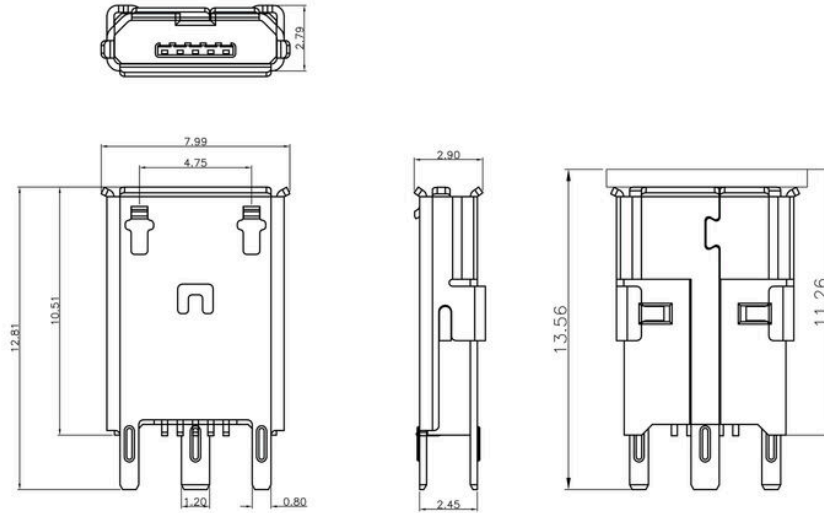


USB-MIC2.0B S1V 1N1 RL BK

Weidmüller Interface GmbH & Co. KG  
Klingenbergstraße 26  
D-32758 Detmold  
Germany

Drawings

www.weidmueller.com



RECOMMEND PCB LAYOUT (THICKNESS=1.6mm)  
TOLERANCE: ±0.05