

USB-MIC2.0B S1V 1N1 RL BK

Weidmüller Interface GmbH & Co. KG
Klingenbergstraße 26
D-32758 Detmold
Germany

www.weidmueller.com

**General ordering data**

Version	OMNIMATE Data - USB jack, PCB plug-in connector, USB 2.0, Type B, 480 Mbps, SMD solder connection, 180°, Plugging cycles: ≥ 10000 , Number of poles: 5, LCP, Gold over nickel, Tape
Order No.	2762070000
Type	USB-MIC2.0B S1V 1N1 RL BK
GTIN (EAN)	4064675035299
Qty.	2000 items
Packaging	Tape

USB-MIC2.0B S1V 1N1 RL BK
Weidmüller Interface GmbH & Co. KG

 Klingenbergstraße 26
 D-32758 Detmold
 Germany

www.weidmueller.com
Technical data
Approvals

ROHS Conform

Dimensions and weights

Depth	2.9 mm	Depth (inches)	0.1142 inch
Height	10.51 mm	Height (inches)	0.4138 inch
Width	7.99 mm	Width (inches)	0.3146 inch
Net weight	0.3 g		

Environmental Product Compliance

 RoHS Compliance Status Compliant without exemption
 REACH SVHC No SVHC above 0.1 wt%

System specifications

Number of poles	5	LED	No
Solder pin length (l)	0 mm	Mounting onto the PCB	SMD solder connection
Pitch in inches (P)	0.026 "	Shielding material	Stainless steel
Shielding	Yes	Side termination, characteristic	Solder flange
Plugging force/pole, max.	35 N	Transmission rate	480 Mbps
Type of connection	Solder connection	Product family	OMNIMATE Data - USB jack
Pitch in mm (P)	0.65 mm	Protection degree	IP20
Plugging cycles	≥ 10000	Outgoing elbow	180°
Shield surface	nickel-plated	Performance-Category	480 Mbps
Soldering process	Reflow soldering, Manual soldering	Pulling force / pole, min.	10.00 N
Solder pin dimensions	Octagonal	Tolerance of solder pin position	± 0.1 mm

Electrical properties

Dielectric strength, contact / contact	100 V AC	Volume resistance	<25 mΩ
Insulation resistance	≥ 100 MΩ	Nominal voltage	48 V
Rated current	1 A		

Material data

Insulating material	LCP	Colour	black
Colour chart (similar)	RAL 9011	Insulation resistance	≥ 100 MΩ
Moisture Level (MSL)	1	UL 94 flammability rating	V-0
Contact base material	Copper alloy	Contact material	Cu-alloy
Contact surface	Gold over nickel	Layer structure of plug contact	≤ 1 μ" Au
Storage temperature, min.	-40 °C	Storage temperature, max.	70 °C
Operating temperature, min.	-30 °C	Operating temperature, max.	80 °C

Packing

Packaging	Tape	VPE length	382.00 mm
VPE width	370.00 mm	VPE height	149.00 mm

Important note

Notes

USB-MIC2.0B S1V 1N1 RL BK

Weidmüller Interface GmbH & Co. KG
Klingenbergstraße 26
D-32758 Detmold
Germany

www.weidmueller.com

Technical data

Classifications

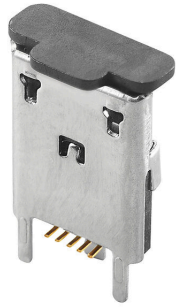
ETIM 8.0	EC002637	ETIM 9.0	EC002637
ETIM 10.0	EC002637	ECLASS 14.0	27-46-02-01
ECLASS 15.0	27-46-02-01		

USB-MIC2.0B S1V 1N1 RL BK

Weidmüller Interface GmbH & Co. KG
Klingenbergstraße 26
D-32758 Detmold
Germany

Drawings

www.weidmueller.com

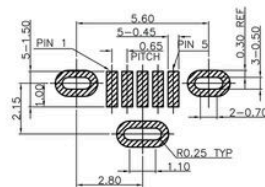
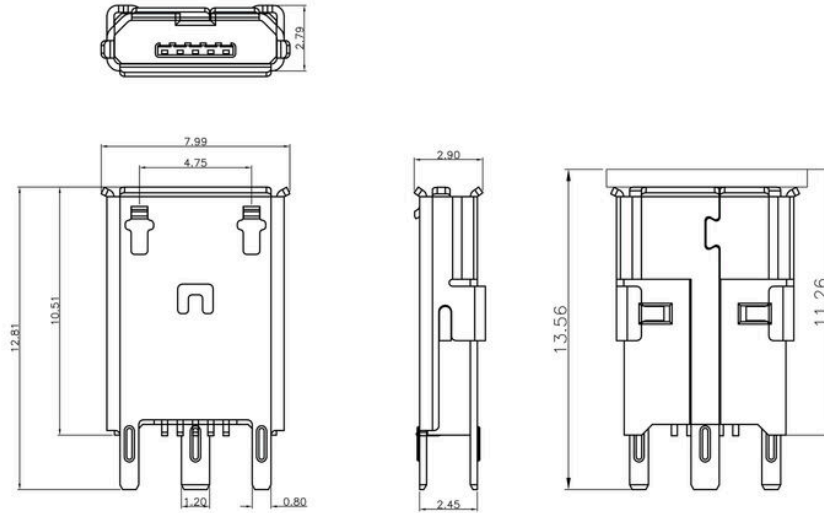


USB-MIC2.0B S1V 1N1 RL BK

Weidmüller Interface GmbH & Co. KG
Klingenbergstraße 26
D-32758 Detmold
Germany

Drawings

www.weidmueller.com



RECOMMEND PCB LAYOUT (THICKNESS=1.6mm)
TOLERANCE: ±0.05