

## FSR0315024 FG

**Weidmüller Interface GmbH & Co. KG**

Klingenbergstraße 26

D-32758 Detmold

Germany

[www.weidmueller.com](http://www.weidmueller.com)



The SAFESERIES Contact Extension uses relays with forcibly guided contacts in accordance with EN 61810-3 Type A. This makes it predestined for signal monitoring in applications for the protection of people and machinery. It ensures safe feedback to the control level. Consisting of 5 different pluggable relays with matching screw sockets in the contact version 2 NO + 2 NC, 3 NO + 1 NC, 4 NO + 2 NC, 3 NO + 3 NC and 5 NO + 1 NC. When the application is designed according to EN/ISO 13849-1, a performance level of PL "e" can be achieved. The basic component is also suitable for safety applications according to IEC/EN 62061 in order to achieve a safety integrity level of SIL3.

- Relay with forcibly guided contacts to EN 61810-3 type A
- cULus listed approval for high acceptance on the North American market
- CQC approval for conformity with Chinese quality standards
- Assembled and 100 % functionally tested KIT consisting of relay and socket with integrated status LED
- Diagnosis coverage of 99 %

### General ordering data

|            |   |
|------------|---|
| Version    | SAFESERIES, Relay with positively driven contacts 1 NC and 3 NO contacts forcibly guided (EN 61810-3 type A) AgSnO gold-plated, Rated control voltage: 24 V DC $\pm$ 10 %, Continuous current: 6 A, Plug-in connection, Test button available: No |
| Order No.  | <a href="#">2759030000</a>  |
| Type       | FSR0315024 FG   |
| GTIN (EAN) | 4064675266143   |
| Qty.       | 5 items   |

## FSR0315024 FG

Weidmüller Interface GmbH &amp; Co. KG

Klingenbergstraße 26

D-32758 Detmold

Germany

www.weidmueller.com

## Technical data

## Approvals

Approvals



ROHS Conform

UL File Number Search [UL Website](#)

Certificate No. (cURus) E224238

## Dimensions and weights

|            |       |                 |             |
|------------|-------|-----------------|-------------|
| Depth      | 24 mm | Depth (inches)  | 0.9449 inch |
| Height     | 40 mm | Height (inches) | 1.5748 inch |
| Width      | 13 mm | Width (inches)  | 0.5118 inch |
| Net weight | 20 g  |                 |             |

## Temperatures

|                       |                |                     |                           |
|-----------------------|----------------|---------------------|---------------------------|
| Storage temperature   | -40 °C...85 °C | Ambient temperature | -40 °C...85 °C            |
| Operating temperature |                | Humidity            | 5...85 %, no condensation |

## Environmental Product Compliance

|                        |                       |
|------------------------|-----------------------|
| RoHS Compliance Status | Compliant             |
| REACH SVHC             | No SVHC above 0.1 wt% |

## Rated data UL

|                         |         |
|-------------------------|---------|
| Certificate No. (cURus) | E224238 |
|-------------------------|---------|

## Control side

|                       |                    |                  |                          |
|-----------------------|--------------------|------------------|--------------------------|
| Rated control voltage | 24 V DC $\pm$ 10 % | Rated current DC | 15 mA                    |
| Power rating          | 360 mW             | Coil resistance  | 1600 $\Omega$ $\pm$ 10 % |
| Status indicator      | No                 |                  |                          |

## Load side

|   |   |   |                                       |
|---|---|---|---------------------------------------|
| Rated switching voltage                 | 250 V AC  | Continuous current                      | 6 A                                   |
| Max. switching frequency at rated load  | 0.1 Hz  | Max. switching voltage, AC              | 400 V                                 |
| Max. switching voltage, DC              | 250 V   | Inrush current                          | 30 A / 20 ms                          |
| AC switching capacity (resistive), max. | 1500 VA   | DC switching capacity (resistive), max. | 144 W @ 24 V                          |
| Switch-on delay                         | <20 ms  | Switch-off delay                        | <20 ms                                |
| Contact type                            | 1 NC and 3 NO contacts<br>forcibly guided (EN<br>61810-3 type A) (AgSnO<br>gold-plated) | Mechanical service life                 | 10 x 10 <sup>6</sup> switching cycles |
| Min. switching power                    | 2 mA @ 24 V, 4 mA @ 12<br>V, 10 mA @ 5 V  |   |                                       |

## General data

|                                    |                       |
|------------------------------------|-----------------------|
| Operating altitude                 | $\leq$ 2000 m         |
| Test button available              | No                    |
| Colour                             | Transparent           |
| UL94 flammability rating component | Component Relay cover |

**Technical data**

|                          |                 |
|--------------------------|-----------------|
| UL94 flammability rating | V-2             |
| Component                | Relay baseplate |
| UL94 flammability rating | V-0             |

**Insulation coordination**

|   |                       |  |                    |
|---|-----------------------|--|--------------------|
| Insulation coordination according to                          | IEC 61810-1           | Rated voltage                                    | 250 V              |
| Pollution severity  | 2                     | Surge voltage category                           | III                |
| Clearance and creepage distances for control side - load side | ≥ 8 mm                | Dielectric strength for control side - load side | 4 kVeff / 1 min    |
| Type of isolation at input and output                         | reinforced insulation | Dielectric strength of neighbouring contacts     | 2.5 kVeff / 1 min  |
| Type of isolation at neighbouring contacts                    | Basic insulation      | Dielectric strength of open contact              | 1.5 kVeff / 1 min. |
| Impulse withstand voltage at input and output                 | 10 kV (1.2/50 µs)     | Protection degree                                | IP50               |
| Impulse withstand voltage at neighbouring contacts            | 5 kV (1.2/50 µs)      |  |                    |

**Further details of approvals / standards**

|                       |          |                         |         |
|-----------------------|----------|-------------------------|---------|
| Certificate No. (VDE) | 40056378 | Certificate No. (cURus) | E224238 |
|-----------------------|----------|-------------------------|---------|

**Connection data**

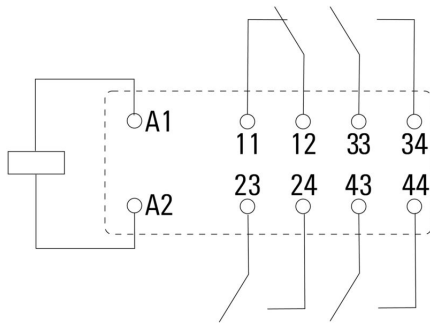
|                        |                    |
|------------------------|--------------------|
| Wire connection method | Plug-in connection |
|------------------------|--------------------|

**Classifications**

|             |             |             |             |
|-------------|-------------|-------------|-------------|
| ETIM 8.0    | EC001437    | ETIM 9.0    | EC001437    |
| ETIM 10.0   | EC001437    | ECLASS 14.0 | 27-37-16-01 |
| ECLASS 15.0 | 27-37-16-01 |             |             |

**Drawings**

**Wiring diagram**

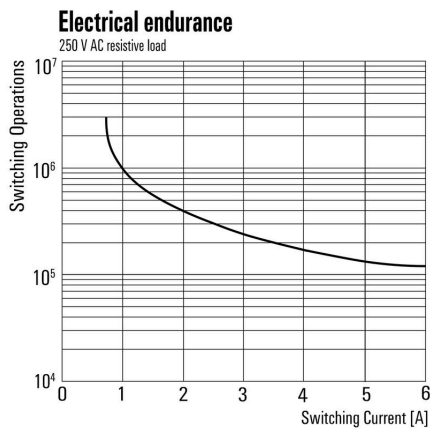


View of Pins from below

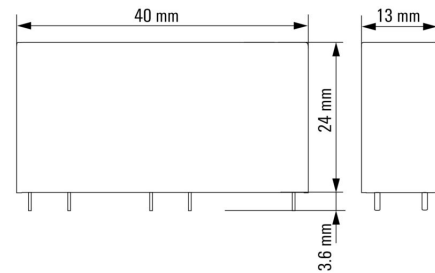
**Graph**



**Graph**



**Dimensional drawing**



**Drawings**

**Type codes**

