

CABTITE EP B 24/50 GY

Weidmüller Interface GmbH & Co. KG

Klingenbergstraße 26

D-32758 Detmold

Germany

www.weidmueller.com



Cabtite - Cable Entry Plates

Insert cables and wires without plugs into control cabinets, enclosures or machines in the smallest of spaces, easily and in a space-saving manner.

With the Cabtite cable entry plates, you can do this even in harsh environments, whether protective hoses, pneumatic/hydraulic hoses or fiber optic cables - you can install your cables quickly, easily and in a space-saving manner. The installation is done through only one rectangular wall cut-out and is therefore up to 40% faster in the installation time (compared to standard cable glands). The tool less IP54 snap version of cable entry plates are tested according to DIN EN 60529 and made of UL94 V-0 certified TPE material, suitable for the temperature range from -40°C to +90°C.

Cabtite cable entry plates are an economical alternative to conventional cable glands.

General ordering data

Version	Cable entry plate, Cabtite (cable entry system), TPE, grey, Height: 44 mm, Width: 142 mm, Depth: 12 mm, -40 °C...90 °C, IP54
Order No.	2743710000
Type	CABTITE EP B 24/50 GY
GTIN (EAN)	4064675123422
Qty.	10 items

CABTITE EP B 24/50 GY

Weidmüller Interface GmbH & Co. KG
 Klingenbergstraße 26
 D-32758 Detmold
 Germany

www.weidmueller.com

Technical data

Approvals

Approvals



ROHS	Conform
UL File Number Search	UL Website
Certificate No. (cURus)	E223801

Dimensions and weights

Depth	12 mm	Depth (inches)	0.4724 inch
Height	44 mm	Height (inches)	1.7323 inch
Width	142 mm	Width (inches)	5.5905 inch
Wall thickness, min.	2.5 mm	Wall thickness, max.	4 mm
Net weight	44.9 g		

Temperatures

Operating temperature	-40 °C...90 °C
-----------------------	----------------

Environmental Product Compliance

RoHS Compliance Status	Compliant without exemption
REACH SVHC	No SVHC above 0.1 wt%

General information

Silicone	No	UL 94 flammability rating	V-0
Protection degree	IP54	Basic material	TPE
Protection class (UL)	Type 1, Type 12		

Number of connectable cables

Type of mounting	Snap-on		
Number of connectable cables	50		
Cable entries	Number	33	
	Cable diameter, min.	1 mm	
	Cable diameter, max.	5.3 mm	
	Cable type	Round cable	
	Number	9	
	Cable diameter, min.	1 mm	
	Cable diameter, max.	6.4 mm	
	Cable type	Round cable	
	Number	8	
	Cable diameter, min.	1 mm	
	Cable diameter, max.	8.3 mm	
	Cable type	Round cable	

Classifications

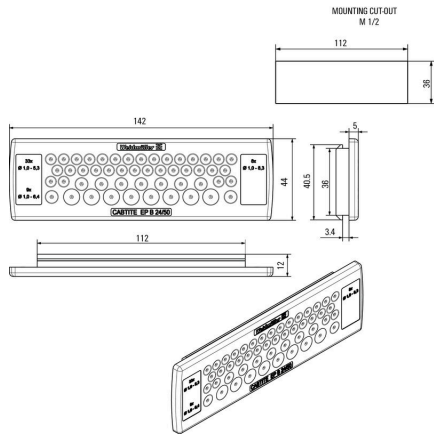
ETIM 8.0	EC002624	ETIM 9.0	EC002624
ETIM 10.0	EC002624	ECLASS 14.0	27-18-28-15
ECLASS 15.0	27-18-28-15		

CABTITE EP B 24/50 GY

Weidmüller Interface GmbH & Co. KG
Klingenbergstraße 26
D-32758 Detmold
Germany

Drawings

www.weidmueller.com



CABTITE EP B 24/50 GY

Weidmüller Interface GmbH & Co. KG
Klingenbergstraße 26
D-32758 Detmold
Germany

www.weidmueller.com

Accessories

Rectangular splitting stamp for heavy-duty connectors



Weidmüller punching tools should be your first choice for making cut-outs in your electrical cabinets!

- PG cable glands
- M cable glands
- Special cable glands

Not suitable for stainless steel!

General ordering data

Type	KOK-112X36	Version	
Order No.	9204870000	Sheet holes	
GTIN (EAN)	4032248693801		
Qty.	1 ST		