

## IE-FCM-RJ45-C-X-100

**Weidmüller Interface GmbH & Co. KG**  
Klingenbergstraße 26  
D-32758 Detmold  
Germany

[www.weidmueller.com](http://www.weidmueller.com)



Service interface FrontCom® Micro with RJ45 in IP65

### General ordering data

Version	FrontCom Micro RJ45 coupling
Order No.	<a href="#">2742310000</a>
Type	IE-FCM-RJ45-C-X-100
GTIN (EAN)	4050118844511
Qty.	100 items

## IE-FCM-RJ45-C-X-100

Weidmüller Interface GmbH &amp; Co. KG

Klingenbergstraße 26

D-32758 Detmold

Germany

www.weidmueller.com

## Technical data

## Approvals

ROHS Conform

## Dimensions and weights

Depth	42.9 mm	Depth (inches)	1.689 inch
Height	44 mm	Height (inches)	1.7323 inch
Width	29.5 mm	Width (inches)	1.1614 inch
Wall thickness, min.	1 mm	Wall thickness, max.	5 mm
Net weight	27.02 g		

## Temperatures

Storage temperature	Operating temperature	-40 °C...70 °C
Installation temperature		

## Environmental Product Compliance

RoHS Compliance Status	Compliant without exemption
REACH SVHC	No SVHC above 0.1 wt%

## General data

Tightening torque fixing nut	2.0 Nm	Connection 1	RJ45
Connection 2	RJ45	Description of article	FrontCom Micro RJ45 coupling
Colour	black	Housing main material	PA UL 94 V0
Category	Cat.6A / Class EA (ISO/IEC 11801 2010)	Contact surface	Gold over nickel
Type of mounting	Cabinet, Distribution box	Shielding	360°; shield contact
Protection degree	IP65, in closed state	Plugging cycles	750

## Electrical properties

Dielectric strength, contact / shield	≥ 1500 V AC/DC	Dielectric strength, contact / contact	≥ 1000 V AC/DC
PoE / PoE+	conforming to IEEE 802.3af		

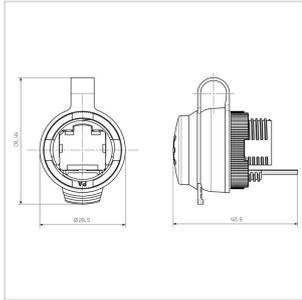
## General standards

Connector standard	IEC 60603-7-5 1
--------------------	-----------------

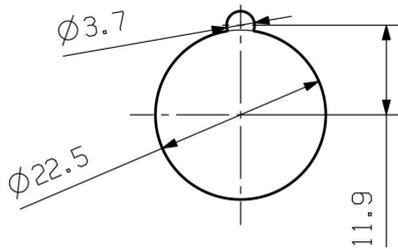
## Classifications

ETIM 8.0	EC001031	ETIM 9.0	EC001031
ETIM 10.0	EC001031	ECLASS 14.0	27-18-28-92
ECLASS 15.0	27-18-28-92		

**Dimensioned drawing**



**Installation cut-out**



## Accessories

### Complementary products



SM is a MultiCard marker for labelling control and signalling devices. The tags are clipped into the carriers or attached by means of the adhesive film already fitted to them. Customised tags can be created with the PrintJet CONNECT or Plotter marking systems.

- Users can quickly produce tags to suit their needs
- No need to stock expensive standard tags
- Highly resistant printing quality when using the PrintJet as a substitute for engraving
- For extreme demands, we recommend the ETO SM protective film
- Holders can be used for the 22-mm or 30-mm-diameter push-buttons from Siemens, ABB, Moeller and Télémécanique

For custom printing: Please send us a file of our labeling software M-Print PRO or M-Print PRO Online (without installation) for your labeling specifications.

### General ordering data

Type	SM-H 27/18 SW	Version	
Order No.	<a href="#">1716630000</a>	SwitchMark, Accessories, 48 x 27 mm, black	
GTIN (EAN)	4008190343194		
Qty.	25 ST		