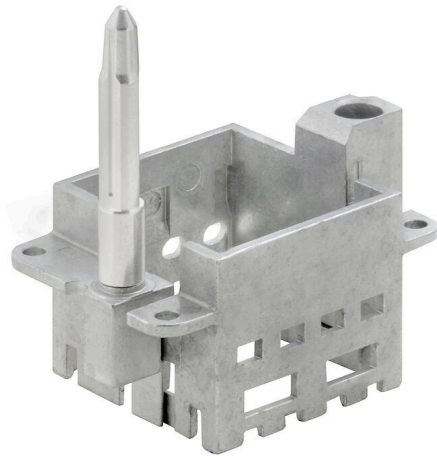


HDC MFGL 6B AB

Weidmüller Interface GmbH & Co. KG
Klingenbergstraße 26
D-32758 Detmold
Germany

www.weidmueller.com



General ordering data

Version	Frame
Order No.	2736970000
Type	HDC MFGL 6B AB
GTIN (EAN)	4050118823035
Qty.	1 items

HDC MFGL 6B AB

Weidmüller Interface GmbH & Co. KG
 Klingenbergstraße 26
 D-32758 Detmold
 Germany

www.weidmueller.com

Technical data

Approvals

ROHS Conform

Dimensions and weights

Depth	37.35 mm	Depth (inches)	1.4705 inch
Width	51 mm	Width (inches)	2.0079 inch
Net weight	56.32 g		

Environmental Product Compliance

RoHS Compliance Status	Compliant with exemption
RoHS Exemption (if applicable/known)	6c
REACH SVHC	Lead 7439-92-1
SCIP	425d5315-3039-4ee5-aab3-6b6a65cc297f

General data

Installation size	3	Plugging cycles	≥ 500
Basic material	Diecast zinc	Series	ModuPlug
Version of guiding pin	long	Number of slots	2

Important note

Product information The PE connection is no longer available for the version with guide pin.

Classifications

ETIM 8.0	EC002312	ETIM 9.0	EC002312
ETIM 10.0	EC002312	ECLASS 14.0	27-44-02-92
ECLASS 15.0	27-44-02-92		

HDC MFGL 6B AB

Weidmüller Interface GmbH & Co. KG
Klingenbergstraße 26
D-32758 Detmold
Germany

Drawings

www.weidmueller.com

