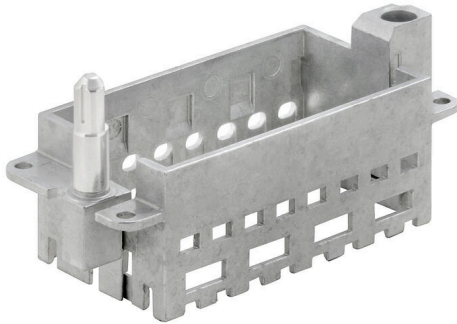


**HDC MFGS 16B DA**

**Weidmüller Interface GmbH & Co. KG**  
Klingenbergstraße 26  
D-32758 Detmold  
Germany

www.weidmueller.com



**General ordering data**

Version	Frame
Order No.	<a href="#">2736940000</a>
Type	HDC MFGS 16B DA
GTIN (EAN)	4050118823004
Qty.	1 items

**HDC MFGS 16B DA**

**Weidmüller Interface GmbH & Co. KG**  
 Klingenbergstraße 26  
 D-32758 Detmold  
 Germany

www.weidmueller.com

**Technical data**

**Approvals**

ROHS Conform

**Dimensions and weights**

Depth	37.35 mm	Depth (inches)	1.4705 inch
Width	84.5 mm	Width (inches)	3.3268 inch
Net weight	81 g		

**Temperatures**

Limit temperature -40 °C ... 125 °C

**Environmental Product Compliance**

RoHS Compliance Status	Compliant with exemption
RoHS Exemption (if applicable/known)	6c
REACH SVHC	Lead 7439-92-1
SCIP	d447edfa-0214-4f34-b5ba-82eae491b46a

**General data**

Installation size	6	Plugging cycles	≥ 500
Basic material	Diecast zinc	Series	ModuPlug
Version of guiding pin	short	Number of slots	4

**Important note**

Product information The PE connection is no longer available for the version with guide pin.

**Classifications**

ETIM 8.0	EC002312	ETIM 9.0	EC002312
ETIM 10.0	EC002312	ECLASS 14.0	27-44-02-92
ECLASS 15.0	27-44-02-92		

HDC MFGS 16B DA

Weidmüller Interface GmbH & Co. KG  
Klingenbergstraße 26  
D-32758 Detmold  
Germany

Drawings

[www.weidmueller.com](http://www.weidmueller.com)

