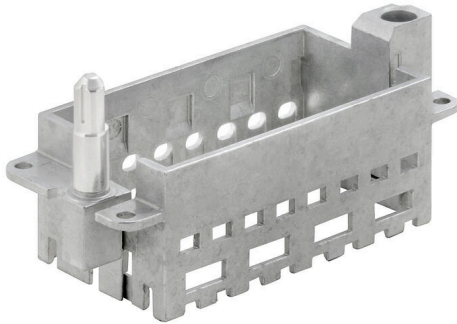


HDC MFGS 16B AD

Weidmüller Interface GmbH & Co. KG
Klingenbergstraße 26
D-32758 Detmold
Germany

www.weidmueller.com

**Simple**

The innovative sliding frame has two defined lock-in positions for opening and closing. This enables simple and tool-free module assembly.

General ordering data

Version	Frame
Order No.	2736930000
Type	HDC MFGS 16B AD
GTIN (EAN)	4050118822298
Qty.	1 items

HDC MFGS 16B AD

Weidmüller Interface GmbH & Co. KG
 Klingenbergstraße 26
 D-32758 Detmold
 Germany

www.weidmueller.com

Technical data

Approvals

ROHS	Conform
------	---------

Dimensions and weights

Depth	37.35 mm	Depth (inches)	1.4705 inch
Width	84.5 mm	Width (inches)	3.3268 inch
Net weight	71.28 g		

Temperatures

Limit temperature	-40 °C ... 125 °C
-------------------	-------------------

Environmental Product Compliance

RoHS Compliance Status	Compliant with exemption
RoHS Exemption (if applicable/known)	6c
REACH SVHC	Lead 7439-92-1
SCIP	d447edfa-0214-4f34-b5ba-82eae491b46a

General data

Installation size	6	Plugging cycles	≥ 500
Basic material	Diecast zinc	Series	ModuPlug
Version of guiding pin	short	Number of slots	4

PE connection data

Tightening torque, max. PE connection	1.3 Nm	Tightening torque, min. PE connection	1.2 Nm
---------------------------------------	--------	---------------------------------------	--------

Important note

Product information	The PE connection is no longer available for the version with guide pin.
---------------------	--

Classifications

ETIM 8.0	EC002312	ETIM 9.0	EC002312
ETIM 10.0	EC002312	ECLASS 14.0	27-44-02-92
ECLASS 15.0	27-44-02-92		

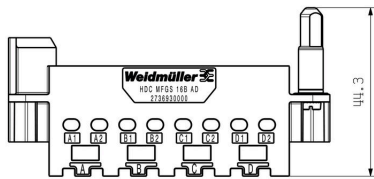
HDC MFGS 16B AD

Weidmüller Interface GmbH & Co. KG
Klingenbergstraße 26
D-32758 Detmold
Germany

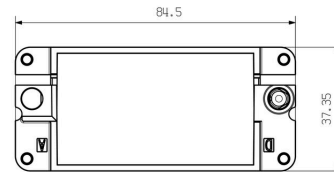
www.weidmueller.com

Drawings

Drawing



Drawing



mounting cutout

