

## VPU AC II US 0 240/50 Y

**Weidmüller Interface GmbH & Co. KG**  
 Klingenbergstraße 26  
 D-32758 Detmold  
 Germany

www.weidmueller.com



Abb.ähnlich

- compact SPD to install in application by NFPA 79
- no additional overcurrent protection devices needed
- short circuit current rating (SCCR) up to 200 kA
- tested according to IEC/EN 61643-11 and UL 1449 4.Ed

### General ordering data

Version	Spare arrester, Surge protection, Single-phase, TN
Order No.	<a href="#">2736500000</a>
Type	VPU AC II US 0 240/50 Y
GTIN (EAN)	4050118825497
Qty.	1 items
Delivery status	This article will no longer be available in the future.
Last order date	2026-06-01T00:00:00+02:00
Alternative product	<a href="#">VPU AC II US 0 240/50</a>

## VPU AC II US 0 240/50 Y

**Weidmüller Interface GmbH & Co. KG**  
 Klingenbergstraße 26  
 D-32758 Detmold  
 Germany

www.weidmueller.com

## Technical data

### Approvals

Approvals



ROHS Conform

### Dimensions and weights

Depth	64 mm	Depth (inches)	2.5197 inch
Height	45 mm	Height (inches)	1.7716 inch
Width	18 mm	Width (inches)	0.7087 inch
Net weight	65 g		

### Temperatures

Storage temperature	-40 °C...85 °C	Ambient temperature	-40 °C...85 °C
Operating temperature	-40 °C...85 °C	Humidity	5 - 95% rel. humidity

### Environmental Product Compliance

RoHS Compliance Status	Compliant without exemption
REACH SVHC	No SVHC above 0.1 wt%

### Rated data UL

Ambient temperature (operational), max.	85 °C	Rated Voltage UN	240 V
VPR (N-PE)	900 V	MCOV (L/N-PE)	300 V
SCCR	150 kA	In	20 kA
Category	SPD TYPE 1	Ambient temperature (operational), min.	-40 °C
VPR (L-PE)	900 V	Voltage type	AC

### Connection data, remote alert

Connection type	PUSH IN
-----------------	---------

### General data

Optical function display	green = ok, yellow = warning, red = arrester is defective - replace.	Segment	Power distribution
Version	Surge protection	UL 94 flammability rating	V-0
Colour	orange	Protection degree	IP20 in installed state
Operating altitude	≤ 4000 m		

### Insulation coordination acc. to EN 50178

Surge voltage category	III	Pollution severity	2
------------------------	-----	--------------------	---

### Rated data IEC / EN

Number of poles	1	Leakage current at Un	0.3 mA
Signalling contact	No	Rated voltage (AC)	240 V
Low voltage network	Single-phase, TN	Voltage type	AC
Temporary surge voltage (over-voltage) - TOV	337 V	Fuse protection	No Fuse necessary ≤ 160 A gG

## VPU AC II US 0 240/50 Y

**Weidmüller Interface GmbH & Co. KG**  
 Klingenbergstraße 26  
 D-32758 Detmold  
 Germany

www.weidmueller.com

### Technical data

Response time / fallback time	≤ 25 ns	Frequency range, max.	60 Hz
Frequency range, min.	50 Hz	Standards	IEC61643-11, EN61643-11, UL 1449, NFPA 79, IEC 61643-11, EN 61643-11
Requirements class, acc. to EN 61643-11	T2, T3	Requirements category acc. to IEC 61643-11	Type II
Max. continuous voltage, U <sub>c</sub> (AC)	300 V	Energy coordination (≤10 m)	Type II, Type III
Discharge current I <sub>n</sub> (8/20μs) wire-PE	20 kA	Discharge current I <sub>max</sub> (8/20μs) wire-PE	50 kA
SPD type	T2	Protection level U <sub>p</sub> at IN (L/N-PE)	≤ 1.3 kV
Short-circuit current rating ISCCR	50 kA	Follow-on current extinguishing capability I <sub>fi</sub>	Follow current need not be taken into account
Integrated back-up fuse	No		

### Connection data

Wire connection method	Plug-in connection	Type of connection	Screw connection
Wire cross-section, solid, max.	35 mm <sup>2</sup>	Wire connection cross section, finely stranded, max.	25 mm <sup>2</sup>

### Electrical data

Voltage type	AC
--------------	----

### General data

Number of poles	1	Protection degree	IP20 in installed state
Colour	orange		

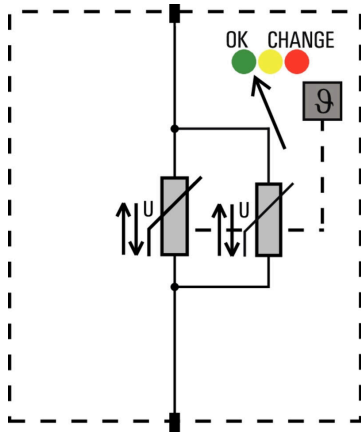
### Guarantee

Time interval	5 years
---------------	---------

### Classifications

ETIM 8.0	EC000941	ETIM 9.0	EC000941
ETIM 10.0	EC000941	ECLASS 14.0	27-17-12-02
ECLASS 15.0	27-17-12-02		

Electric symbol



Schematic circuit diagram

## VPU AC II US 0 240/50 Y

**Weidmüller Interface GmbH & Co. KG**  
 Klingenbergstraße 26  
 D-32758 Detmold  
 Germany

www.weidmueller.com

## Accessories

### Crosshead screwdriver Phillips



VDE insulated crosshead screwdriver, for Phillips screws, SDIK PH DIN 7438, ISO 8764/2-PH, output to ISO 8764-PH, SoftFinish grip

#### General ordering data

Type	SDIK PH1 X 80	Version	
Order No.	<a href="#">2749890000</a>	Screwdriver, Blade width (B): 1 mm, 80 mm, Blade thickness (A): 1	
GTIN (EAN)	4050118897098		
Qty.	1 ST		

### Slotted screwdriver



VDE insulated slot-head screwdriver, SDI DIN 7437, ISO 2380/2, drive output acc. to DIN 5264, ISO 2380/1. SoftFinish grip

#### General ordering data

Type	SDIS 1.0X5.5X125	Version	
Order No.	<a href="#">2749850000</a>	Screwdriver, Blade width (B): 5.5 mm, Blade length: 125 mm, Blade thickness (A): 1 mm	
GTIN (EAN)	4050118897050		
Qty.	1 ST		

### VPU Series



Extensive accessories round off the product range

#### General ordering data

Type	VPU LOCKING CLIP S	Version	
Order No.	<a href="#">2735080000</a>		
GTIN (EAN)	4050118826050		
Qty.	10 ST		