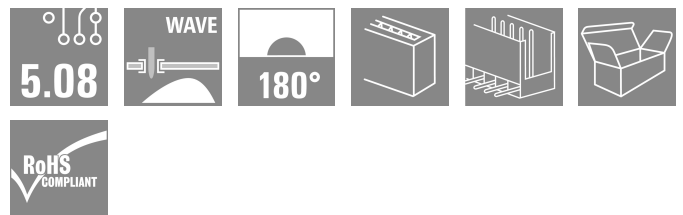


**SLH 5.08/08/180 3.2SN BL BX**

**Weidmüller Interface GmbH & Co. KG**  
Klingenbergstraße 26  
D-32758 Detmold  
Germany

www.weidmueller.com

**Product image****General ordering data**

Version	PCB plug-in connector, male header, open side, THT/THR solder connection, 5.08 mm, Number of poles: 8, 180°, Solder pin length (l): 3.2 mm, tinned, blue, Box
Order No.	<a href="#">2731070000</a>
Type	SLH 5.08/08/180 3.2SN BL BX
GTIN (EAN)	4050118809909
Qty.	42 items
Product data	IEC: 400 V / 13.1 A UL: 300 V / 10 A
Packaging	Box

## SLH 5.08/08/180 3.2SN BL BX

Weidmüller Interface GmbH & Co. KG  
Klingenbergstraße 26  
D-32758 Detmold  
Germany

www.weidmueller.com

## Technical data

## Approvals

Approvals



ROHS Conform  
UL File Number Search [UL Website](#)  
Certificate No. (cURus) E60693

## Dimensions and weights

Depth	13 mm	Depth (inches)	0.5118 inch
Height	25.2 mm	Height (inches)	0.9921 inch
Width	40.64 mm	Width (inches)	1.6 inch
Net weight	6.37 g		

## Environmental Product Compliance

RoHS Compliance Status	Compliant without exemption		
REACH SVHC	No SVHC above 0.1 wt%		
Product Carbon Footprint	Cradle to gate	0.053 kg CO2eq.	

## System specifications

Product family	OMNIMATE Signal - series BL/SL 5.08	Mounting onto the PCB	THT/THR solder connection
Pitch in mm (P)	5.08 mm	Pitch in inches (P)	0.200 "
Outgoing elbow	180°	Number of poles	8
Number of solder pins per pole	1	Solder pin length (l)	3.2 mm
Solder pin length tolerance	+0.1 / -0.3 mm	Solder pin dimensions	d = 1.2 mm, Octagonal
Solder pin dimensions = d tolerance	0 / -0,03 mm	Solder eyelet hole diameter (D)	1.3 mm
Solder eyelet hole diameter tolerance (D)	+ 0,1 mm	Number of rows	1
Pin series quantity	1	Protection degree	IP20
Volume resistance	≤5 mΩ	Can be coded	Yes

## Material data

Insulating material	PA GF	Colour	blue
Colour chart (similar)	RAL 5012	Insulating material group	II
Comparative Tracking Index (CTI)	≥ 550	Moisture Level (MSL)	
UL 94 flammability rating	V-0	Contact material	Cu-alloy
Contact surface	tinned	Layer structure of solder connection	1...3 μm Ni / 2...4 μm Sn matt
Layer structure of plug contact	≥ 1 μm	Storage temperature, min.	-40 °C
Storage temperature, max.	70 °C	Operating temperature, min.	-50 °C
Operating temperature, max.	100 °C		

## Rated data acc. to IEC

Rated current, min. number of poles (Tu=20°C)	13.1 A	Rated current, max. number of poles (Tu=20°C)	10.2 A
Rated current, min. number of poles (Tu=40°C)	11.2 A	Rated current, max. number of poles (Tu=40°C)	8.7 A
Rated voltage for surge voltage class / pollution degree II/2	400 V	Rated voltage for surge voltage class / pollution degree III/2	320 V
Rated voltage for surge voltage class / pollution degree III/3	250 V	Rated impulse voltage for surge voltage class/ pollution degree II/2	4 kV

## SLH 5.08/08/180 3.2SN BL BX

**Weidmüller Interface GmbH & Co. KG**  
 Klingenbergstraße 26  
 D-32758 Detmold  
 Germany

www.weidmueller.com

### Technical data

Rated impulse voltage for surge voltage 4 kV  
 class/ pollution degree III/2

Rated impulse voltage for surge voltage 4 kV  
 class/ contamination degree III/3

#### Rated data acc. to CSA

Rated voltage (Use group B / CSA) 300 V  
 Rated current (Use group B / CSA) 10 A

Rated voltage (Use group D / CSA) 300 V  
 Rated current (Use group D / CSA) 10 A

#### Rated data acc. to UL 1059

Institute (cURus) CURUS  
 Rated voltage (Use group B / UL 1059) 300 V  
 Rated current (Use group B / UL 1059) 10 A  
 Reference to approval values Specifications are maximum values, details - see approval certificate.

Certificate No. (cURus) E60693  
 Rated voltage (Use group D / UL 1059) 300 V  
 Rated current (Use group D / UL 1059) 10 A

#### Packing

Packaging Box VPE length 350.00 mm  
 VPE width 138.00 mm VPE height 30.00 mm

#### Important note

IPC conformity Conformity: The products are developed, manufactured and delivered according international recognized standards and norms and comply with the assured properties in the data sheet resp. fulfill decorative properties in accordance with IPC-A-610 "Class 2". Further claims on the products can be evaluated on request.

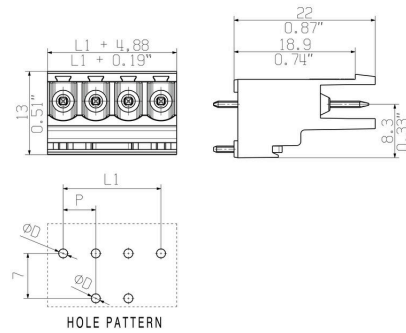
Notes

- Rated current related to rated cross-section & min. No. of poles.
- P on drawing = pitch
- Rated data refer only to the component itself. Clearance and creepage distances to other components are to be designed in accordance with the relevant application standards.
- In accordance with IEC 61984, OMNIMATE-connectors are connectors without breaking capacity (COC). During designated use, connectors are not allowed to be engaged or disengaged when live or under load
- Long term storage of the product with average temperature of 50 °C and maximum humidity 70%, 36 months

#### Classifications

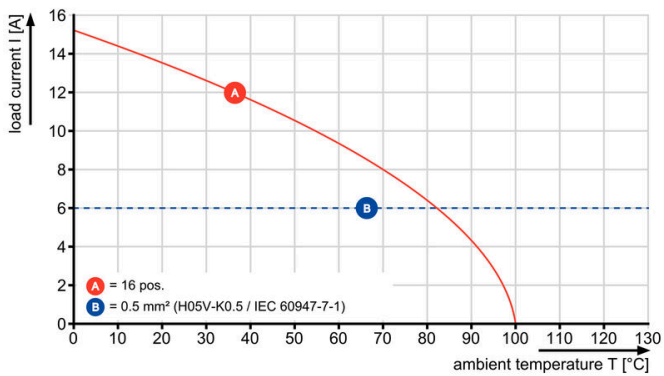
ETIM 8.0	EC002637	ETIM 9.0	EC002637
ETIM 10.0	EC002637	ECLASS 14.0	27-46-02-01
ECLASS 15.0	27-46-02-01		

Dimensional drawing



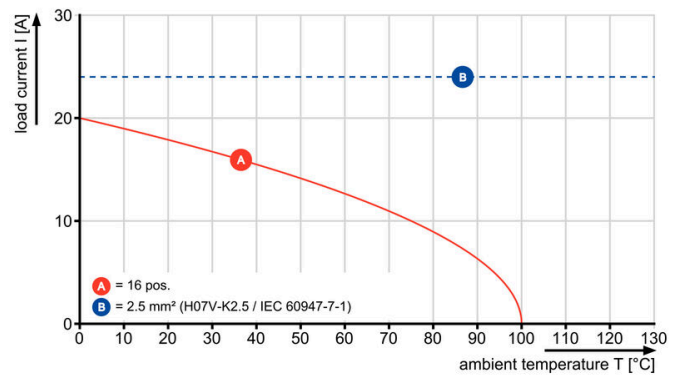
Derating curve

BLZP 5.08HC/./180 - SLH-THR 5.08/./180



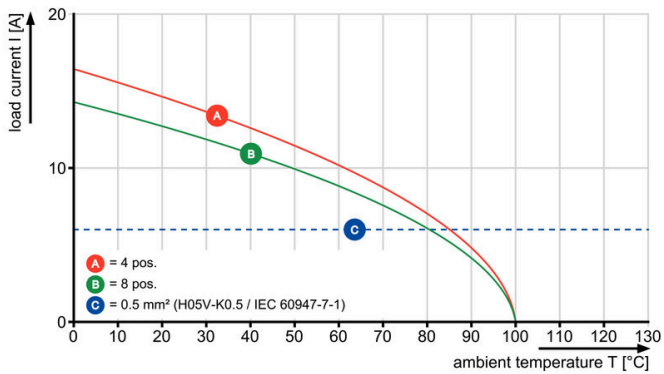
Derating curve

BLZP 5.08HC/./180 - SLH-THR 5.08/./180



Derating curve

BLF 5.08HC/./180 - SLH 5.08/./180G



Derating curve

BLF 5.08HC/./180 - SLH 5.08/./180G

