

IE-BS-M12X-S-C

Weidmüller Interface GmbH & Co. KG
Klingenbergstraße 26
D-32758 Detmold
Germany

www.weidmueller.com



General ordering data

Order No.	2731010000
Type	IE-BS-M12X-S-C
GTIN (EAN)	4050118809282
Qty.	1 items

IE-BS-M12X-S-C

Weidmüller Interface GmbH & Co. KG
 Klingenbergstraße 26
 D-32758 Detmold
 Germany

www.weidmueller.com

Technical data

Approvals

ROHS	Conform
------	---------

Dimensions and weights

Wall thickness, max.	4.5 mm	Net weight	1.7 g
----------------------	--------	------------	-------

Temperatures

Storage temperature	Operating temperature	-40 °C...85 °C
Installation temperature		

Environmental Product Compliance

RoHS Compliance Status	Compliant with exemption
RoHS Exemption (if applicable/known)	6c
REACH SVHC	Lead 7439-92-1
SCIP	9229992a-00b9-4096-8962-200a7f33e289

Technical data customisable plug-in connectors

Number of poles	8	Coding	X-coded
Contact surface	Au (Gold)	Housing main material	Brass, Copper-tin-zinc alloy
Insulation resistance	≥ 100 MΩ	Category	Cat.6A / Class EA (ISO/IEC 11801 2010)
Contact material	CuSn	Nominal voltage	50 V
Protection degree	IP67 plugged	Plugging cycles	≥ 100

General Info

Number of poles	8	Connection 1	M12
Connection 2	M12	Description of article	Coupling
Composition	M12 socket to M12 socket	Wiring	8-core
UL 94 flammability rating	UL 94, V-0	Housing main material	Brass, Copper-tin-zinc alloy
Category	Cat.6A / Class EA (ISO/IEC 11801 2010)	Connection thread	M12 / M12
Contact material	CuSn	Contact surface	Au (Gold)
Contact holder materials	PA UL 94 V0	Shielding material	Zinc diecast, tin plated
Shielding	Yes	Protection degree	IP67 plugged
Plugging cycles	≥ 100		

Electrical properties

Contact resistance	≤ 5 mΩ	
Dielectric strength, contact / shield	≥ 500 V DC	
Dielectric strength, contact / contact	≥ 500 V DC	
Insulation resistance	≥ 100 MΩ	
Nominal voltage	50 V	
Current-carrying capacity	Current-carrying capacity	0.5 A
	Temperature	40 °C
PoE / PoE+	conforming to IEEE 802.3at	
Operational voltage range	50 V AC, 60 V DC	

IE-BS-M12X-S-C

Weidmüller Interface GmbH & Co. KG
 Klingenbergstraße 26
 D-32758 Detmold
 Germany

www.weidmueller.com

Technical data

Standards

Connector standard	IEC 61076-2-109	UL standard for communication accessories	UL 1863
IP protection classes	IEC 60529		

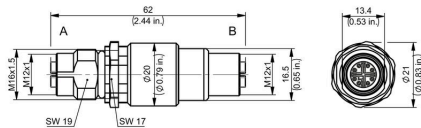
General technical specifications

Number of poles	8	Coding	X-coded
Connection thread	M12 / M12	Contact surface	Au (Gold)
UL 94 flammability rating	UL 94, V-0	Housing main material	Brass, Copper-tin-zinc alloy
Insulation resistance	≥ 100 MΩ	Contact material	CuSn
Nominal voltage	50 V	Protection degree	IP67 plugged
Plugging cycles	≥ 100		

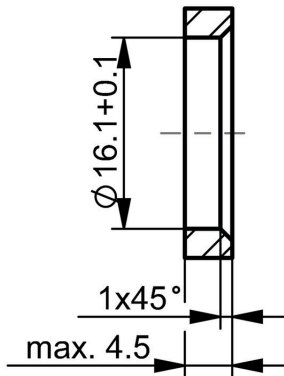
Classifications

ETIM 8.0	EC000313	ETIM 9.0	EC000313
ETIM 10.0	EC000313	ECLASS 14.0	27-44-03-20
ECLASS 15.0	27-44-03-20		

Dimensional drawing

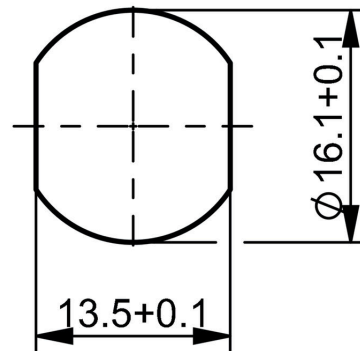


Installation cut-out



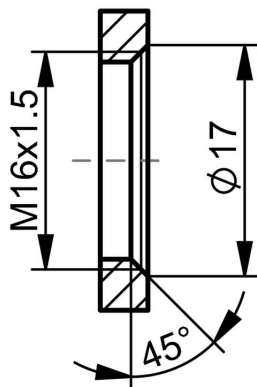
A through hole without twist protection

Installation cut-out



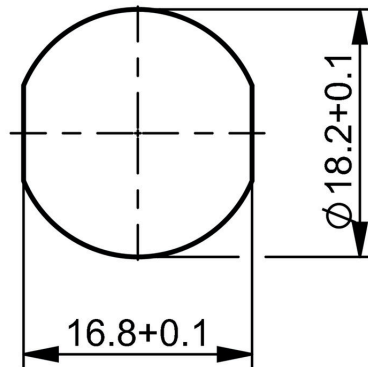
A through hole with twist protection

Installation cut-out



A threaded hole

Installation cut-out



B through hole with twist protection