

VPU AC II US 3 240/50

Weidmüller Interface GmbH & Co. KG
 Klingenbergstraße 26
 D-32758 Detmold
 Germany

www.weidmueller.com



Picture similar

- compact SPD to install in application by NFPA 79
- no additional overcurrent protection devices needed
- short circuit current rating (SCCR) up to 200 kA
- tested according to IEC/EN 61643-11 and UL 1449 4.Ed

General ordering data

| | |
|------------|---|
| Version | Surge voltage arrester, Low voltage, Surge protection, TN-C |
| Order No. | 2730540000 |
| Type | VPU AC II US 3 240/50 |
| GTIN (EAN) | 4050118807561 |
| Qty. | 1 items |

VPU AC II US 3 240/50

Weidmüller Interface GmbH & Co. KG
Klingenbergstraße 26
D-32758 Detmold
Germany

www.weidmueller.com

Technical data

Approvals

Approvals



| | |
|-------------------------|----------------------------|
| ROHS | Conform |
| UL File Number Search | UL Website |
| Certificate no. (cULus) | E354261 |

Dimensions and weights

| | | | |
|--------------------------|-------------|-----------------------------|-------------|
| Depth | 68 mm | Depth (inches) | 2.6772 inch |
| Depth including DIN rail | 76 mm | Height | 90 mm |
| Height (inches) | 3.5433 inch | Width | 54 mm |
| Width (inches) | 2.126 inch | Mounting dimension - height | 75 mm |
| Net weight | 363 g | | |

Temperatures

| | | | |
|-----------------------|----------------|---------------------|-----------------------|
| Storage temperature | -40 °C...85 °C | Ambient temperature | -40 °C...85 °C |
| Operating temperature | -40 °C...85 °C | Humidity | 5 - 95% rel. humidity |

Environmental Product Compliance

| | |
|------------------------|-----------------------------|
| RoHS Compliance Status | Compliant without exemption |
| REACH SVHC | No SVHC above 0.1 wt% |

Rated data UL

| | | | |
|---|--------|------------------------------------|-------------|
| Ambient temperature (operational), max. | 85 °C | Rated Voltage UN | 240 V |
| MCOV (L-PE) | 300 V | SCCR | 150 kA |
| In | 20 kA | Category | SPD TYPE 1 |
| Connection cross-section AWG, min. | AWG 14 | Connection cross-section AWG, max. | AWG 6 |
| Ambient temperature (operational), min. | -40 °C | MODE | all modes |
| VPR (L-L) | 1800 V | VPR (L-PE) | 900 V |
| Voltage type | AC | UL Energy Networks | 3-phase WYE |

Connection data, remote alert

| | |
|-----------------|---------|
| Connection type | PUSH IN |
|-----------------|---------|

General data

| | | | |
|---------------------------|---|---------------|--|
| Optical function display | green = OK; red = arrester is defective - replace | Segment | Power distribution |
| Version | Surge protection | Design | Installation housing; 3TE, Insta IP 20 |
| UL 94 flammability rating | V-0 | Colour | orange, black |
| Protection degree | IP20 in installed state | Mounting rail | TS 35 |
| Operating altitude | ≤ 4000 m | | |

Insulation coordination acc. to EN 50178

| | | | |
|------------------------|-----|--------------------|---|
| Surge voltage category | III | Pollution severity | 2 |
|------------------------|-----|--------------------|---|

VPU AC II US 3 240/50

Weidmüller Interface GmbH & Co. KG

Klingenbergstraße 26

D-32758 Detmold

Germany

www.weidmueller.com

Technical data

Rated data IEC / EN

| | | | |
|--|---|---|---|
| Number of poles | 3 | Leakage current at Un | 0.5 mA |
| Signalling contact | No | Rated voltage (AC) | 240 V |
| Low voltage network | TN-C | Voltage type | AC |
| Temporary surge voltage (over-voltage) - TOV | 337 V | Fuse protection | No Fuse necessary ≤ 315 A gG, 250 A gG @50 kA Isccr, 315 A gG @25 kA Isccr |
| Response time / fallback time | ≤ 25 ns | Frequency range, max. | 60 Hz |
| Frequency range, min. | 50 Hz | Standards | IEC 61643-11, EN 61643-11, UL 1449, NFPA 79 |
| Requirements class, acc. to EN 61643-11 | T2, T3 | Requirements category acc. to IEC 61643-11 | Type II |
| Max. continuous voltage, U _c (AC) | 300 V | Mains voltage | 230 V / 400 V |
| Energy coordination (≤ 10 m) | Type II, Type III | Discharge current I _n (8/20 μ s) wire-PE | 20 kA |
| Discharge current I _{max} (8/20 μ s) wire-PE | 50 kA | SPD type | T2 |
| Protection level Up at IN (L/N-PE) | ≤ 1.5 kV | Short-circuit current rating ISCCR | 50 kA |
| Follow-on current extinguishing capability I _{fi} | Follow current need not be taken into account | Integrated back-up fuse | No |

Connection data

| | | | |
|--|--------------------|--|---------------------|
| Stripping length | 18 mm | Wire connection method | Screw connection |
| Type of connection | Screw connection | Stripping length, rated connection | 18 mm |
| Tightening torque, min. | 3 Nm | Tightening torque, max. | 4.5 Nm |
| Clamping range, rated connection | 16 mm ² | Clamping range, min. | 1.5 mm ² |
| Clamping range, max. | 35 mm ² | Wire connection cross section AWG, min. | AWG 16 |
| Wire connection cross section AWG, max. | AWG 2 | Wire cross-section, solid, min. | 1.5 mm ² |
| Wire cross-section, solid, max. | 35 mm ² | Wire connection cross section, finely stranded, min. | 1.5 mm ² |
| Wire connection cross section, finely stranded, max. | 25 mm ² | Conductor cross-section, flexible, AEH (DIN 46228-1), min. | 2.5 mm ² |
| Conductor cross-section, flexible, AEH (DIN 46228-1), max. | 35 mm ² | Connection cross-section, stranded, min. | 1.5 mm ² |
| Connection cross-section, stranded, max. | 35 mm ² | | |

Electrical data

| | |
|--------------|----|
| Voltage type | AC |
|--------------|----|

General data

| | | | |
|-----------------|---------------|-------------------|-------------------------|
| Number of poles | 3 | Protection degree | IP20 in installed state |
| Colour | orange, black | | |

Ratings IECEx/ATEX/cUL

| | |
|-------------------------|---------|
| Certificate no. (cULus) | E354261 |
|-------------------------|---------|

Guarantee

| | |
|---------------|---------|
| Time interval | 5 years |
|---------------|---------|

VPU AC II US 3 240/50

Weidmüller Interface GmbH & Co. KG
Klingenbergstraße 26
D-32758 Detmold
Germany

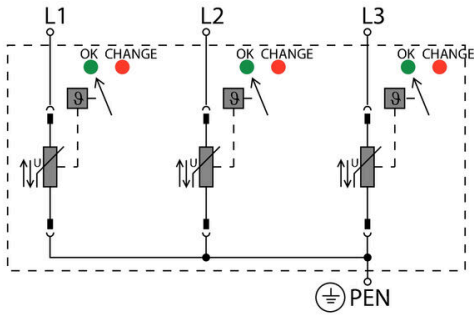
www.weidmueller.com

Technical data

Classifications

| | | | |
|-------------|-------------|-------------|-------------|
| ETIM 8.0 | EC000941 | ETIM 9.0 | EC000941 |
| ETIM 10.0 | EC000941 | ECLASS 14.0 | 27-17-12-02 |
| ECLASS 15.0 | 27-17-12-02 | | |

Electric symbol



Schematic circuit diagram