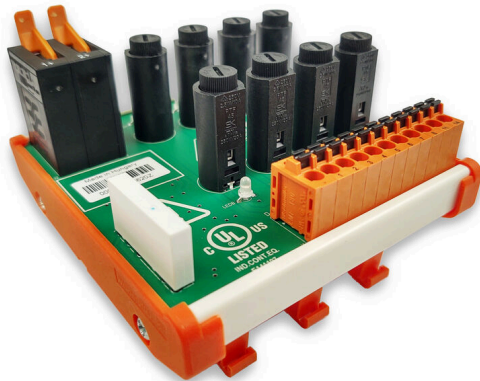


RS VERT 8P 24VDC Z UL V1

Weidmüller Interface GmbH & Co. KG
Klingenbergstraße 26
D-32758 Detmold
Germany

www.weidmueller.com



Distributor module with 1 voltage potential (1+,2+) in 8 channels protected by fuses for push-in connection.

General ordering data

Version	1 P, PUSH IN
Order No.	2727410000
Type	RS VERT 8P 24VDC Z UL V1
GTIN (EAN)	4064675000433
Qty.	1 items

RS VERT 8P 24VDC Z UL V1

Weidmüller Interface GmbH & Co. KG

Klingenbergstraße 26

D-32758 Detmold

Germany

www.weidmueller.com

Technical data

Approvals

Approvals



ROHS Conform

UL File Number Search [UL Website](#)

Certificate no. (cULus) E141197

Dimensions and weights

Depth	102 mm	Depth (inches)	4.0157 inch
Height	78.2 mm	Height (inches)	3.0787 inch
Width	108.2 mm	Width (inches)	4.2598 inch
Net weight	201 g		

Temperatures

Storage temperature	-25...60 °C	Operating temperature	-25...60 °C
Humidity at operating temperature	0...85% (no condensation)		

Environmental Product Compliance

RoHS Compliance Status	Compliant with exemption		
RoHS Exemption (if applicable/known)	7a, 7cI		
REACH SVHC	Lead 7439-92-1		
SCIP	7b5ffb72-271d-4c73-8b09-bd0aaee3697a		

Connection data

Number of potentials	1	Distribution PCB connectors	LMF 5.08mm
Supply plug-in connectors	LUF 10.00mm		

Rating data

Operating voltage	24 V DC \pm 25%	Maximum current per distributor connection	9.5 A
Total operating current	76.5 A	Switching capacity (resistive) relay DC, max.	4.5 W @ 30 V
Switching power relay, min.	1 mA @ 1 V		

Insulation coordination (IEC/UL61010-1 & IEC/UL61010-2-201)

Rated insulation voltage	50 V AC / 70 V DC	Surge voltage category	II
Pollution severity	2	Insulation test voltage AC	0.86 kV

Insulation coordination (EN 60664-1)

Rated insulation voltage	50 V AC / 70 V DC	Surge voltage category	II
Insulation test voltage AC	0.86 kV		

Connection field

Min. wire cross-section, AWG	AWG 12	Type of connection	PUSH IN
Clamping range, max.	0.12 mm ²	Clamping range, min.	2.5 mm ²
Max. wire cross-section, AWG	AWG 24		

RS VERT 8P 24VDC Z UL V1

Weidmüller Interface GmbH & Co. KG
Klingenbergstraße 26
D-32758 Detmold
Germany

www.weidmueller.com

Technical data**Supply connection**

Type of connection	PUSH IN	Clamping range, min.	0.5 mm ²
Clamping range, max.	16 mm ²	Wire cross-section, min. AWG	AWG 20
Wire cross-section, max. AWG	AWG 6		

Classifications

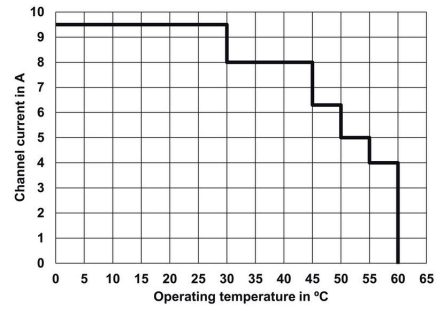
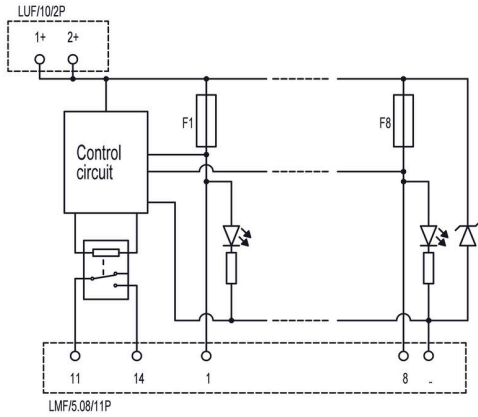
ETIM 8.0	EC002780	ETIM 9.0	EC002780
ETIM 10.0	EC002780	ECLASS 14.0	27-14-11-52
ECLASS 15.0	27-14-11-52		

RS VERT 8P 24VDC Z UL V1

Weidmüller Interface GmbH & Co. KG
Klingenbergstraße 26
D-32758 Detmold
Germany

Drawings

www.weidmueller.com



RS VERT 8P 24VDC Z UL V1

Weidmüller Interface GmbH & Co. KG
Klingenbergstraße 26
D-32758 Detmold
Germany

Accessories

www.weidmueller.com

Fuses



General ordering data

Type	RS-FUSE 5X20 4A250V F	Version
Order No.	2780640000	
GTIN (EAN)	4064675052807	
Qty.	10 ST	
Type	RS-FUSE 5X20 5A250V F	Version
Order No.	2780730000	
GTIN (EAN)	4064675053330	
Qty.	10 ST	
Type	RS-FUSE 5X20 6.3A250V F	Version
Order No.	2780740000	
GTIN (EAN)	4064675053347	
Qty.	10 ST	
Type	RS-FUSE 5X20 8A250V F	Version
Order No.	2780750000	
GTIN (EAN)	4064675053354	
Qty.	10 ST	
Type	RS-FUSE 5X20 10A250V F	Version
Order No.	2780760000	
GTIN (EAN)	4064675053361	
Qty.	10 ST	