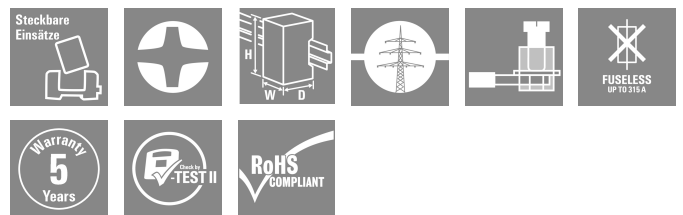


VPU AC I 3+1 R 275/25 LCF S 2PE

Weidmüller Interface GmbH & Co. KG
 Klingenbergstraße 26
 D-32758 Detmold
 Germany

www.weidmuller.com



Weidmüller VPU I (Type I), VPU II (Type II) and VPU III (Type III) surge protection products effectively reduce the interference coupling that can occur due to transient surge voltages, even significantly below the limits prescribed by insulation co-ordination according to EN 60664-3 / DIN VDE 0110-3. This means that the whole installation is exposed to fewer malfunctions. The arresters are co-ordinated using technical means. This means that decoupling between Types I, II and III is unnecessary. The arresters are tested according to product standard IEC 61643-11 / DIN EN 61643-11 and can be installed in systems according to IEC 61643-12 / VDE 0675-6-12 and IEC 62305-4 / VDE 0185-4. This lightning and surge protection device is suited for installation in power supply systems. Weidmüller offers different products depending on the particular mains network type and voltage level. A special Type I and Type II protective device is even available for photovoltaic applications.

General ordering data

Version	Surge voltage arrester, Low voltage, Surge protection, Leakage-current-free, with remote contact, TN-C-S, TN-S, TT, IT with N, IT without N
Order No.	2726770000
Type	VPU AC I 3+1 R 275/25 LCF S 2PE
GTIN (EAN)	4050118802511
Qty.	1 items

VPU AC I 3+1 R 275/25 LCF S 2PE

Weidmüller Interface GmbH & Co. KG
 Klingenbergstraße 26
 D-32758 Detmold
 Germany

www.weidmueller.com

Technical data

Approvals

Approvals



ROHS Conform

Dimensions and weights

Depth	91 mm	Depth (inches)	3.5827 inch
Height	104.5 mm	Height (inches)	4.1142 inch
Width	72 mm	Width (inches)	2.8346 inch
Net weight	679 g		

Temperatures

Storage temperature	-40 °C...85 °C	Ambient temperature	...85 °C
Operating temperature	-40 °C...85 °C	Humidity	5 - 95% rel. humidity

Environmental Product Compliance

RoHS Compliance Status	Compliant without exemption
REACH SVHC	No SVHC above 0.1 wt%

Connection data, remote alert

Cross-section for connected wire, solid core, min.	0.14 mm ²	Stripping length	8 mm
Connection type	PUSH IN	Cross-section for connected wire, solid core, max.	1.5 mm ²

General data

Optical function display	green = OK; red = arrester is defective - replace	Segment	Power distribution
Version	Surge protection, Leakage-current-free, with remote contact	Design	Installation housing; 4TE, Insta IP 20
UL 94 flammability rating	V-0	Colour	black, orange, blue
Protection degree	IP20 in installed state	Mounting rail	TS 35
Operating altitude	≤ 2000 m		

Insulation coordination acc. to EN 50178

Surge voltage category	IV	Pollution severity	2
------------------------	----	--------------------	---

Rated data IEC / EN

Number of poles	4	Leakage current at Un	1 µA
Signalling contact	250 V 1A 1CO	Rated voltage (AC)	230 V
Low voltage network	TN-C-S, TN-S, TT, IT with N, IT without N	Protection level Up at IN (N-PE)	≤ 1.5 kV
Voltage type	AC	Temporary surge voltage (over-voltage) - 442 V TOV	
Response time / fallback time	<100 ns	Frequency range, max.	60 Hz
Frequency range, min.	50 Hz	Standards	IEC 61643-11, EN 61643-11

VPU AC I 3+1 R 275/25 LCF S 2PE

Weidmüller Interface GmbH & Co. KG

Klingenbergstraße 26
D-32758 Detmold
Germany

www.weidmueller.com

Technical data

Lightning test current limp (10/350 µs) (L-PE)	25 kA	Lightning test current, limp (10/350 µs) (N-PE)	100 kA
Requirements class, acc. to EN 61643-11	T1, T2	Requirements category acc. to IEC 61643-11	Type I, Type II
Max. continuous voltage, U _c (AC)	275 V	Max. continuous voltage, U _c (N-PE)	305 V
Note follow current capability	No tripping of a 16 A gG fuse up to prospective 50 kA _{eff}	Mains voltage	230 V / 400 V
Discharge current I _{max} (8/20µs) N-PE	150 kA	Discharge current I _n (8/20µs) N-PE	100 kA
Energy coordination (≤10 m)	Type I, Type II, Type III	Discharge current I _n (8/20µs) wire-PE	25 kA
Discharge current I _{max} (8/20µs) wire-PE	65 kA	Protection level Up at IN (L/N-PE)	≤ 1.5 kV
Short-circuit current rating ISCCR	50 kA	Follow-on current extinguishing capability I _{fi}	50 kA
Integrated back-up fuse	No	PE conductor current I _{PE}	1 µA

Connection data

Stripping length	18 mm	Wire connection method	Screw connection
Type of connection	Screw connection	Stripping length, rated connection	18 mm
Tightening torque, min.	3 Nm	Tightening torque, max.	4.5 Nm
Clamping range, rated connection	16 mm ²	Clamping range, min.	1.5 mm ²
Clamping range, max.	35 mm ²	Wire cross-section, solid, min.	2.5 mm ²
Wire cross-section, solid, max.	35 mm ²	Wire connection cross section, finely stranded, min.	2.5 mm ²
Wire connection cross section, finely stranded, max.	25 mm ²	Conductor cross-section, flexible, AEH (DIN 46228-1), min.	2.5 mm ²
Conductor cross-section, flexible, AEH (DIN 46228-1), max.	35 mm ²	Connection cross-section, stranded, min.	2.5 mm ²
Connection cross-section, stranded, max.	35 mm ²		

Electrical data

Voltage type	AC
--------------	----

General data

Number of poles	4	Protection degree	IP20 in installed state
Colour	black, orange, blue		

Guarantee

Time interval	5 years
---------------	---------

Important note

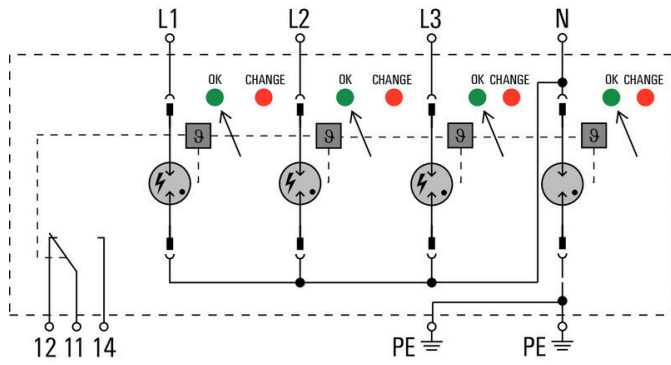
Product information	Only applicable to IT power systems where the earth on the distribution transformer is interconnected with the earth on the consumer side (RE=RA in Figure 44.A1 of IEC 60634-4-44:2018). For use in DC applications, please use the fuse of SIBA Type NH2XL aR/aSF DC 1500 V
---------------------	---

Classifications

ETIM 8.0	EC001457	ETIM 9.0	EC001457
ETIM 10.0	EC001457	ECLASS 14.0	27-17-12-04
ECLASS 15.0	27-17-12-04		

Drawings

Electric symbol



Schematic circuit diagram