

IE-BHD-SPE-M8-OT-FP**Weidmüller Interface GmbH & Co. KG**Klingenbergstraße 26
D-32758 Detmold
Germany

www.weidmueller.com



SPElink®

**Single Pair Ethernet PCB sockets**

Single pair Ethernet is a technology that only requires one pair of wires to transmit data and power.

The resulting benefits will make SPE the preferred network at the field level and beyond.

Advantages of Single Pair Ethernet:

- Consistent: Single Pair Ethernet enables uniform Ethernet-based communication from the sensor to the cloud
- Future-proof: key technology for Industry 4.0 and IIoT
- Flexible: ranges of up to 1000 m and transmission properties of up to 1 Gbps enable use across applications
- Innovative: lighter, less space required, and reduced installation effort

General ordering data

Version	PCB, M8 socket housing, IP67, Frontpanel mounting
Order No.	2726020000
Type	IE-BHD-SPE-M8-OT-FP
GTIN (EAN)	4050118810776
Qty.	10 items

IE-BHD-SPE-M8-OT-FP

Weidmüller Interface GmbH & Co. KG
Klingenbergstraße 26
D-32758 Detmold
Germany

www.weidmueller.com

Technical data

Approvals

ROHS	Conform
------	---------

Dimensions and weights

Height	18 mm	Height (inches)	0.7087 inch
Width	14.2 mm	Width (inches)	0.5591 inch
Net weight	3 g		

Temperatures

Storage temperature	Operating temperature	-40 °C...85 °C
Installation temperature		

Environmental Product Compliance

RoHS Compliance Status	Compliant
REACH SVHC	No SVHC above 0.1 wt%

System specifications

Number of poles	2	Product family	Industrial Ethernet
Protection degree	IP67		

Electrical properties

Insulation resistance	≥ 500 MΩ
-----------------------	----------

Standards

Connector standard	IEC 61076-2-104, IEC 63171-5
--------------------	------------------------------

Material data

Colour	silver	Colour chart (similar)	RAL 7001
Insulation resistance	≥ 500 MΩ	UL 94 flammability rating	V-0
Operating temperature, min.	-40 °C	Operating temperature, max.	85 °C

Packing

VPE length	90.00 mm	VPE width	25.00 mm
VPE height	15.00 mm		

Important note

Notes

Classifications

ETIM 8.0	EC001031	ETIM 9.0	EC001031
ETIM 10.0	EC001031	ECLASS 14.0	27-19-01-04
ECLASS 15.0	27-19-01-04		

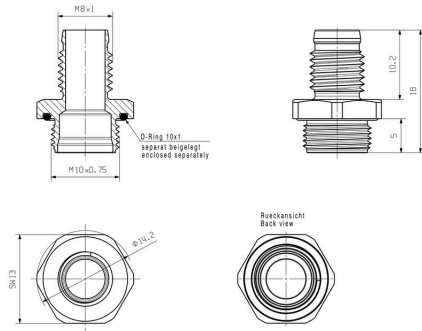
IE-BHD-SPE-M8-OT-FP

Weidmüller Interface GmbH & Co. KG
Klingenbergstraße 26
D-32758 Detmold
Germany

Drawings

www.weidmueller.com

Dimensioned drawing



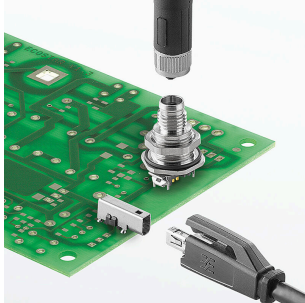
IE-BHD-SPE-M8-OT-FP

Weidmüller Interface GmbH & Co. KG
 Klingenbergstraße 26
 D-32758 Detmold
 Germany

www.weidmueller.com

Accessories

SPE Connectors



Single Pair Ethernet PCB sockets

Single pair Ethernet is a technology that only requires one pair of wires to transmit data and power.

The resulting benefits will make SPE the preferred network at the field level and beyond.

Advantages of Single Pair Ethernet:

- Consistent: Single Pair Ethernet enables uniform Ethernet-based communication from the sensor to the cloud
- Future-proof: key technology for Industry 4.0 and IIoT
- Flexible: ranges of up to 1000 m and transmission properties of up to 1 Gbps enable use across applications
- Innovative: lighter, less space required, and reduced installation effort

General ordering data

Type	IE-BHD-SPE-FP-CN-M10X0....	Version
Order No.	2739640000	Locknut, PCB, M8 socket housing
GTIN (EAN)	4050118829617	
Qty.	10 ST	