

HDC 10B TSS 1M32 WMP**Weidmüller Interface GmbH & Co. KG**

Klingenbergstraße 26

D-32758 Detmold

Germany

www.weidmueller.com

Our flange-mounted housings made of plastic have a built-in cable gland and a screw interlock. They seal directly onto the panel wall and can therefore be used without an attachment housing. The housings are impressive with their low weight and optimal protection against contamination, water and vibrations.

General ordering data

Version	HDC enclosures, Installation size: 4, Protection degree: IP66, IP67, in plugged condition, Cable entry from side, Screw, , Size of cable entries: M 32
Order No.	2716760000
Type	HDC 10B TSS 1M32 WMP
GTIN (EAN)	4050118803631
Qty.	1 items

HDC 10B TSS 1M32 WMP

Weidmüller Interface GmbH & Co. KG
 Klingenbergstraße 26
 D-32758 Detmold
 Germany

www.weidmueller.com

Technical data

Approvals

Approvals



ROHS	Conform
UL File Number Search	UL Website
Certificate No. (cURus)	E223801

Dimensions and weights

Height	97 mm	Height (inches)	3.8189 inch
Net weight	149 g		

Temperatures

Ambient temperature	-40 °C...100 °C
---------------------	-----------------

Environmental Product Compliance

RoHS Compliance Status	Compliant without exemption
REACH SVHC	No SVHC above 0.1 wt%

Cable Gland WMP

Cable diameter, min.	11 mm	Cable diameter, max.	21 mm
AF size	30 mm	Size of cable entries	M 32

Dimensions

Cable entry	w. cable glands	Height of housing B	97 mm
-------------	-----------------	---------------------	-------

General data

UL 94 flammability rating	V-0	Surface finish	untreated
Protection degree	IP66, IP67, in plugged condition		

Version

Number of cable glands	1	Size of cable entries	M 32
Top part/bottom part/lid	upper part	Cover	without cover
Tightening torque	3 Nm	Number of cable entry sideways	1
Design of housing	Cable entry from side	Design of locking system	Screw
Installation size	4	Cable entry	w. cable glands
Sealing	NBR	Colour (RAL)	RAL 9011
BG	4	Suitable for ModuPlug®	Yes

Classifications

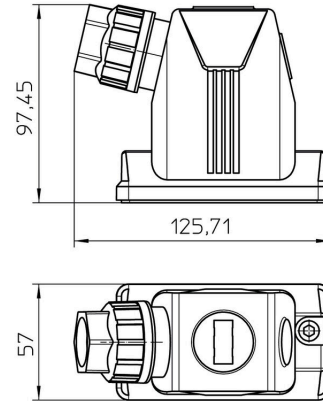
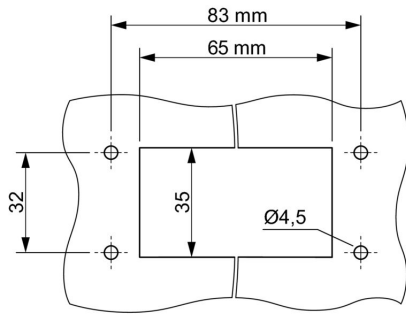
ETIM 8.0	EC000437	ETIM 9.0	EC000437
ETIM 10.0	EC000437	ECLASS 14.0	27-44-02-02
ECLASS 15.0	27-44-02-02		

HDC 10B TSS 1M32 WMP

Weidmüller Interface GmbH & Co. KG
Klingenbergstraße 26
D-32758 Detmold
Germany

Drawings

www.weidmueller.com



HDC 10B TSS 1M32 WMP

Weidmüller Interface GmbH & Co. KG
 Klingenbergstraße 26
 D-32758 Detmold
 Germany

Accessories

www.weidmueller.com

Mounting brackets



Our flange-mounted housings made of plastic have a built-in cable gland and a screw interlock. They seal directly onto the panel wall and can therefore be used without an attachment housing. The housings are impressive with their low weight and optimal protection against contamination, water and vibrations.

General ordering data

Type	HDC AF SET WM	Version
Order No.	2716800000	HDC enclosures, Installation size: , Protection degree:
GTIN (EAN)	4050118803679	
Qty.	1 ST	
Type	HDC AF WM	Version
Order No.	2716790000	HDC enclosures, Installation size: , Protection degree:
GTIN (EAN)	4050118803662	
Qty.	20 ST	