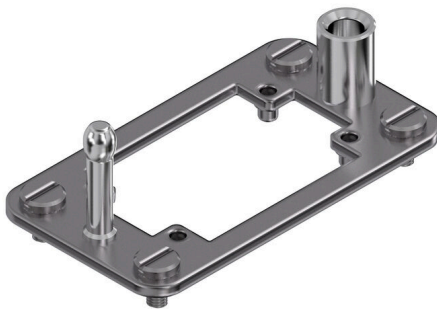


HDC MDF 10B

Weidmüller Interface GmbH & Co. KG
Klingenbergstraße 26
D-32758 Detmold
Germany

www.weidmueller.com



General ordering data

Order No.	2708500000
Type	HDC MDF 10B
GTIN (EAN)	4064675006848
Qty.	1 items

Technical data

Approvals

ROHS	Conform
------	---------

Dimensions and weights

Depth	55 mm	Depth (inches)	2.1654 inch
Height	44.05 mm	Height (inches)	1.7342 inch
Width	99 mm	Width (inches)	3.8976 inch
Net weight	35 g		

Environmental Product Compliance

RoHS Compliance Status	Compliant without exemption
REACH SVHC	No SVHC above 0.1 wt%

Important note

Product information	Floating on both sides, an offset of ± 2 mm can be compensated. Floating on one side, an offset of ± 1 mm can be compensated.
---------------------	--

Classifications

ETIM 8.0	EC002312	ETIM 9.0	EC002312
ETIM 10.0	EC002312	ECLASS 14.0	27-44-02-92
ECLASS 15.0	27-44-02-92		

Drawings

