

## D-SUB M6.3 T09VB 3.2B4 TY BK

Weidmüller Interface GmbH & Co. KG  
Klingenbergstraße 26  
D-32758 Detmold  
Germany

www.weidmueller.com

### Product image



The product range encompasses the following designs:

- 90°, lying (horizontal) and 180°, standing (vertical)
- Flange design as drilled hole, UNC 4-40 threaded nut and UNC 4-40 threaded bolt
- Stamped contacts (Rated current: 3 A)
- THT soldering process
- Wide range of different design types, also with snap-on clip
- Packed in tray (TY)
- Extended temperature range of -55 °C to +85 °C for maximum performance
- Design in accordance with IEC 60807-3 (IEC 807-3) and DIN 41652

### General ordering data

|                 |  |
|-----------------|--|
| Version         | OMNIMATE Data - D-SUB connector, male header, Thread-bolt UNC 4-40, THT solder connection, Pitch in mm (P): 2.77 mm, Number of poles: 9, ≥ 50 µ" Ni / 100 µ" Sn , 500, PBT GF, black, Tray |
| Order No.       | <a href="#">2707230000</a>   |
| Type            | D-SUB M6.3 T09VB 3.2B4 TY BK   |
| GTIN (EAN)      | 4050118810066  |
| Qty.            | 90 items   |
| Packaging       | Tray   |
| Delivery status | This article will no longer be available in the future.  |
| Available until | 2024-08-31T00:00:00+02:00  |

Creation date 25.02.2026 06:09:54 MEZ

Catalogue status / Drawings

**D-SUB M6.3 T09VB 3.2B4 TY BK**

**Weidmüller Interface GmbH & Co. KG**  
 Klingenbergstraße 26  
 D-32758 Detmold  
 Germany

www.weidmueller.com

**Technical data****Approvals**

Approvals



|                       |                            |
|-----------------------|----------------------------|
| ROHS                  | Conform                    |
| UL File Number Search | <a href="#">UL Website</a> |
| Certificate No. (UR)  | E92202                     |

**Dimensions and weights**

|            |          |                 |             |
|------------|----------|-----------------|-------------|
| Depth      | 12.55 mm | Depth (inches)  | 0.4941 inch |
| Height     | 12.96 mm | Height (inches) | 0.5102 inch |
| Width      | 30.81 mm | Width (inches)  | 1.213 inch  |
| Net weight | 5 g      |                 |             |

**Environmental Product Compliance**

|                        |                             |
|------------------------|-----------------------------|
| RoHS Compliance Status | Compliant without exemption |
| REACH SVHC             | No SVHC above 0.1 wt%       |

**System specifications**

|                                  |                                  |                       |                      |
|----------------------------------|----------------------------------|-----------------------|----------------------|
| Number of poles                  | 9                                | Solder pin length (l) | 3.5 mm               |
| Mounting onto the PCB            | THT solder connection            | Pitch in inches (P)   | 0.109 "              |
| Shielding material               | Steel                            | Shielding             | 360°; shield contact |
| Side termination, characteristic | Thread-bolt UNC 4-40             | Type of connection    | Solder connection    |
| Product family                   | OMNIMATE Data - D-SUB connector  | Pitch in mm (P)       | 2.77 mm              |
| Protection degree                | IP10                             | Plugging cycles       | 500                  |
| Outgoing elbow                   | 180°                             | Shield surface        | tinned               |
| Soldering process                | Manual soldering, Wave soldering | Solder pin dimensions | Octagonal            |
| Tolerance of solder pin position | ± 0.1 mm                         |                       |                      |

**Electrical properties**

|  |           |                       |           |
|--|-----------|-----------------------|-----------|
| Dielectric strength, contact / contact | 1000 V AC | Insulation resistance | ≥ 1000 MΩ |
| Nominal voltage                        | 250 V     | Rated current         | 3 A       |

**Material data**

|                                 |                       |                                      |                        |
|---------------------------------|-----------------------|--------------------------------------|------------------------|
| Insulating material             | PBT GF                | Colour                               | black                  |
| Colour chart (similar)          | RAL 9011              | Insulation resistance                | ≥ 1000 MΩ              |
| Moisture Level (MSL)            |                       | UL 94 flammability rating            | V-0                    |
| Contact base material           | Cu-alloy              | Contact material                     | Copper alloy           |
| Contact surface                 | Gold over nickel      | Layer structure of solder connection | ≥ 50 μ" Ni / 100 μ" Sn |
| Layer structure of plug contact | ≥ 50 μ" Ni / 30 μ" Au | Operating temperature, min.          | -55 °C                 |
| Operating temperature, max.     | 105 °C                |                                      |                        |

**Packing**

|           |           |            |           |
|-----------|-----------|------------|-----------|
| Packaging | Tray      | VPE length | 299.00 mm |
| VPE width | 251.00 mm | VPE height | 16.00 mm  |

## D-SUB M6.3 T09VB 3.2B4 TY BK

**Weidmüller Interface GmbH & Co. KG**  
Klingenbergstraße 26  
D-32758 Detmold  
Germany

[www.weidmueller.com](http://www.weidmueller.com)

## Technical data

### Important note

Notes

### Classifications

|             |             |             |             |
|-------------|-------------|-------------|-------------|
| ETIM 8.0    | EC002637    | ETIM 9.0    | EC002637    |
| ETIM 10.0   | EC002637    | ECLASS 14.0 | 27-46-02-01 |
| ECLASS 15.0 | 27-46-02-01 |             |             |

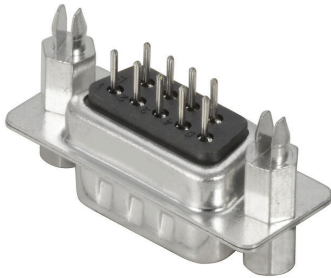
**D-SUB M6.3 T09VB 3.2B4 TY BK**

**Weidmüller Interface GmbH & Co. KG**  
Klingenbergstraße 26  
D-32758 Detmold  
Germany

[www.weidmueller.com](http://www.weidmueller.com)

**Drawings**

**Product image**

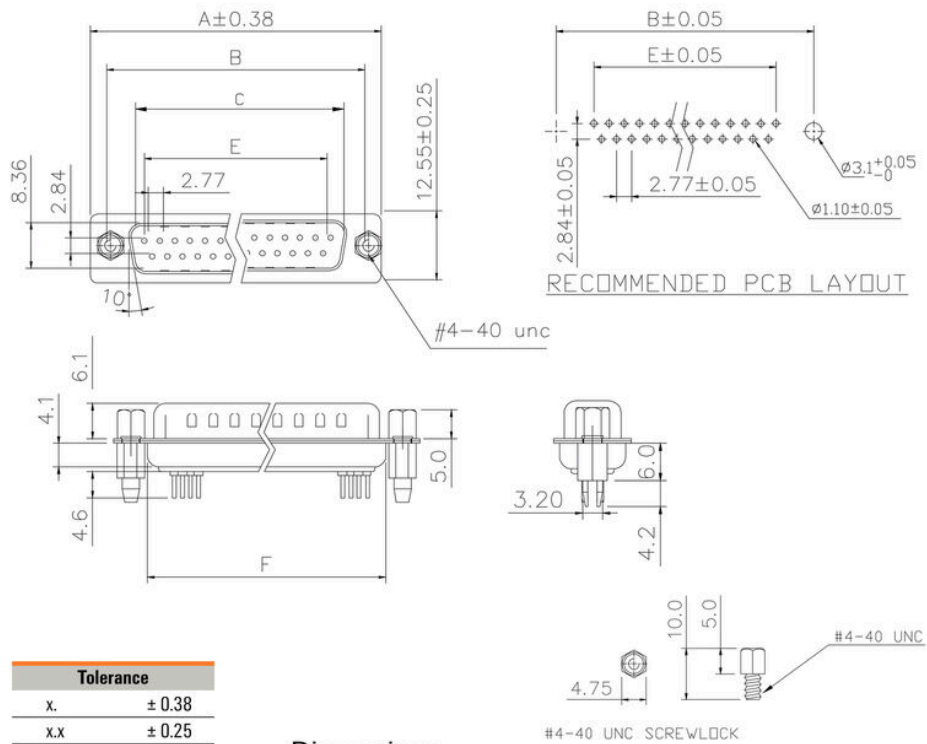


**D-SUB M6.3 T09VB 3.2B4 TY BK**

**Weidmüller Interface GmbH & Co. KG**  
 Klingenbergstraße 26  
 D-32758 Detmold  
 Germany

Drawings

www.weidmueller.com



| Tolerance |        |
|-----------|--------|
| x.        | ± 0.38 |
| x.x       | ± 0.25 |
| x.xx      | ± 0.13 |
| DIM       | TOL    |
| x.        | ± 3°   |
| x.x       | ± 1°   |
| Angle     | TOL    |

Dimensions

| No. of poles | A     | B     | C     | E     | E     |
|--------------|-------|-------|-------|-------|-------|
| 9            | 30.81 | 24.99 | 16.92 | 11.08 | 19.20 |
| 15           | 39.20 | 33.30 | 25.25 | 19.39 | 27.70 |
| 25           | 53.05 | 47.04 | 38.96 | 33.24 | 41.10 |