

IE-PS-RJ45-FH-180-P-1.6-CG

Weidmüller Interface GmbH & Co. KG
Klingenbergstraße 26
D-32758 Detmold
Germany

www.weidmueller.com



RJ45 plug-in connector (no tools required) according to IEC 60603-7-51.

General ordering data

Version	RJ45 plug with piercing contacts, straight, Cable gland, Cat.5 (ISO/IEC 11801), PROFINET
Order No.	2703420000
Type	IE-PS-RJ45-FH-180-P-1.6-CG
GTIN (EAN)	4050118734959
Qty.	1 items

IE-PS-RJ45-FH-180-P-1.6-CG

Weidmüller Interface GmbH & Co. KG
Klingenbergstraße 26
D-32758 Detmold
Germany

www.weidmueller.com

Technical data

Approvals

Approvals



ROHS Conform
UL File Number Search [UL Website](#)
Certificate no. (cULus) E471884

Dimensions and weights

Net weight 23.86 g

Temperatures

Storage temperature Operating temperature -40 °C...85 °C
Installation temperature

Environmental Product Compliance

RoHS Compliance Status Compliant without exemption
REACH SVHC No SVHC above 0.1 wt%

General data

Outlet direction	straight	Connection 1	RJ45
Connection 2	Piercing	Wiring	PROFINET
Housing main material	Zinc diecast, nickel-plated	Insulation cross-section, min.	1.1 mm
Insulation cross-section, max.	1.6 mm	Category	Cat.5 (ISO/IEC 11801)
Contact surface	Gold over nickel	Connection diameter, solid	0.51...0.64 mm
Conductor connection cross-section, solid (AWG)	AWG 24...AWG 22	Connection diameter, flexible	0.46...0.76 mm
Conductor connection cross-section, flexible (AWG)	AWG 27...AWG 22	Conductor connection cross-section, extremely flexible	0.61...0.78 mm, Approval of the cable by Weidmüller necessary
Conductor connection cross-section, extremely flexible (AWG)	AWG 24...AWG 22, Approval of the cable by Weidmüller necessary	Note, very finely stranded line connection	Approval of the cable by Weidmüller necessary
Sheath diameter, min.	5 mm	Sheath diameter, max.	9 mm
Shielding	360°; all-round enclosure	Protection degree	IP20
Plugging cycles	750	Ability to reconnect	≤ 4 cycles (with the same cross-section)

Electrical properties

Contact resistance	≤ 20 mΩ	Dielectric strength, contact / shield	≥ 1500 V AC/DC
Dielectric strength, contact / contact	≥ 1000 V AC/DC	Insulation resistance	≥ 500 MΩ
Current-carrying capacity at 50 °C	1 A	PoE / PoE+	conforming to IEEE 802.3at

General standards

Certificate No. (DNV)	TAE00003EW	Connector standard	IEC 60603-7-51
Certificate no. (cULus)	E471884		

Technical data

Classifications

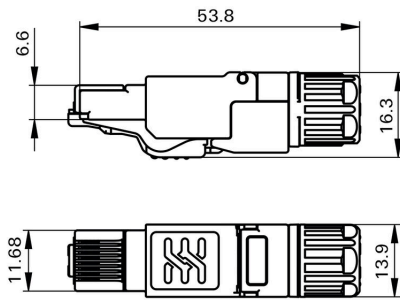
ETIM 8.0	EC001121	ETIM 9.0	EC001121
ETIM 10.0	EC001121	ECLASS 14.0	27-44-03-90
ECLASS 15.0	27-44-03-90		

IE-PS-RJ45-FH-180-P-1.6-CG

Weidmüller Interface GmbH & Co. KG
Klingenbergstraße 26
D-32758 Detmold
Germany

www.weidmueller.com

Drawings



IE-PS-RJ45-FH-180-P-1.6-CG

Weidmüller Interface GmbH & Co. KG
 Klingenbergstraße 26
 D-32758 Detmold
 Germany

www.weidmueller.com

Accessories

Pressing tool



When working with live voltages, you must follow special guidelines and use special tools - tools which have been specially produced and tested for this purpose.

Weidmüller offers a complete line of pliers which comply with national and international testing standards.

All pliers are produced and tested according to DIN EN 60900.

The pliers are ergonomically designed to fit to the hand form, and thus feature an improved hand position. The fingers are not pressed together - this results in less fatigue during operation.

General ordering data

Type	PWZ RJ45	Version	
Order No.	1118040000	Pressing tools	
GTIN (EAN)	4032248899197		
Qty.	1 ST		

Dust caps

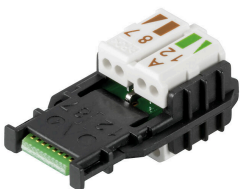


For protecting your devices against dust and dirt.

General ordering data

Type	IE-PP-RJ45	Version	
Order No.	2552580000		
GTIN (EAN)	4050118562583		
Qty.	10 ST		

Substitute wire manager



RJ45 plug-in connector (no tools required) according to IEC 60603-7-51.

IE-PS-RJ45-FH-180-P-1.6-CG

Weidmüller Interface GmbH & Co. KG
 Klingenbergstraße 26
 D-32758 Detmold
 Germany

www.weidmueller.com

Accessories

General ordering data

Type	IE-PI-RJ45-FH-A-1.6	Version
Order No.	1992880000	Substitute wire manager, RJ45, Cat.6A / Class EA (ISO/IEC 11801
GTIN (EAN)	4050118378030	2010), EIA/TIA T568 A
Qty.	30 ST	
Type	IE-PI-RJ45-FH-B-1.6	Version
Order No.	1992900000	Substitute wire manager, RJ45, Cat.6A / Class EA (ISO/IEC 11801
GTIN (EAN)	4050118378146	2010), EIA/TIA T568 B
Qty.	30 ST	
Type	IE-PI-RJ45-FH-P-1.6	Version
Order No.	1992910000	Substitute wire manager, RJ45, Cat.5 (ISO/IEC 11801), PROFINET
GTIN (EAN)	4050118378047	
Qty.	30 ST	
Type	IE-PI-RJ45-FH-A-1.1	Version
Order No.	1992920000	Substitute wire manager, RJ45, Cat.6A / Class EA (ISO/IEC 11801
GTIN (EAN)	4050118377965	2010), EIA/TIA T568 A
Qty.	30 ST	
Type	IE-PI-RJ45-FH-B-1.1	Version
Order No.	1992930000	Substitute wire manager, RJ45, Cat.6A / Class EA (ISO/IEC 11801
GTIN (EAN)	4050118378139	2010), EIA/TIA T568 B
Qty.	30 ST	