

SAIBWC-M-4D-4/9-M12-CG

Weidmüller Interface GmbH & Co. KG

Klingenbergstraße 26

D-32758 Detmold

Germany

www.weidmueller.com



Individual cable lengths are often required nowadays. In order to meet these demands, Weidmüller offers a wide range of plug-in connectors for custom assembly.

Male plugs and female socket for customisable assembly for M8, M12, M16 and 7/8" connections which are highly robust and ideally suited to machine engineering, for instance. The M12 plug-in connectors offer a choice of 5 different connection systems.

The crimp connection is characterised by high functional reliability. With this connection technology, the conductor is crimped to the contact and then engaged in the contact carrier. The connection between the conductor and crimp is vibration-resistant and boasts long-term stability. Crimp contacts are to be ordered separately.

General ordering data

Version	Field attachable connector, M12
Order No.	2702700000
Type	SAIBWC-M-4D-4/9-M12-CG
GTIN (EAN)	4050118765311
Qty.	1 items

SAIBWC-M-4D-4/9-M12-CG

Weidmüller Interface GmbH & Co. KG
 Klingenbergstraße 26
 D-32758 Detmold
 Germany

www.weidmueller.com

Technical data

Approvals

ROHS	Conform
------	---------

Dimensions and weights

Diameter	14 mm	Net weight	20.5 g
----------	-------	------------	--------

Environmental Product Compliance

RoHS Compliance Status	Compliant with exemption
RoHS Exemption (if applicable/known)	6c
REACH SVHC	Lead 7439-92-1
SCIP	ebf89fc8-a87f-4691-b87a-dfb9921774b4

Technical data customisable plug-in connectors

Number of poles	4	Coding	D-coded
Contact surface	Gold-plated	LED	No
Type of connection	Crimp connection	Housing main material	Cu alloy Ni plated
Cable diameter, max.	9 mm	Cable diameter, min.	4 mm
Conductor cross-section, max.	0.82 mm ²	Conductor cross-section, min.	0.08 mm ²
Nominal voltage	50 V	Nominal current	2 A
Protection degree	IP67	Plugging cycles	≥ 200
Gender of contact	Female	Shield connection	Yes
Threaded ring material	Brass, nickel-plated	Temperature range of housing	-40 ... +85 °C

General Info

Number of poles	4	Connection 1	M12
Connection 2	Crimp	UL 94 flammability rating	V-0
Housing main material	Cu alloy Ni plated	Connection thread	M12
Contact surface	Gold-plated	Wire connection cross section, finely stranded, min.	0.08 mm ²
Wire connection cross section, finely stranded, max.	0.82 mm ²	Protection degree	IP67
Plugging cycles	≥ 200		

Electrical properties

Nominal voltage	50 V
-----------------	------

General standards

Connector standard	IEC 61076-2-101
--------------------	-----------------

Standards

Connector standard	IEC 61076-2-101	Fire safety for railway vehicles	EN 45545 HL3
Shock and vibration proof according to	EN 50155:2001, DIN EN 61373		

Classifications

ETIM 8.0	EC002635	ETIM 9.0	EC002635
ETIM 10.0	EC002635	ECLASS 14.0	27-44-01-16
ECLASS 15.0	27-44-01-16		

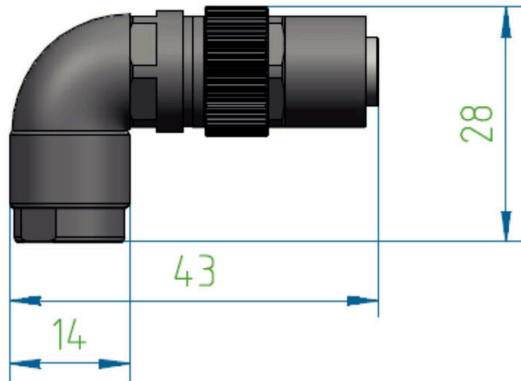
SAIBWC-M-4D-4/9-M12-CG

Weidmüller Interface GmbH & Co. KG
Klingenbergstraße 26
D-32758 Detmold
Germany

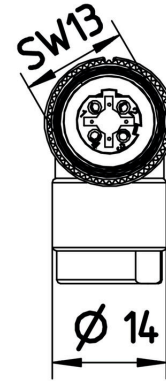
www.weidmueller.com

Drawings

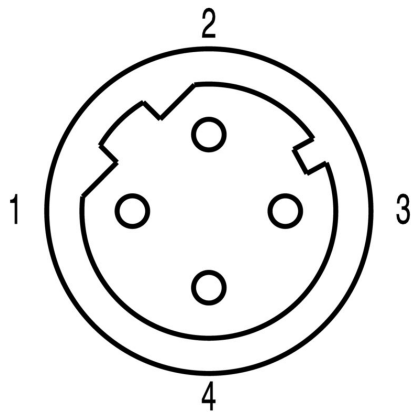
Dimensioned drawing



Dimensioned drawing



Pole scheme



SAIBWC-M-4D-4/9-M12-CG

Weidmüller Interface GmbH & Co. KG
 Klingenbergstraße 26
 D-32758 Detmold
 Germany

www.weidmueller.com

Accessories

Shield cable gland



Individual cable lengths are often required nowadays. In order to meet these demands, Weidmüller offers a wide range of plug-in connectors for custom assembly. Male plugs and female socket for customisable assembly for M8, M12, M16 and 7/8" connections which are highly robust and ideally suited to machine engineering, for instance. The M12 plug-in connectors offer a choice of 5 different connection systems.

The crimp connection is characterised by high functional reliability. With this connection technology, the conductor is crimped to the contact and then engaged in the contact carrier. The connection between the conductor and crimp is vibration-resistant and boasts long-term stability.

Crimp contacts are to be ordered separately.

General ordering data

Type	SAI-M12-KBC-18/20	Version
Order No.	2664860000	Contact
GTIN (EAN)	4050118755206	
Qty.	100 ST	
Type	SAI-M12-KBC-20/22	Version
Order No.	2664870000	Contact
GTIN (EAN)	4050118755213	
Qty.	100 ST	
Type	SAI-M12-KBC-22/24	Version
Order No.	2673730000	Contact
GTIN (EAN)	4050118754599	
Qty.	100 ST	
Type	SAI-M12-KBC-26/28	Version
Order No.	2673740000	Contact
GTIN (EAN)	4050118755084	
Qty.	100 ST	

...for M12



Weidmüller offers a wide range of tools and accessories for sensor-actuator cabling.

General ordering data

Type	SAI-TMCSK	Version
Order No.	1381690000	Pressing tool, 4-indent crimp
GTIN (EAN)	4050118183870	
Qty.	1 ST	